

Product designation				Enclosed rotary cam switch	
Product type designation				GX32	
<b>General characteristics</b>					
Switching diagram				12 - Star-delta motor starter switch	
N° of elements				4	
Mounting form				P - Plastic enclosure with black handle	
<b>Contact characteristics</b>					
Rated insulation voltage $U_i$	IEC/EN	V	690		
	UL/CSA	V	600		
Rated impulse withstand voltage $U_{imp}$			kV	6	
Conventional free air thermal current $I_{th}$	IEC/EN	A	32		
	UL/CSA	A	32		
Rated operational voltage			V	440	
Rated operational impulse voltage			kV	4	
Maximum fuse size for short-circuit protection $I_n$ (gG)	10kA	A	35		
	15kA	A	35		
	25kA	A	35		
Rated short time current $I_{cw}$			1s	A	
			1000		
Conductivity				10/5 mA/V	
Operational current $I_e$ IEC/EN	AC1/AC21A		A	32	
	AC15				
		110V	A	25	
		220/230V	A	20	
		380/400V	A	10	
		660/690V	A	2	
Rated operational power in AC	Three-phase AC-3				
			220/230V	kW	7.5
			380/440V	kW	11
			500/690V	kW	11
	Single-phase AC-3				
			110V	kW	1.8
			220/230V	kW	3.5
			380/440V	kW	5.5
	Three-phase AC23A				
			220/230V	kW	8
			380/440V	kW	15
			500/690V	kW	15
Single-phase AC23A					
		110V	kW	2.2	
		220/230V	kW	3.5	
		380/440V	kW	6	

Rated operational current in DC  
DC21A

48V	A	32
60V	A	32
110V	A	5
220V	A	0.8
440V	A	0.25

DC23A (poles in series)

24V	A	32 (1)
48V	A	32 (2)
60V	A	32 (3)
110V	A	15 (3)
220V	A	12 (4)

DC13

24V	A	32
48V	A	25
60V	A	14
110V	A	3
220V	A	0.5
440V	A	0.15

Power dissipation	W	1.6
-------------------	---	-----

**Mechanical features**

Terminals screw	M4
-----------------	----

Tightening torque for terminals max	Nm	1.2
-------------------------------------	----	-----

Conductor size

AWG - Rigid cable

min	AWG	16
Max	AWG	8

AWG - Flexible cable

min	AWG	16
Max	AWG	10

Conductor size (IEC) - Flexible cable

min	mm <sup>2</sup>	1.5
Max	mm <sup>2</sup>	6

Conductor size (IEC) - Rigid cable

min	mm <sup>2</sup>	1.5
Max	mm <sup>2</sup>	10

Mechanical life	cycles	1X10 <sup>6</sup>
-----------------	--------	-------------------

**UL technical data**

Motor power for direct-on-line control

for three-phase motor

120V	HP	3
240V	HP	7.5
480V	HP	15
600V	HP	15

for single-phase motor

120V	HP	1.5
240V	HP	3

**Ambient conditions**

Temperature

Operating temperature

min	°C	-25
max	°C	+55

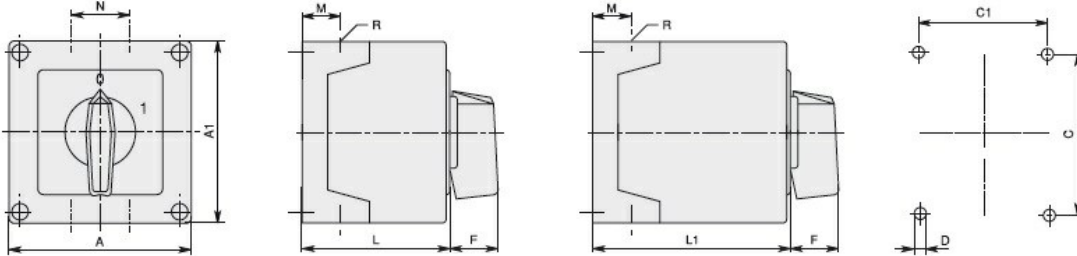
Storage temperature

min °C -40  
max °C +70

**Resistance & Protection**

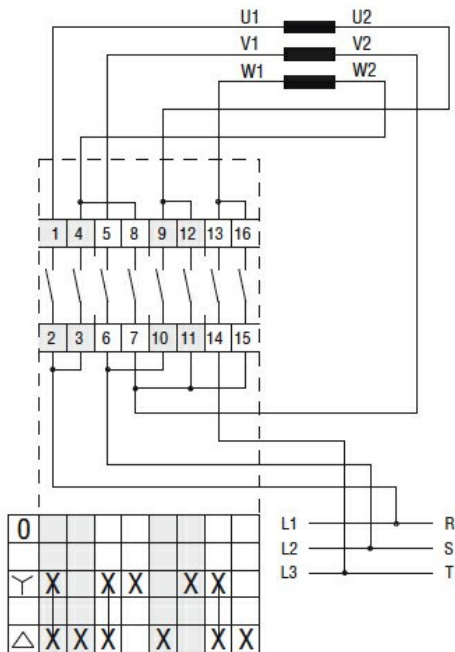
Frontal IP degree	IP65
Terminals IP degree	IP20

**Dimensions**



GX16	90x90	1-2	3-5	90	90	79	79	4.5	25	19	30	71.3	98.3	4xPG16	IP65
GX20		1-2	3-5												
GX16	110x110	1-3	4-7	110	110	98.4	83	4.5	32	21	39.5	85.5	119.5	4xPG21	IP65
GX20		1-3	4-7												
GX32		1-2	3-4												
GX40		1-2	3-4												

**Wiring diagrams**



**Certifications and compliance**

**Compliance**

- IEC/EN/BS 60947-1
- IEC/EN/BS 60947-3
- IEC/EN/BS 60947-5-1
- IEC/EN/BS 61058-1

**Certificates**

EAC

**ETIM classification**

ETIM 8.0

EC001029 -  
Selector switch,  
complete