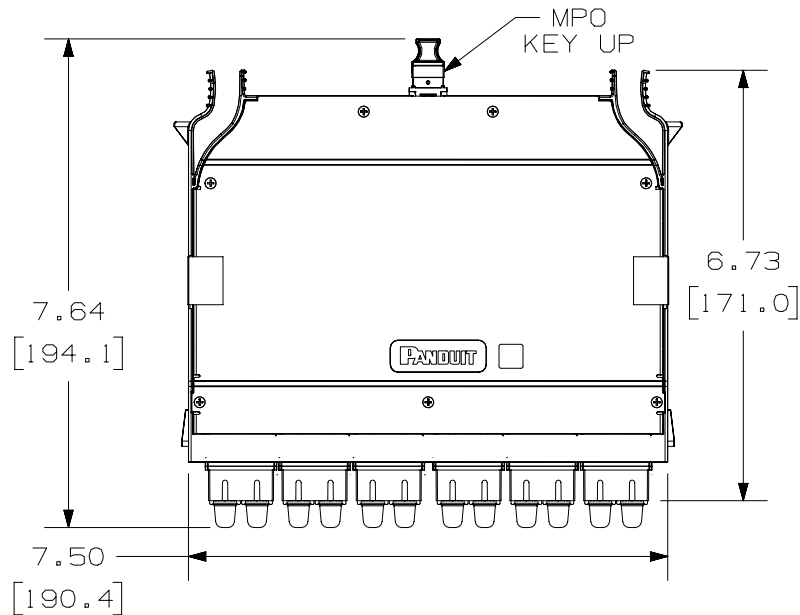


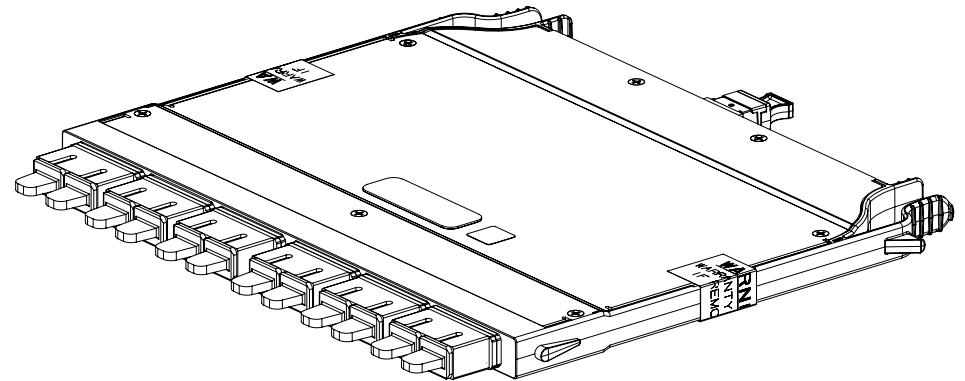
THIS COPY IS PROVIDED ON A RESTRICTED BASIS AND IS NOT TO BE USED IN ANY WAY DETRIMENTAL TO THE INTERESTS OF PANDUIT CORP.

FIBER POSITION 1 2 3 4 5 6 7 8 9 10 11 12



NOTES:

1. VISIT OUR ON-LINE CATALOG AT WWW.PANDUIT.COM FOR A LIST OF CURRENT PARTS APPLICABLE FOR USE WITH THIS PRODUCT.
2. DIMENSIONS IN [] ARE METRIC.
3. ALL MATERIALS AND COMPONENTS USED MEET THE MATERIAL RESTRICTIONS OF RoHS (EUROPEAN DIRECTIVE 2011/65/EU ON THE RESTRICTION OF HAZARDOUS SUBSTANCES) AS PROPOSED BY THE RoHS TECHNICAL ADAPTATION COMMITTEE.
4. CASSETTE WIRING COMPLIES WITH ANSI/TIA-568-C.0 SEE ANSI/TIA-568-C.0 FOR POLARITY DETAILS AND AN EXAMPLE OF A BASIC LINK.
5. CASSETTE WEIGHT: 6.3oz (178g)



FIBER POSITION 1 2 3 4 5 6 7 8 9 10 11 12



	FIBER POSITION FROM SC END TO MPO END											
MPO	1	2	3	4	5	6	7	8	9	10	11	12
AS	1	2	3	4	5	6	7	8	9	10	11	12
AF	2	1	4	3	6	5	8	7	10	9	12	11
U	1	12	2	11	3	10	4	9	5	8	6	7

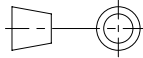
PART NUMBER		SEE SHEET 2	
TITLE			
HD FLEX CASSETTE, 6-PORT DUPLEX SC TO 12-FIBER MPO			
CUSTOMER DRAWING			
ITEM REVISION NAME		17F999SC/00	
DATASET FILE NAME		17F999SC_DC/00C	
MATERIAL		THIRD ANGLE PROJECTION	
DRAWING NUMBER		17F999SC-DC	
DRAWN BY	DATE	CHK	SCALE
SAT	03-19-19	WJM	NONE
SHEET 1 OF 1		SIZE A	

REV	DATE	BY	CHK	APR	DESCRIPTION	ECN
00C	03-30-21	SAT	WJM	EJH	A. UPDATED SC/APC P/N's.	17F999SC-DC
00B	03-21-19	SAT	WJM	EJH	INITIAL RELEASE	17F999SC-DC

A-SIZE CUSTOMER

THIS COPY IS PROVIDED ON A RESTRICTED BASIS AND IS NOT TO BE USED IN ANY WAY DETRIMENTAL TO THE INTERESTS OF PANDUIT CORP.

PART NUMBER	DESCRIPTION
FHCXN-12-03AS	OM3 HD FLEX CASSETTE, 6-PORT DUPLEX SC TO (1) 12-FIBER MPO, METHOD A
FHCXN-12-03AF	OM3 HD FLEX CASSETTE, 6-PORT DUPLEX SC TO (1) 12-FIBER MPO, METHOD A FLIPPED
FHCXN-12-03U	OM3 HD FLEX CASSETTE, 6-PORT DUPLEX SC TO (1) 12-FIBER MPO, UNIVERSAL METHOD
FHCZN-12-03AS	OM4 HD FLEX CASSETTE, 6-PORT DUPLEX SC TO (1) 12-FIBER MPO, METHOD A
FHCZN-12-03AF	OM4 HD FLEX CASSETTE, 6-PORT DUPLEX SC TO (1) 12-FIBER MPO, METHOD A FLIPPED
FHCZN-12-03U	OM4 HD FLEX CASSETTE, 6-PORT DUPLEX SC TO (1) 12-FIBER MPO, UNIVERSAL METHOD
FHC9N-12-03AS	OS2 HD FLEX CASSETTE, 6-PORT DUPLEX SC TO (1) 12-FIBER MPO, METHOD A
FHC9N-12-03AF	OS2 HD FLEX CASSETTE, 6-PORT DUPLEX SC TO (1) 12-FIBER MPO, METHOD A FLIPPED
FHC9N-12-03U	OS2 HD FLEX CASSETTE, 6-PORT DUPLEX SC TO (1) 12-FIBER MPO, UNIVERSAL METHOD
FHC9N-12-3GAS	OS2 HD FLEX CASSETTE, 6-PORT DUPLEX SC/APC TO (1) 12-FIBER MPO, METHOD A
FHC9N-12-3GAF	OS2 HD FLEX CASSETTE, 6-PORT DUPLEX SC/APC TO (1) 12-FIBER MPO, METHOD A FLIPPED
FHC9N-12-3GU	OS2 HD FLEX CASSETTE, 6-PORT DUPLEX SC/APC TO (1) 12-FIBER MPO, UNIVERSAL METHOD

PART NUMBER		SEE TABLE	
TITLE			
HD FLEX CASSETTE, 6-PORT DUPLEX SC TO 12-FIBER MPO		CUSTOMER DRAWING	
ITEM REVISION NAME		17F999SC/00	
DATASET FILE NAME		17F999SC_DC/00C	
		THIRD ANGLE PROJECTION	
MATERIAL		DRAWING NUMBER	
		17F999SC-DC	
DRAWN BY	DATE	CHK	SCALE
SAT	03-19-19	WJM	NONE
SHEET 1 OF 1			SIZE
			A

SEE SHEET 1 FOR REVISION HISTORY

REV	DATE	BY	CHK	APR	DESCRIPTION	ECN

B

B

A

A

A-SIZE CUSTOMER