

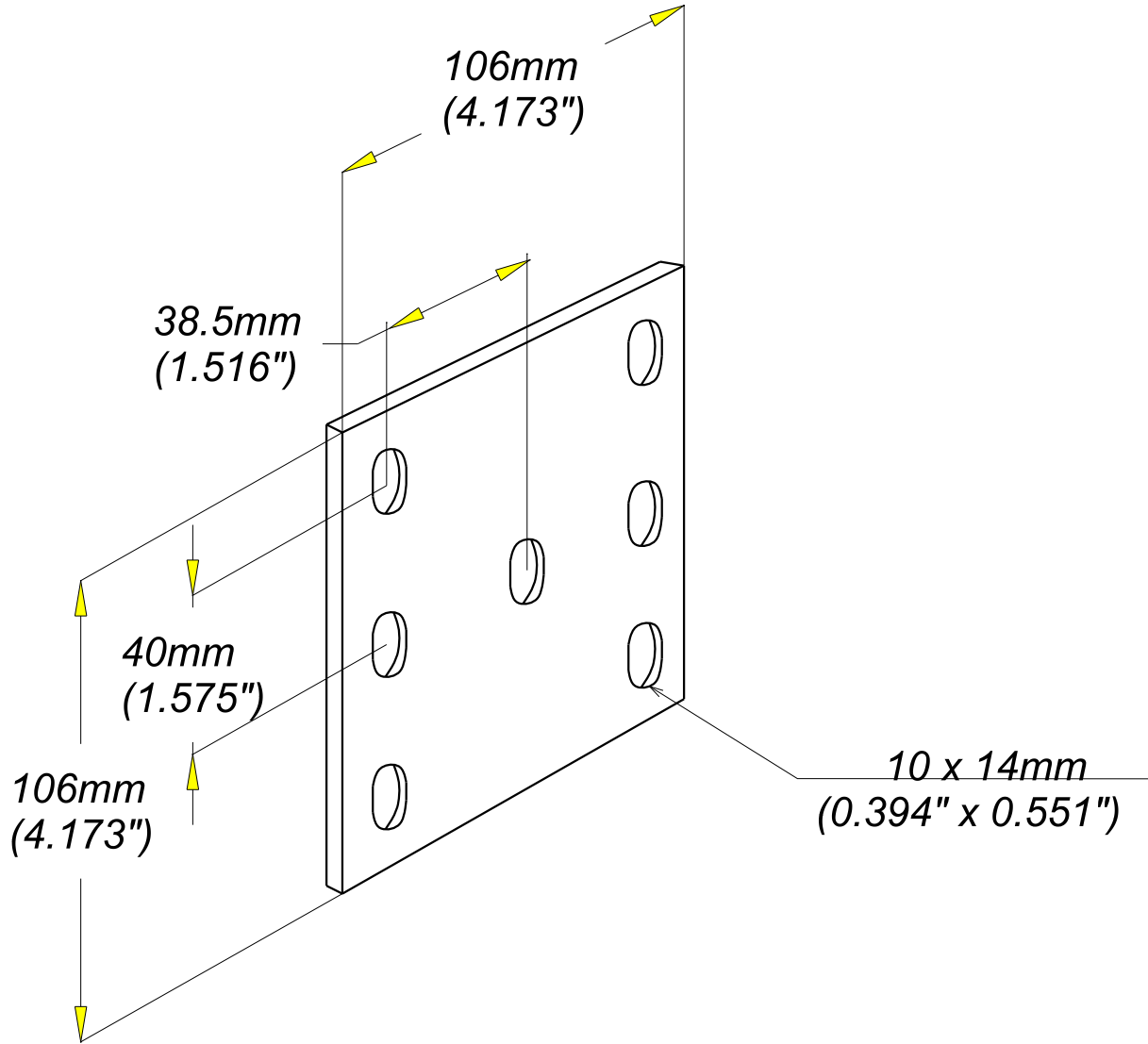
**ENTRETOISE ERD 10**  
**ERD 10 SHIM PLATE**

**GS**  
**PG**

**legrand®** | CABLE  
 MANAGEMENT

FT0228-0

02 16



| REF   | CODE    | POIDS<br>(Kg) | WEIGHT<br>(lb) |
|-------|---------|---------------|----------------|
| ERD10 | 561 050 | 0.170         | 0.380          |

| EPAISSEUR / THICKNESS |
|-----------------------|
| 1.2 (0.05")           |

| Material        | Standard  |
|-----------------|-----------|
| DX51D Z 275 MAC | EN 10 346 |