

Part number

MHV 10 G25



Hood, C-TYPE series, with 2 levers, M25 top cable entry, size "57.27"

Product description

| | |
|---------------------|------------------------|
| Product type | Hood |
| Series | C-TYPE |
| Closing type | With 2 levers |
| Size | Size "57.27" |
| Cable entry | Top cable entry M25 |

Technical data

| | |
|--------------------------------|-------------------------------|
| IP degree of protection | IP66 (and IP69 DIN 40050 - 9) |
|--------------------------------|-------------------------------|

Further technical details

| | |
|-----------------------------------------------|----------------|
| Weight | 242,00 g |
| Operating temperature range (min, max) | -40°C...+125°C |

Material properties

| | |
|------------------------------|---------------|
| Colour | RAL 7040 grey |
| RoHs conformity | Compliant |
| China RoHs - EFUP | E |
| REACH SVHC substances | No |

Approvals / Standards

| | |
|-----------------------|------------|
| Certifications | DNV-GL, BV |
| UL | ECBT2 |
| cUL | ECBT8 |

General ordering information

| | |
|-------------------|---------------|
| EAN13 code | 8015747055482 |
| eCl@ss 8.1 | 27440202 |
| ETIM 7.0 | EC000437 |

Packaging Information

| | |
|----------------------------------|----------------------|
| Packaging length | 150,00 mm |
| Packaging height | 160,00 mm |
| Packaging width | 300,00 mm |
| Packaging weight | 2,45 kg |
| Packaging volume | 7,20 dm ³ |
| Packaging description | Carton box |
| Packaging quantity | 10 Pcs |
| Packaging EAN code | 8015747055499 |
| Sub-packaging weight | 1,23 kg |
| Sub-packaging description | Plastic packaging |
| Sub-packaging quantity | 5 Pcs |
| Sub-packaging EAN barcode | 8015747055505 |

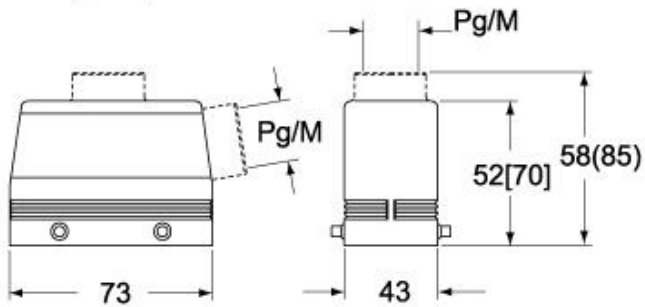
Part number

MHV 10 G25

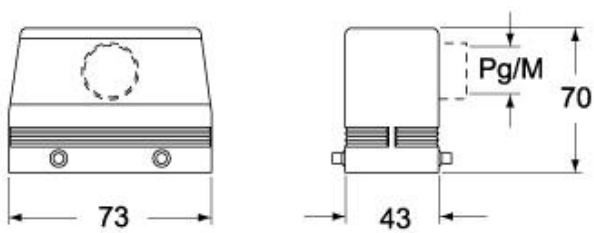


Catalogue drawings

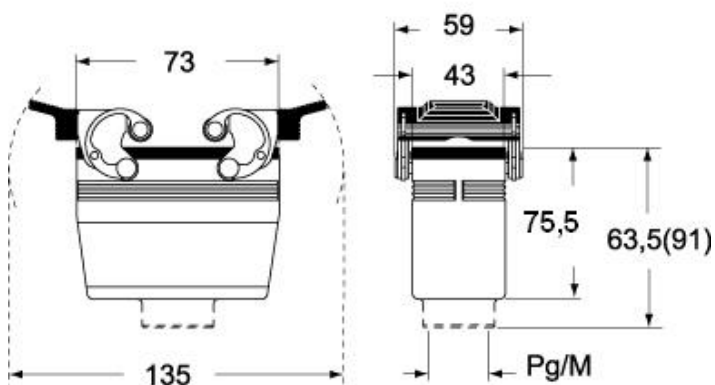
**CHO [CAO] CHV (CAV) - MHO [MAO]
MHV (MAV)**



CAF - MAF/MFF



CHV G (CAV G) - MHV G (MAV G) - [MFV G]



Notes

Dimensions shown in mm are not binding and may be changed without notice.