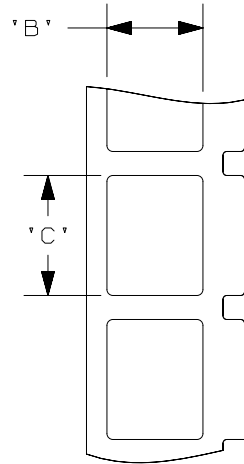
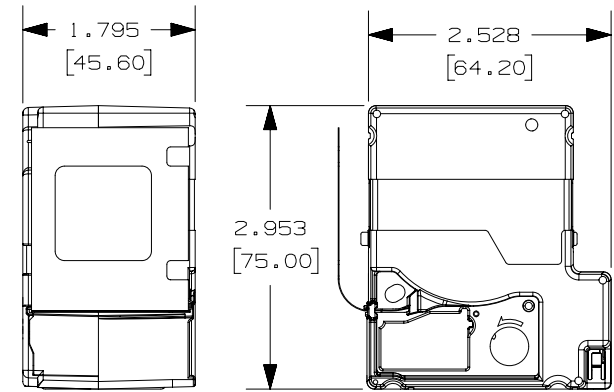


THIS COPY IS PROVIDED ON A RESTRICTED BASIS AND IS NOT TO BE USED IN ANY WAY DETRIMENTAL TO THE INTERESTS OF PANDUIT CORP.

PART NO.	MATERIAL	COLOR	'B' +/-0.030 [+/-0.76]	'C' +/-0.030 [+/-0.76]	LABEL COUNT PER CASSETTE
N050X075C1M	GMC6	WHITE	0.500 [12.70]	0.750 [19.05]	275
N100X075C1M			1.000 [25.40]	1.250 [31.75]	275
N100X125C1M					180



TITLE		MP NON-LAMINATING NYLON LABELS		
ITEM REVISION NAME		CUSTOMER DRAWING		
DATASET FILE NAME		100743XK/00		
MATERIAL:		SEE TABLE		
DRAWING NUMBER:		I00743XK_DC		
UNLESS OTHERWISE SPECIFIED, DIMENSIONAL TOLERANCES ARE: IN [mm]		.x ± .1 [2.54] .xxx ± .025 [.635] .xx ± .062 [1.57] ANGLES ±		
THIRD ANGLE PROJECTION				
DRAWN BY	DATE	CHK	SCALE	SIZE
RVU	8/1/2022	MSAD	NTS	A

REV	DATE	BY	CHK	APR	DESCRIPTION	ECN
00A	8/1/2022	RVU	JSUN	MSAD	NEW RELEASE.	GAECN04940

DI0100DA/20