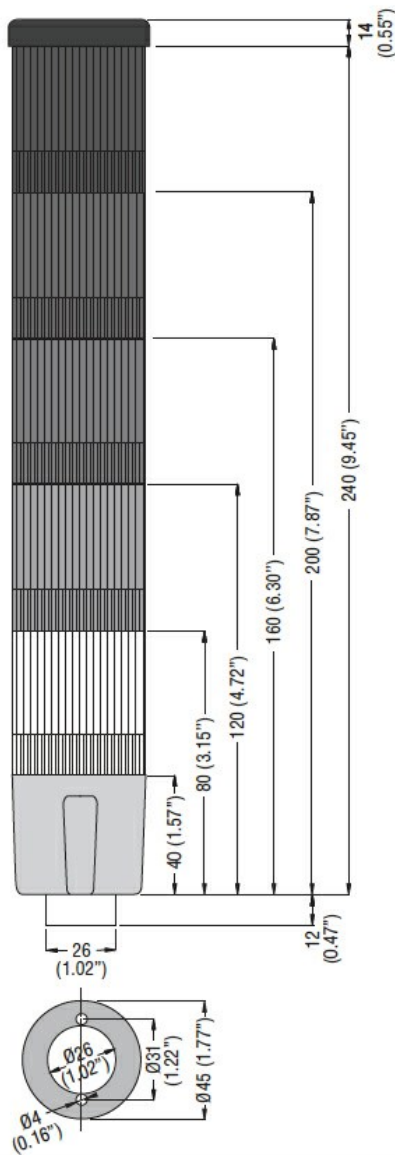
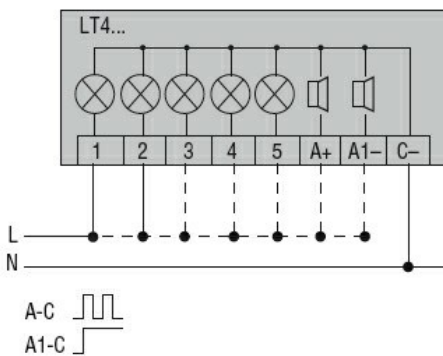




|                                     |                       |  |                                 |                     |
|-------------------------------------|-----------------------|--|---------------------------------|---------------------|
| Product designation                 |                       |  |                                 | Signal tower        |
| Product type designation            |                       |  |                                 | Ø45mm/1.7"          |
|                                     |                       |  |                                 | 8TL4                |
| <b>General characteristics</b>      |                       |  |                                 |                     |
| Diameter                            |                       |  | mm - inch                       | 45 / 1.77           |
| Supply voltage (DC)                 |                       |  | V                               | 24±10%              |
| Colour                              |                       |  | White, green, blue, orange, red |                     |
| IEC degree of protection            |                       |  | IP54                            |                     |
| Light consumption per module (DC)   |                       |  | mA                              | 37                  |
| <b>Mechanical features</b>          |                       |  |                                 |                     |
| Tightening torque for terminals max |                       |  | Nm                              | 0.5                 |
| Terminals screw                     |                       |  | Screw clamp terminals           |                     |
| Conductor section                   | AWG/Kcmil             |  |                                 |                     |
|                                     |                       |  | max                             | 16                  |
|                                     | IEC                   |  |                                 |                     |
|                                     |                       |  | max                             | mm <sup>2</sup> 1.5 |
| Weight                              |                       |  | g                               | 400                 |
| <b>Ambient conditions</b>           |                       |  |                                 |                     |
| Temperature                         | Operating temperature |  |                                 |                     |
|                                     |                       |  | min                             | °C -20              |
|                                     |                       |  | max                             | °C +50              |
| <b>Dimensions</b>                   |                       |  |                                 |                     |



## Wiring diagrams



## Certifications and compliance

### Compliance

CSA C22.2 n° 14

IEC/EN 60947-1

IEC/EN 60947-5-1

UL508

### Certificates

cULus  
EAC

---

ETIM classification

ETIM 8.0

EC001042 -  
Signal tower  
complete