

Part number

TMAV 10.32



Hood, T-TYPE series, with 4 pegs, M32 top cable entry, size "57.27"

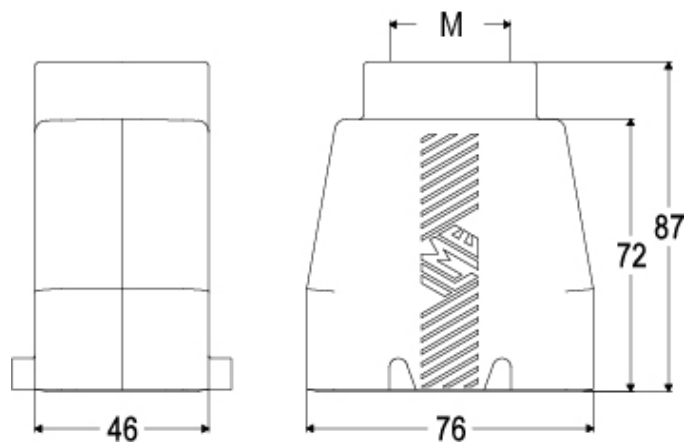
Product description		Material properties	
Product type	Hood	Main material	Polypropylene (PP)
Series	T-TYPE	Colour	RAL 7012 grey
Closing type	With 4 pegs	RoHs conformity	Compliant
Size	Size "57.27"	China RoHs - EFUP	E
Cable entry	Top cable entry M32	REACH SVHC substances	No
Technical data		Approvals / Standards	
IP degree of protection	IP65	UL	ECBT2
Further technical details		cUL	ECBT8
Weight	102,00 g	General ordering information	
Operating temperature range (min, max)	-40°C ... +90°C	EAN13 code	8015747168762
		eCl@ss 8.1	27440202
		ETIM 7.0	EC000437
		Packaging Information	
		Packaging length	270,00 mm
		Packaging height	210,00 mm
		Packaging width	165,00 mm
		Packaging weight	2,04 kg
		Packaging volume	9,36 dm ³
		Packaging description	Carton box
		Packaging quantity	20 Pcs
		Packaging EAN code	8015747171304
		Sub-packaging weight	0,51 kg
		Sub-packaging description	Plastic packaging
		Sub-packaging quantity	5 Pcs
		Sub-packaging EAN barcode	8015747171311

Part number

TMAV 10.32



Catalogue drawings



Notes

Dimensions shown in mm are not binding and may be changed without notice.
