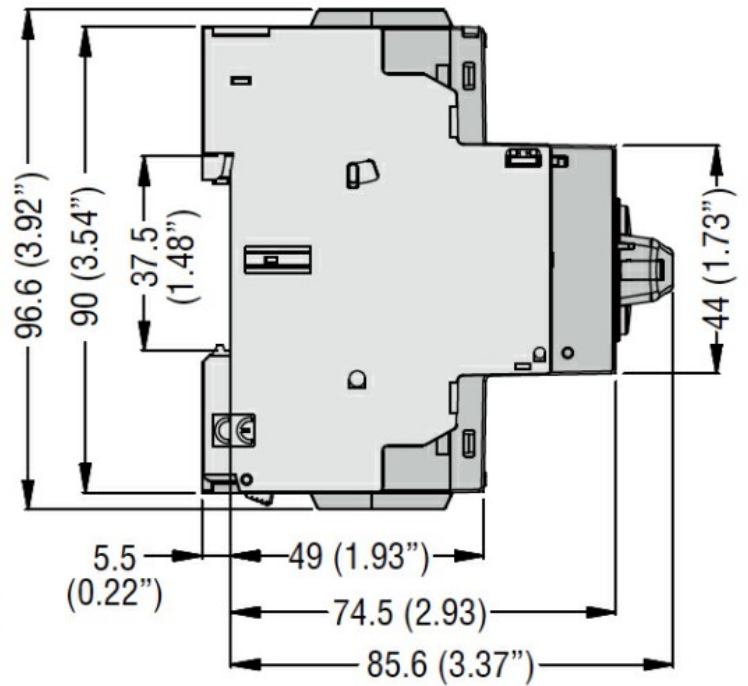
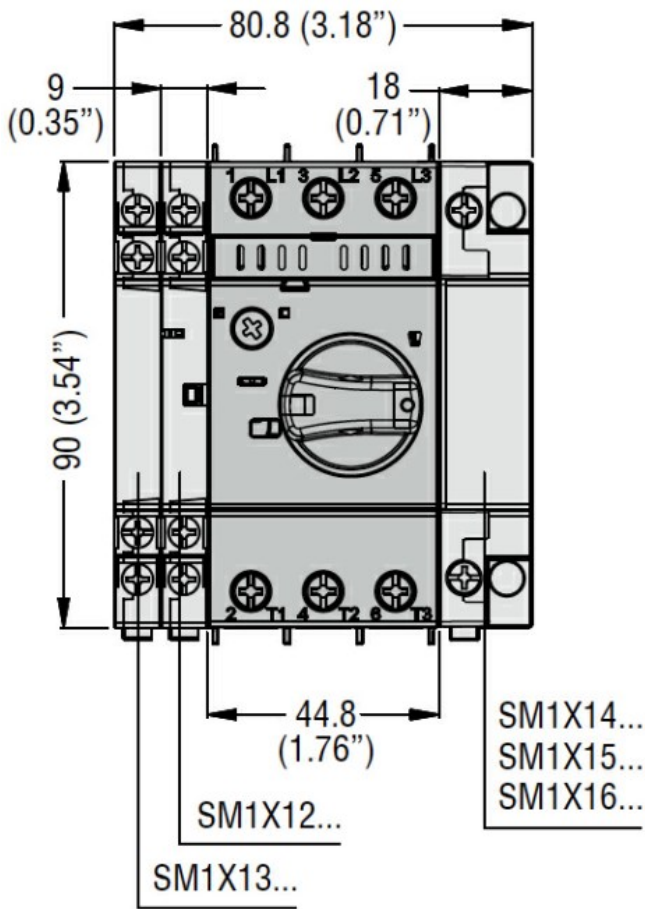


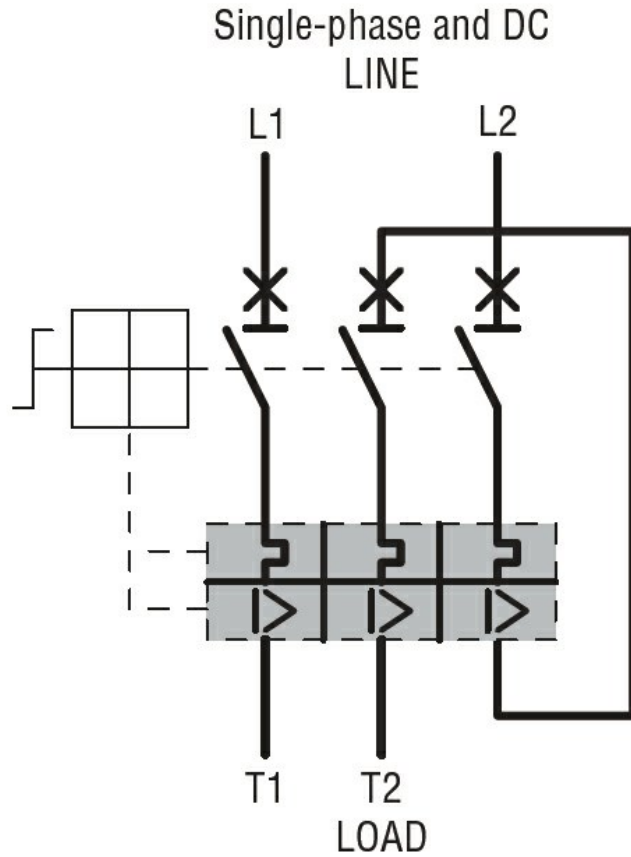
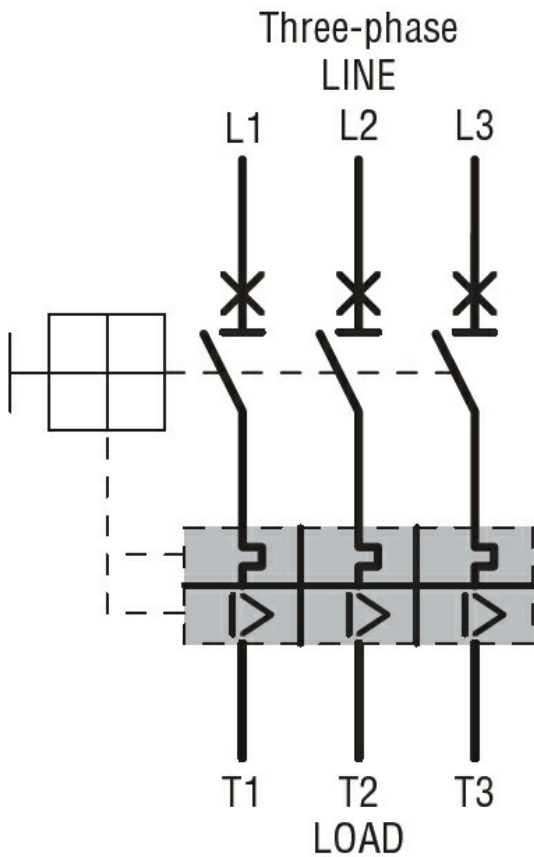


Product designation				Motor protection circuit breaker SM1RM	
Product type designation				SM1RM	
<b>Electrical features</b>					
Magnetic protection				yes	
Thermal protection				no	
Rated insulation voltage $U_i$ IEC/EN	V			690	
Rated impulse withstand voltage $U_{imp}$	kV			6	
Rated frequency	Hz			50/60	
Rated current ( $I_n$ )	A			40	
Magnetic tripping				13 x $I_n$	
Power dissipation per pole	min	W	3.44		
	max	W	6.12		
Operational short-circuit current breaking capacity ( $I_{cs}$ ) at AC	230V	kA	100		
	400V	kA	10		
	440V	kA	5		
	500V	kA	5		
	690V	kA	2		
	Maximum short-circuit current breaking capacity ( $I_{cu}$ ) at AC	230V	kA	100	
400V		kA	20		
440V		kA	10		
500V		kA	10		
690V		kA	4		
IEC Utilization category					A
<b>Operations</b>					
Mechanical life				cycles 100000	
Electrical life				cycles 100000	
<b>Mechanical features</b>					
Tightening torque for terminals	min	Nm	2.5		
	max	Nm	3		
	min	lbin	22		
	max	lbin	26.5		
Conductor section	AWG/Kcmil	min	16		
		max	8		
	Flexible w/o lug conductor section	min	mm <sup>2</sup>	1	
		max	mm <sup>2</sup>	10	
	Flexible c/w lug conductor section	min	mm <sup>2</sup>	1	

		max	mm <sup>2</sup>	10
Flexible with insulated spade lug conductor section		min	mm <sup>2</sup>	1
		max	mm <sup>2</sup>	10
Screwdriver				PH2
Cable stripping length				
	main circuit	mm		12
<b>Ambient conditions</b>				
Temperature				
Operating temperature				
		min	°C	-20
		max	°C	+60
Storage temperature				
		min	°C	-50
		max	°C	+80
Compensation temperature				
		min	°C	-20
		max	°C	+50
Max altitude			m	3000
Operating position		allowable		Any
Fixing				Screw / DIN rail 35mm
Weight			g	390
<b>UL technical data</b>				
Motor Disconnect				
		at 480V	kA	30
		at 600V	kA	30
		protection		200A class J
Group Motor Installation				
		at 480V	kA	30
		at 600V	kA	30
		protection		200A class J
<b>Dimensions</b>				



**Wiring diagrams**



**Certifications and compliance**

Certifications

CSA C22.2 n° 60947-4-1

IEC/EN 60947-1

IEC/EN 60947-2

IEC/EN 60947-4-1

UL60947-4-1

Compliance

cULus

EAC

ETIM classification

ETIM 8.0

EC000074 -  
Motor protection  
circuit-breaker