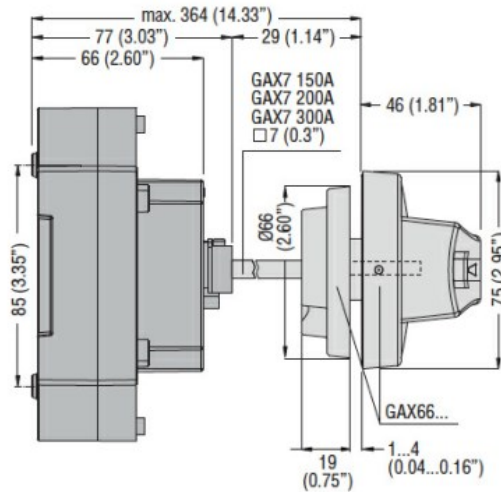
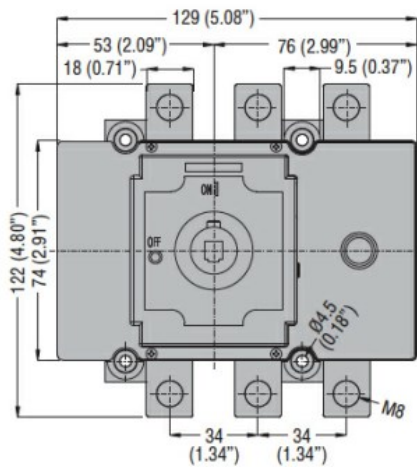


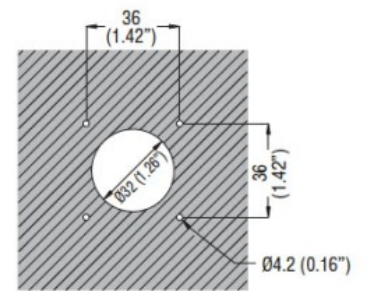


Product designation				Switch disconnecter
Product type designation				GE
Number of poles				Nr. 3
Operating voltage type				AC
<b>Contact characteristics</b>				
IEC Conventional free air thermal current I <sub>th</sub>				A 160
Rated insulation voltage U <sub>i</sub> IEC/EN				V 1000
Rated impulse withstand voltage U <sub>imp</sub>				kV 8
Operating current I <sub>e</sub>				
AC21A	400V	A	160	
	500V	A	160	
	690V	A	160	
AC22A	400V	A	160	
	500V	A	125	
	690V	A	125	
AC23A	400V	A	160	
	500V	A	125	
	690V	A	80	
Power dissipation per pole max				W 4
Rated operational power AC23A	400V	kW	90	
	690V	kW	75	
Rated short time current (1s) I <sub>cw</sub> (rms)				kA 7
Conditional short-circuit current (rms)				kA 100
Short-circuit protection with fuse				Class/A gG160
Making capacity AC23A 400V				A 1600
Breaking capacity AC23A 400V				A 1280
Mechanical life				cycles 30000
Electrical life AC21A				cycles 1000 (AC23A 400V)
<b>Mechanical features</b>				
Operating position	normal allowable	Vertical plan Any		
Fixing				Screw
Terminals	type screw	Built-in terminal lug M8		
Tightening torque for terminals	max	Nm	4	

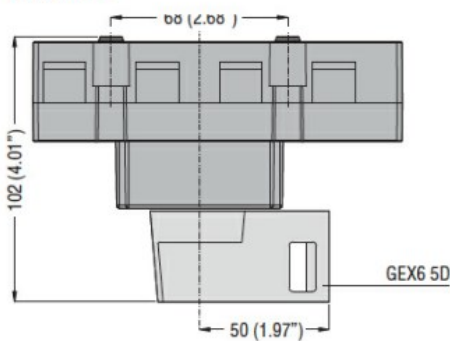
Bar dimensions max	max	Ibin	3
			18x3
<b>Ambient conditions</b>			
Operating temperature	min	°C	-25
	max	°C	55
<b>Storage temperature</b>			
	min	°C	-40
	max	°C	70
<b>Max altitude</b>			
		m	3000
<b>Resistance &amp; Protection</b>			
Frontal IP degree			IP20
Terminals IP degree			IP20
Pollution degree			3
<b>Dimensions</b>			



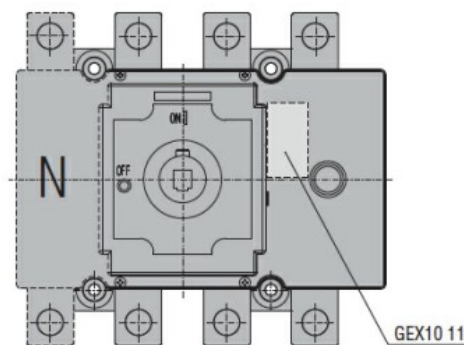
**Drilling**



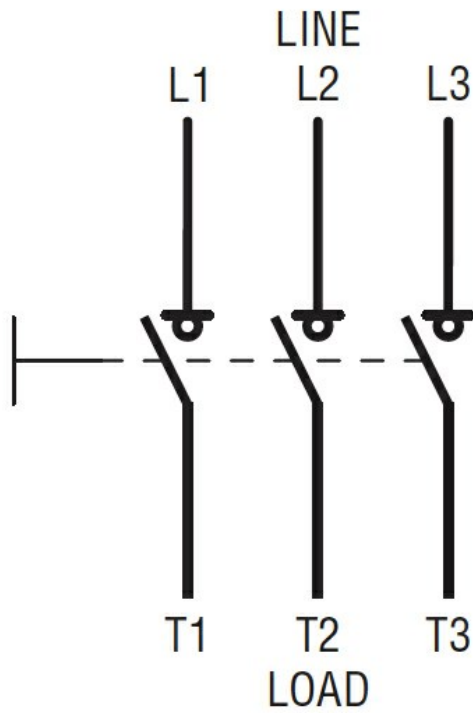
**Direct operating version with handle  
GEX6 5D**



**With auxiliary contact**



**Wiring diagrams**



**Certifications and compliance**

Compliance

IEC/EN 60947-1

IEC/EN 60947-3

Certifications

EAC

**ETIM classification**

ETIM 8.0

EC000216 -  
 Switch  
 disconnecter