



WI180C-B404

SICK
Sensor Intelligence.



Ordering information

Type	Part no.
WI180C-B404	6058819

Other models and accessories → www.sick.com/

Detailed technical data

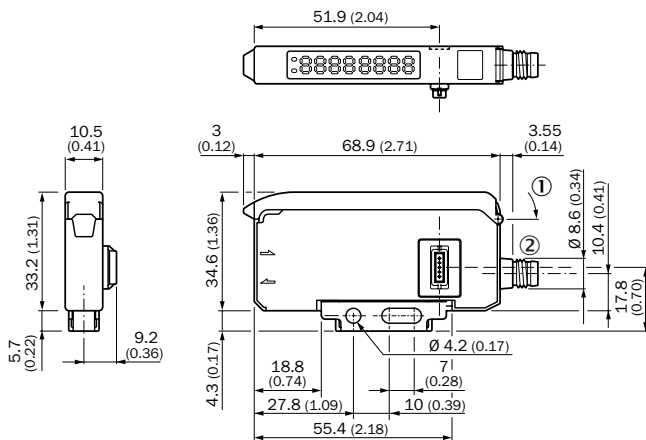
Technical specifications

Accessory family	Interface modules
Enclosure rating	IP50
Dimensions (W x H x L)	10.5 mm x 34.6 mm x 71.9 mm
Description	Logic module with four operating modes: Pulse width measurement, logic link, pattern matching, periodic evaluation; M8 connection, 4-pin (to D-Sub connection, 9-pin (RS232)); connection of up to 16 sensors of the WLL180T product family. See operating instructions for additional information and technical details

Classifications

eCl@ss 5.0	27242202
eCl@ss 5.1.4	27242602
eCl@ss 6.0	27242602
eCl@ss 6.2	27242602
eCl@ss 7.0	27242602
eCl@ss 8.0	27242602
eCl@ss 8.1	27242602
eCl@ss 9.0	27242602
eCl@ss 10.0	27242602
eCl@ss 11.0	27242602
eCl@ss 12.0	27242602
ETIM 5.0	EC001597
ETIM 6.0	EC001597
ETIM 7.0	EC001597
ETIM 8.0	EC001597
UNSPSC 16.0901	32151705

Dimensional drawing (Dimensions in mm (inch))



- ① Aperture angle approx 180°
- ② Male connector M8, 4-pin

Connection type

Technical data

Description	Value
Adjustment	Menu-controlled
Indication	Display
Display	LED status display / 2 x 4-character digital dual displays
Supply voltage	via WLL180T (base unit)
Power consumption	36 mA / 24 V DC
Switching output	NPN/PNP, load current = 100 mA, residual voltage = 1.8 V
Input	2 external inputs
Operating temperature/humidity	- 25 °C ... + 55 °C / 35...85% RH ^{1) 2)}
Storage temperature/humidity	- 30 °C ... + 70 °C / 35...85% RH ¹⁾
Enclosure rating	IP50
Housing material	PC

¹⁾ For each connected amplifier. See operating instruction for details 8018416.

²⁾ Temp./Maximum units interconnected: -25 °C ... +55 °C/3 units (output current: 100 mA max.),
-25 °C ... +50 °C/8 units (output current: 50 mA max.),
-25 °C ... +45 °C/16 units (output current: 20 mA max.)

SICK AT A GLANCE

SICK is one of the leading manufacturers of intelligent sensors and sensor solutions for industrial applications. A unique range of products and services creates the perfect basis for controlling processes securely and efficiently, protecting individuals from accidents and preventing damage to the environment.

We have extensive experience in a wide range of industries and understand their processes and requirements. With intelligent sensors, we can deliver exactly what our customers need. In application centers in Europe, Asia and North America, system solutions are tested and optimized in accordance with customer specifications. All this makes us a reliable supplier and development partner.

Comprehensive services complete our offering: SICK LifeTime Services provide support throughout the machine life cycle and ensure safety and productivity.

For us, that is “Sensor Intelligence.”

WORLDWIDE PRESENCE:

Contacts and other locations –www.sick.com