

Part number

# M7P 06 LS220



Surface mounting housing, V-TYPE series, with 1 lever, M20 x 2 cable entry, size "44.27", with metal cover

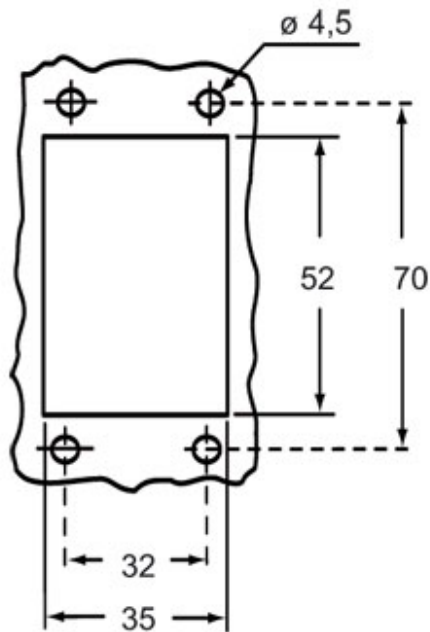
Product description		Material properties	
<b>Product type</b>	Surface mounting housing	<b>Other materials</b>	Lever: Stainless steel Gasket: NBR
<b>Series</b>	V-TYPE	<b>Colour</b>	RAL 7040 grey
<b>Closing type</b>	With 1 lever	<b>RoHs conformity</b>	Compliant
<b>Size</b>	Size 44.27	<b>China RoHs - EFUP</b>	E
<b>Cable entry</b>	With cable entry M20 x 2	<b>REACH SVHC substances</b>	No
<b>Specification</b>	With metal cover	<b>Approvals / Standards</b>	
Technical data		<b>Certifications</b>	DNV, BV
<b>IP degree of protection</b>	IP66 / IP67 / IP69	<b>UL</b>	ECBT2
Further technical details		<b>cUL</b>	ECBT8
<b>Weight</b>	248,00 g	<b>General ordering information</b>	
<b>Operating temperature range (min, max)</b>	-40°C...+125°C	<b>EAN13 code</b>	8015747235754
		<b>eCl@ss 8.1</b>	27440202
		<b>ETIM 7.0</b>	EC000437
		<b>Packaging Information</b>	
		<b>Packaging length</b>	355,00 mm
		<b>Packaging height</b>	110,00 mm
		<b>Packaging width</b>	185,00 mm
		<b>Packaging weight</b>	2,61 kg
		<b>Packaging volume</b>	7,22 dm <sup>3</sup>
		<b>Packaging description</b>	Carton box
		<b>Packaging quantity</b>	10 Pcs
		<b>Packaging EAN code</b>	8015747235822
		<b>Sub-packaging weight</b>	1,31 kg
		<b>Sub-packaging description</b>	Plastic packaging
		<b>Sub-packaging quantity</b>	5 Pcs
		<b>Sub-packaging EAN barcode</b>	8015747235839

Part number

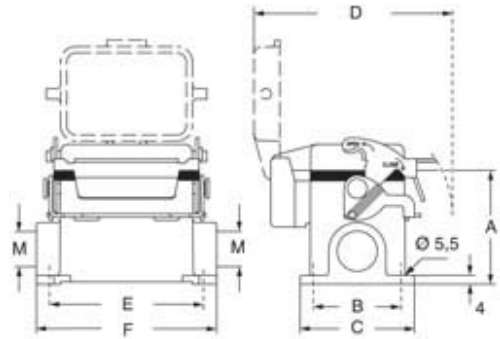
# M7P 06 LS220



Catalogue drawings



Catalogue drawings



type	A	B	C	D	E	F
M7P 06 LS	53	40	52	91	70	82
M7AP 06 LS	73	45	57	91	70	82

## Notes

Dimensions shown in mm are not binding and may be changed without notice.