

EU xComfort CBMA-02/01, CMMZ-00/08

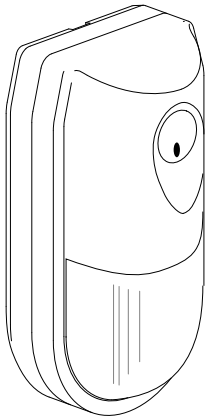


	Min. Version 1.30
	Min. Version 3.6

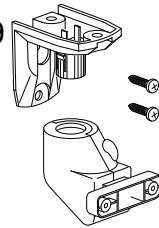


	T=-25°C - +75°C
	T=+5°C - +40°C

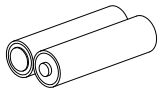
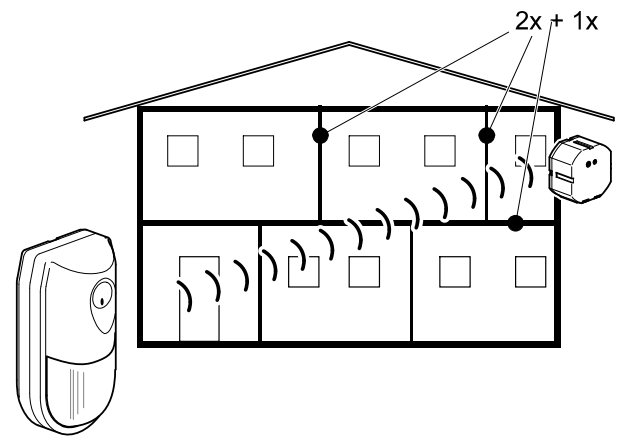
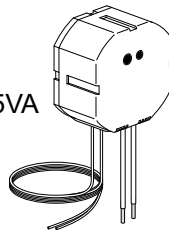
CBMA-02/01



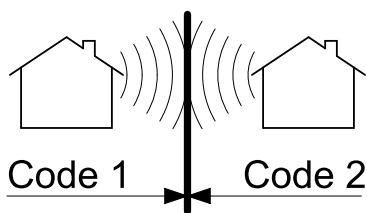
CMMZ-00/09



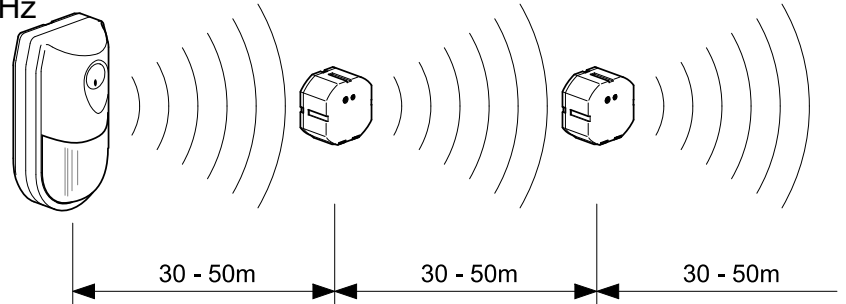
CMMZ-00/08
230VAC 50Hz
max. 14,5VAC/0,25VA



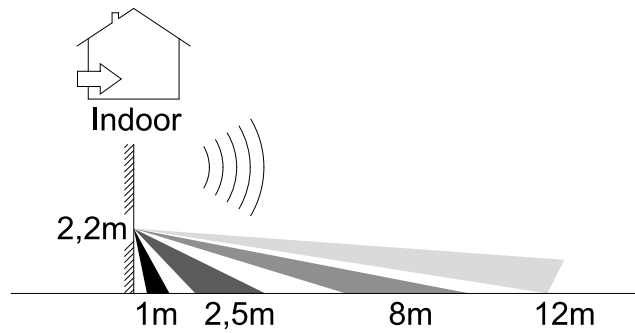
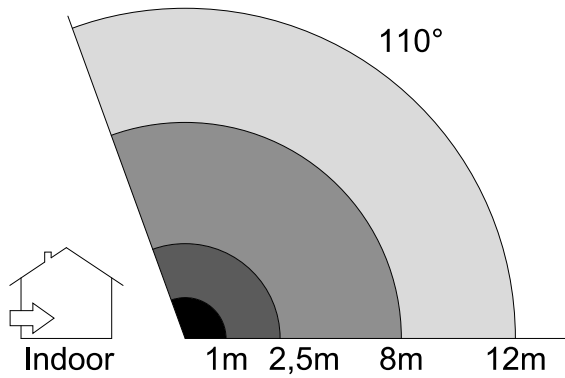
2x LR03
AAA-Micro-1,5V



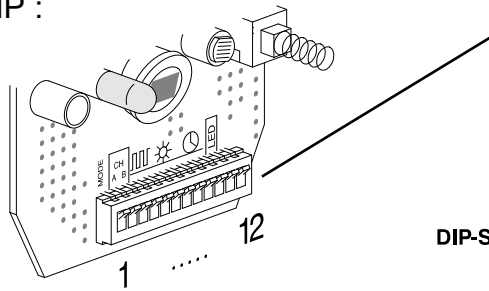
868,3 MHz



	~ 60-90%	~ 80-95%	~ 20-60%	~ 0-10%	~ 70-90%



DIP :



CMMZ-00/08

10-14,5 VAC
ext.

PROG

LED

DIP

Tamper
Switch

PIR-Sensor

SUPPLY

DIP-Switch	1	2	3	4	5	6	7	8	9	10	11	12
1...ON	<input type="checkbox"/>	<input type="checkbox"/>	<input type="checkbox"/>	<input type="checkbox"/>	<input type="checkbox"/>	<input type="checkbox"/>	<input type="checkbox"/>	<input type="checkbox"/>	<input type="checkbox"/>	<input type="checkbox"/>	<input type="checkbox"/>	<input type="checkbox"/>
0...OFF	<input type="checkbox"/>	<input type="checkbox"/>	<input type="checkbox"/>	<input type="checkbox"/>	<input type="checkbox"/>	<input type="checkbox"/>	<input type="checkbox"/>	<input type="checkbox"/>	<input type="checkbox"/>	<input type="checkbox"/>	<input type="checkbox"/>	<input type="checkbox"/>

Mode	Assignment	0	1
Assignment	0		
Operation	1		

Function	0	0
NO channel selected	0	0
Only channel A	1	0
Only channel B	0	1
Channel A+B	1	1

Impulses	1	0	0
3	0	1	
5	1	0	
7	1	1	

Brightness	0	0	1	0	0
Night	0	0	1	0	0
Twilight	0	1	1	0	1
Day & night	1	0	1	1	0
No function	1	1	1	1	1

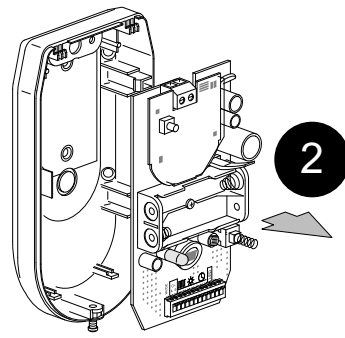
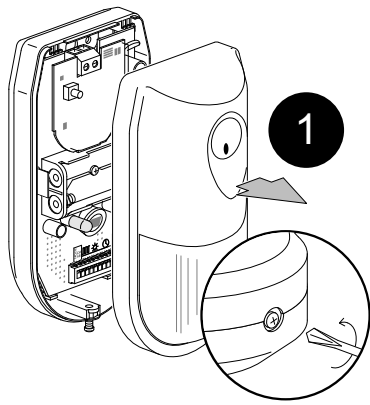
Turn-off delay	0	0	0	30 s
	0	0	1	1 min.
	0	1	0	2 min.
	0	1	1	3 min.
	1	0	0	5 min.
	1	1	0	10 min.
	1	1	1	20 min.
	1	1	1	30 min.

Select Turn-off delay	0	See Turn-off delay 8-10
	1	3 s

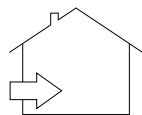
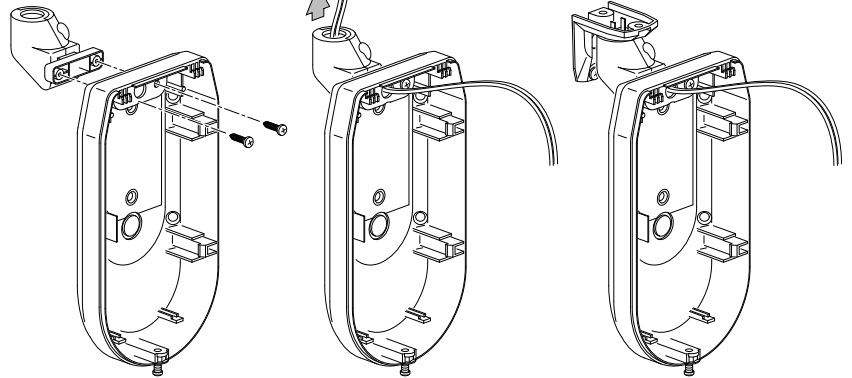
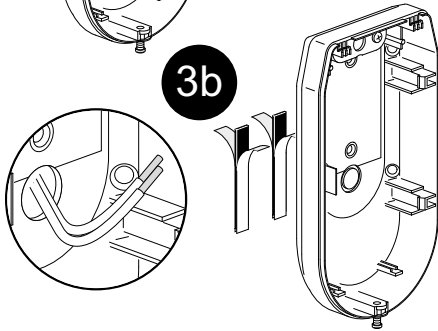
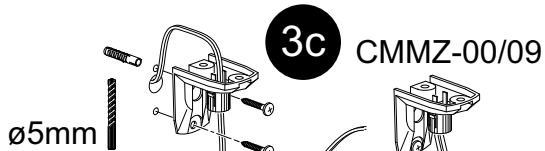
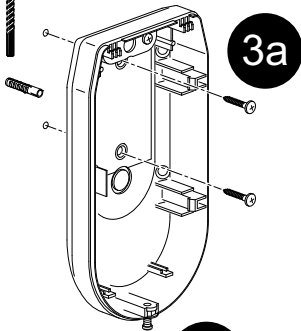
Test-LED	0	LED Off
	1	LED On



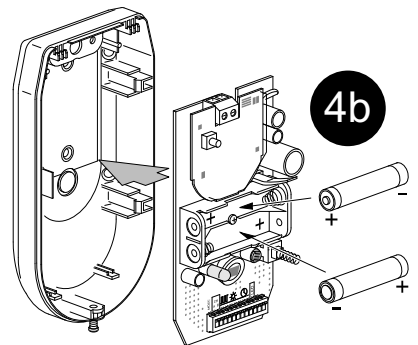
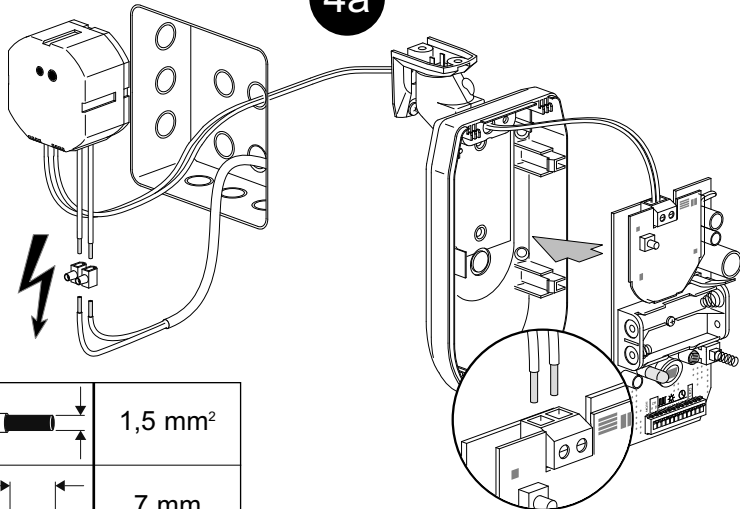
10-14,5 VAC
ext.
3 VDC



ø5mm



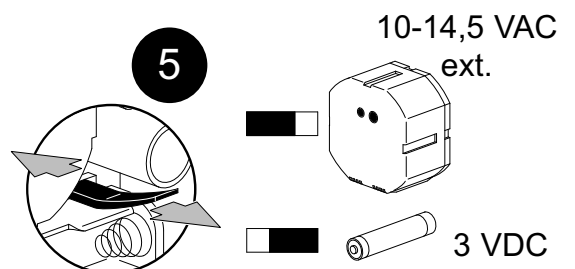
CMMZ-00/08



	1,5 mm ²
	7 mm

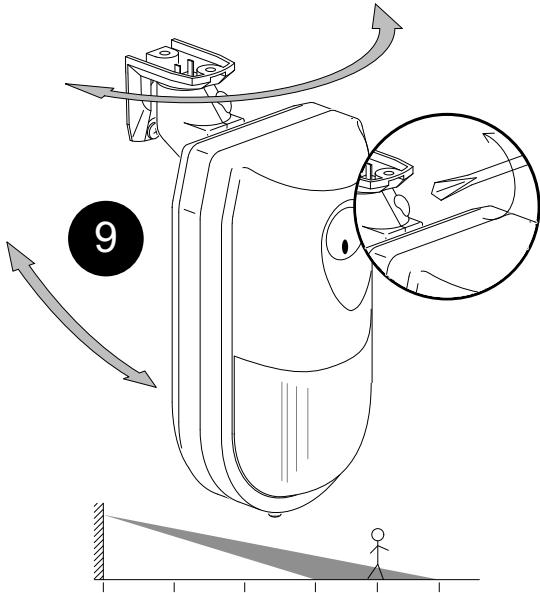
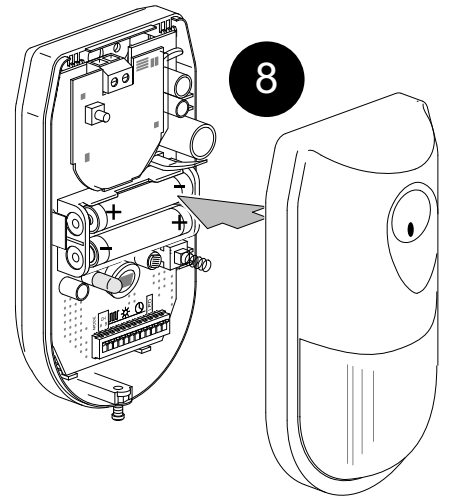
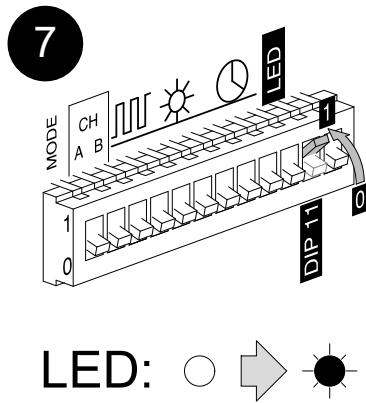
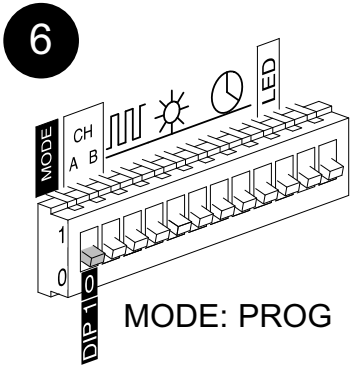
	5 mm
--	------

5

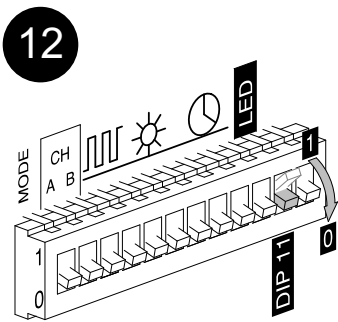
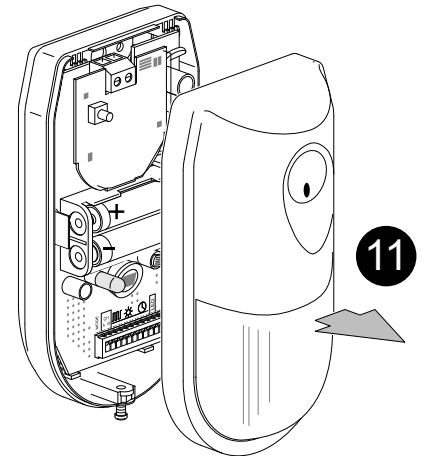


10-14,5 VAC ext.

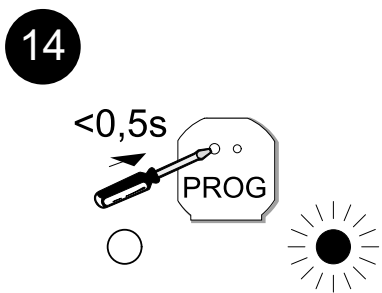
3 VDC

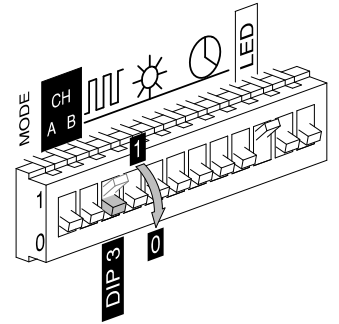
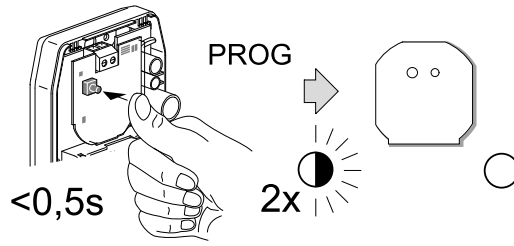
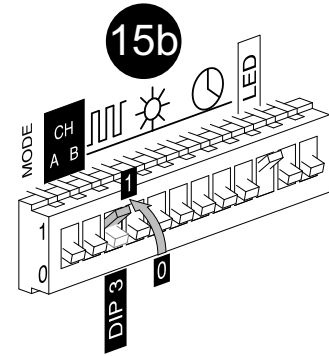
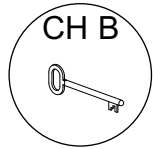
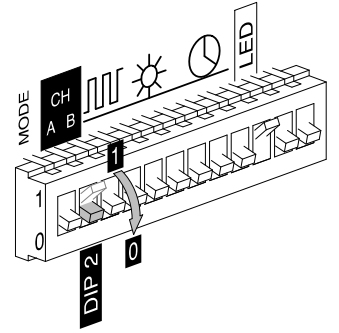
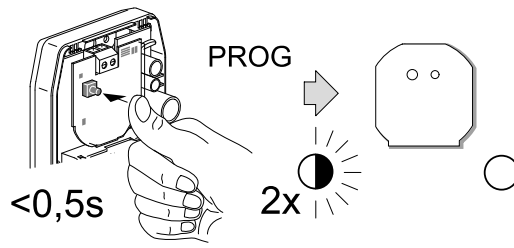
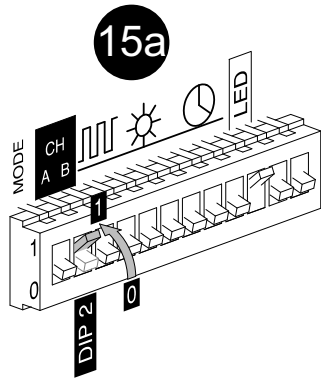


10 **Test**

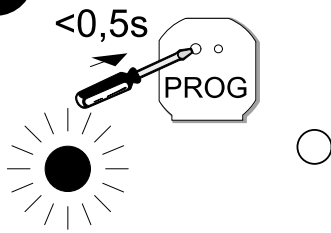


<p>13</p>	<p>1 3 5 7</p>	
	<p>2-4 Lux</p> <p>☀ ↔ ☾ 10-20 Lux</p> <p>☾ + ☀</p>	
	<p>30sec 1min 2min</p>	

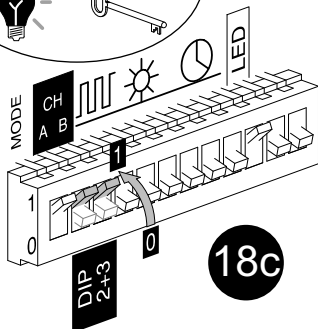
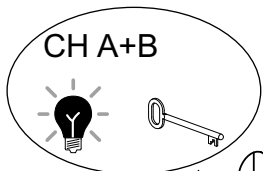
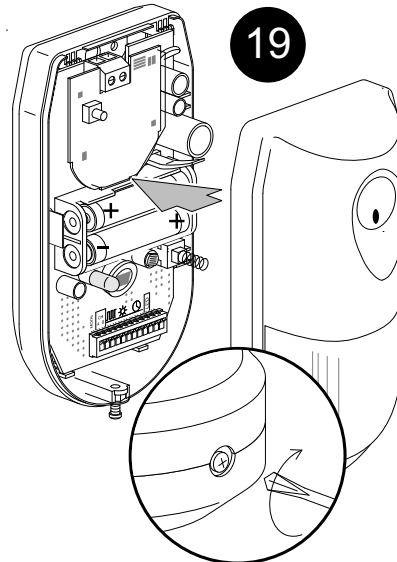
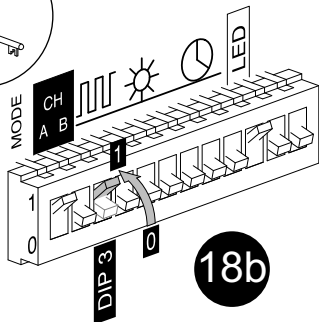
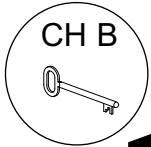
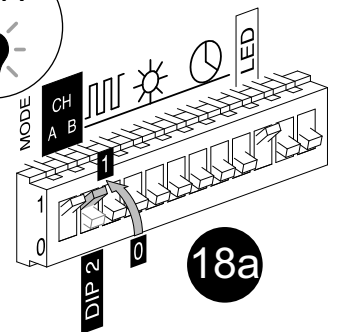
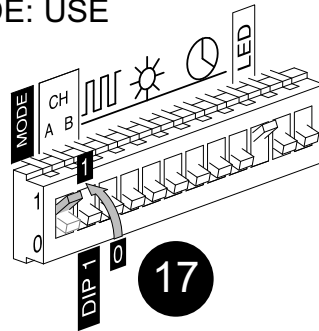




16



MODE: USE



20 **Test**



Declaration of Conformity

We, EATON Industries (Austria) GmbH
3943 Schrems, Eugenia 1
Austria

declare under our sole responsibility that the product (family)

Eaton - PIR-Motion-Detector,

CBMA-...

(the declaration of conformity applies to all listed types within our actual product catalogue)

provided that it is installed, maintained and used in the application intended for, with respect to the relevant manufacturers instructions, installation standards and "good engineering practices"

complies with the provisions of Council directive(s):

RED Directive 2014/53/EU

RoHS Directive 2011/65/EU

based on compliance with following standard(s):

EN 301489-3 V2.1.1, EN 300220-2 V3.1.1, EN 50491-5-1:2010, EN 50491-5-2:2010, EN 60950-1:2006 + A11:2009 + A1:2010 + A12:2011 + A2:2013, EN 62479:2010



EU- type examination performed by:
TÜV Austria Services GmbH, Notified Body
1230 Vienna, Deutschstrasse 10, Austria

Affixing date of CE mark: 2006
Doc.Id.: CBMA-011217

Fernando Ceccarelli

Senior Vice President
General Manager

01.12.2017

Friedrich Schröder

Director Quality
& Systems

<h2>RF- SYSTEM</h2> <h3>BASIC - MODE - CARD</h3>												
<table border="1"> <tr><td>CTAA-01/01</td></tr> <tr><td>CTAA-02/01</td></tr> <tr><td>CBEU-02/01</td></tr> <tr><td>CBEU-02/02</td></tr> <tr><td>MT M2 M3 M4</td></tr> <tr><td>1x 2x 3x 4x</td></tr> <tr><td>CRCA-00/01</td></tr> <tr><td>CHSZ-00/01</td></tr> </table>	CTAA-01/01	CTAA-02/01	CBEU-02/01	CBEU-02/02	MT M2 M3 M4	1x 2x 3x 4x	CRCA-00/01	CHSZ-00/01	<table border="1"> <tr><td>CSAU-01/01</td></tr> <tr><td>CJAU-01/01</td></tr> <tr><td>CDAU-01/01</td></tr> </table>	CSAU-01/01	CJAU-01/01	CDAU-01/01
CTAA-01/01												
CTAA-02/01												
CBEU-02/01												
CBEU-02/02												
MT M2 M3 M4												
1x 2x 3x 4x												
CRCA-00/01												
CHSZ-00/01												
CSAU-01/01												
CJAU-01/01												
CDAU-01/01												