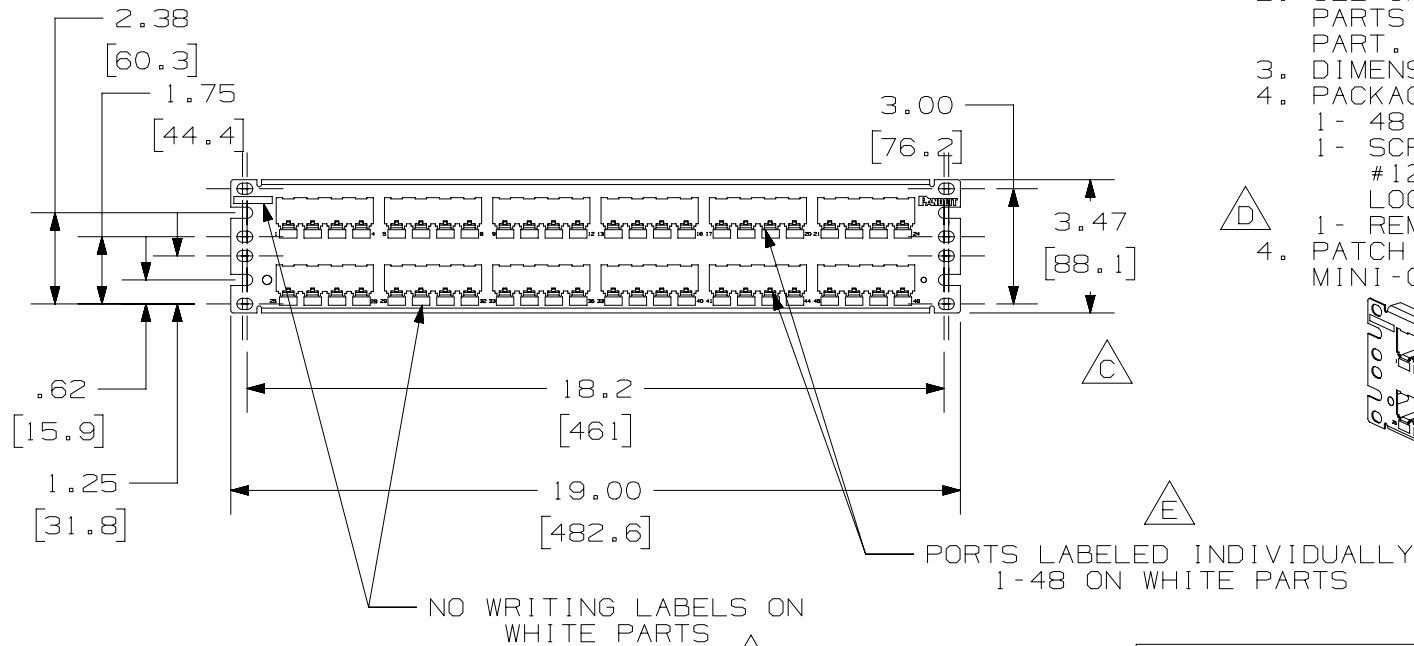
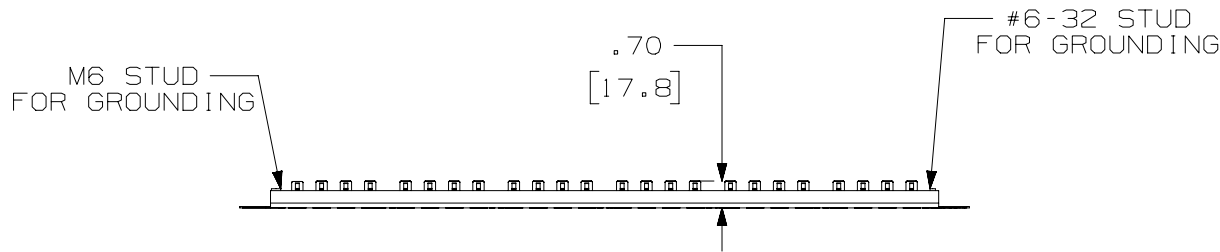


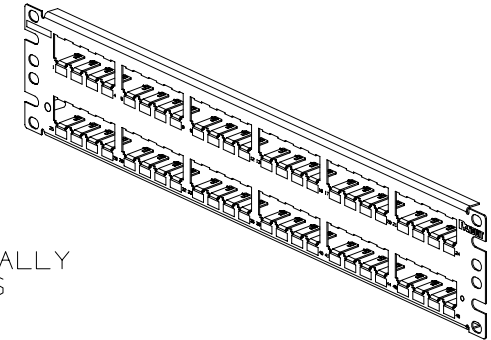
THIS COPY IS PROVIDED ON A RESTRICTED BASIS AND IS NOT TO BE USED IN ANY WAY DETRIMENTAL TO THE INTERESTS OF PANDUIT CORP.



PANDUIT P/N	WEIGHT
CP48**Y	6.51 LB/10 PCS (2952.9 g/10 PCS)
CP48WH	6.51 LB/10 PCS (2952.9 g/10 PCS)

NOTES:

- SEE CURRENT CATALOG FOR ADDITIONAL PART NUMBER SUFFIXES TO INDICATE COLOR AND OR PACKAGE QUANTITY.
- SEE CATALOG FOR COMPLETE LIST OF PARTS APPLICABLE FOR USE WITH THIS PART.
- DIMENSIONS IN ( ) ARE IN METRIC.
- PACKAGE CONTENTS:
  - 1- 48 PORT STAMPING
  - 1- SCREW KIT (INCLUDES FOUR #12-24 SCREWS AND FOUR LOCK WASHERS)
  - 1- REMOVAL TOOL (CPT)
- PATCH PANELS ACCEPT SNAP-IN MINI-COM SHIELDED MODULES.



PART NUMBER		CP48**Y/CP48WH	
TITLE		MINI-COM 48 PORT ALL METAL MODULAR PATCH PANEL	
		CUSTOMER DRAWING	
ITEM REVISION NAME		M02479CI/01	
DATASET FILE NAME		M02479CI_DC62/01A	
UNLESS OTHERWISE SPECIFIED, DIMENSIONAL TOLERANCES ARE: IN (mm)		MATERIAL:	
.x ± .03 (.8)		20 GAGE STAINLESS STEEL	
.xxx ± .010 (.3)		DRAWING NUMBER:	
ANGLES ±		02479-062	
THIRD ANGLE PROJECTION		SHT 1 OF 1	
DRAWN BY	DATE	CHK	SCALE
JSP	5-2-06	MJD	NONE
REV	DATE	BY	CHK

REV	DATE	BY	CHK	APR	DESCRIPTION	ECN
3	1-30-20	BAME	MMR	MMR	E. ADDED P/N CP48WH AND PRINTING NOTES D. REMOVED METRIC SCREWS	02479-062
2	3-14-14	SCAL			B. REVISED DRAWING TITLE BLOCK, C. ADDED "SHIELDED" TO NOTE 4.	02479-062
1	6-16-06	JSP	MJD	MJD	A. ADDED GROUNDING STUD CALLOUTS.	02479-062
R	5-2-06	JSP	MJD	MJD	RELEASED TO PRODUCTION	02479-062

D10100DA/14