

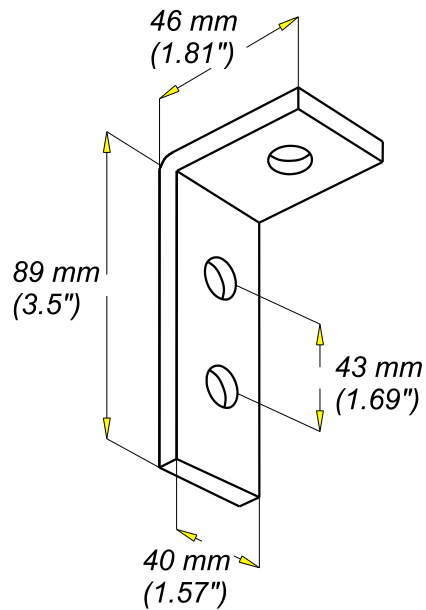
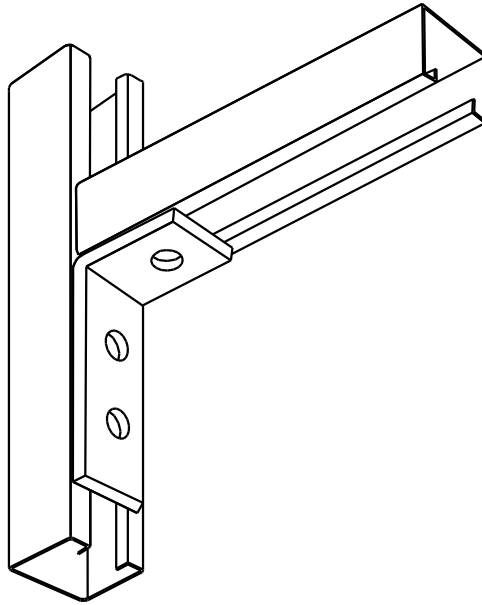
**EQUERRE 3 TROUS**  
**3 HOLE ANGLE**

**GC**  
**HDG**



FT0240-3

02-16



Material	Standard	Finishes	Standard
S235JR	EN 10025	Hot dip galvanized	EN ISO 1461

REF	CODE	POIDS (Kg)	WEIGHT (lb)
EQ3T	595 253	0.220	0.486

EPAISSEUR / THICKNESS
6 / (0.24")