



Expansion modules for flush-mount products - various functionalities  
EXP1015

Product designation

Product type designation

**General characteristics**

Description	GPRS/GSM modem	
Functions	Communication ports	
Compatibility with LOVATO Electric product		
Automatic power factor controllers	DCRG8	Yes
Fire pump controllers	FFL800	Yes
	FFLRA400	Yes
Engine and generator controllers	RGK750/RGK8/RGK9	Yes

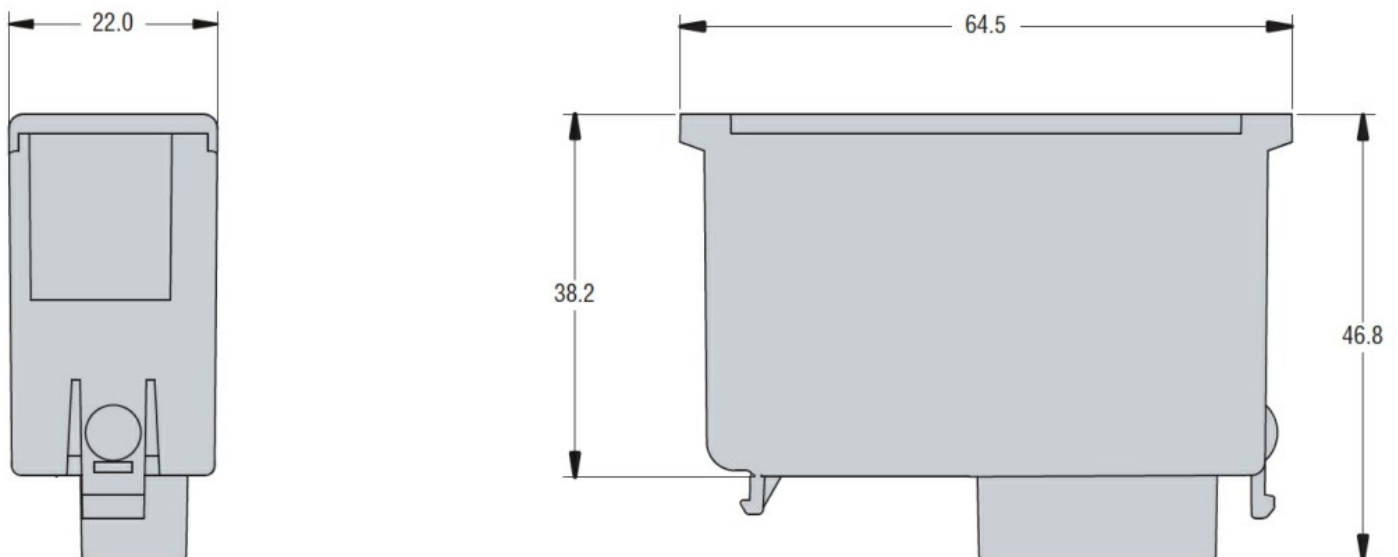
**Monitoring method**

Transmission technology	GSM-GPRS (2G)
Connectivity with Synergy and Xpress	Yes
SMS and mail sending	Yes

**Mechanical features**

Weight	g	80
--------	---	----

**Dimensions**



**Certifications and compliance**

Compliance

CAN/ICES-003

EN 301511

ETSI EN 301 469-7

ETSI EN 301 489-1

IEC/EN 61010-1

IEC/EN 62311

Subpart B

USA/FCC 47 CFR part 15

Certificates

cULus

EAC

ETIM classification

ETIM 8.0

EC002498 -  
Accessories/spare  
parts for low-  
voltage switch  
technology