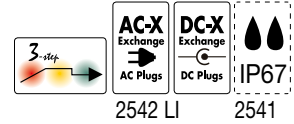


Chargers for Li-Ion batteries - switch mode

2542 LI - exchangeable / utskiftbare AC plugs

- 3-step charge control with current detection as charge termination
- Universal input voltage (90-264 VAC)
- 3-colored LED indicator
- Order mains cord separately
- Custom specifications on request
- Approvals:
 - Medically certified (IEC/EN/UL 60601-1)
 - For updates: see www.mascot.no
- 3-trinns ladekontroll med strømdeleksjon som ladestopp
- Universal inngangsspenning (90-264 VAC)
- 3-farget lysdiodeindikator
- Nettledning best. separat
- Tilpasninger leveres på forespørsel
- Godkjenninger:
 - Medisinsk sertifisert (IEC/EN/UL 60601-1)
 - For oppdat.: se www.mascot.no



Technical specifications

Tekniske data

Input voltage:	Inngangsspenning:	90-264 VAC
Line Frequency:	Frekvensområde:	47 – 63Hz
Switch frequency, approx.:	Svitsjefrekvens ca.:	40 kHz
Leakage current from battery with mains switched off:	Strømtrekk fra batteri ved frakoblet nett:	<250µA
Temperature range	Temperaturområde	
• operating:	• drift:	-20 °C - +40 °C
• storage:	• lagring:	-25 °C - +85 °C
Ripple:	Rippel:	< 100 mV p-p
Protection:	Sikring:	Protected against reversed polarity and short circuit proof Polvendings- og kortslutningssikker
Insulation class:	Isolasjonsklasse:	II
Insulation voltage:	Isolasjonsspenning:	
Primary – secondary:	Primær - sekundær:	4000VAC / 5700VDC
Electrical safety:	Elektrisk sikkerhet:	IEC/EN/UL 60601-1, EN 60950-1, EN 60335-2-29
EMC standards	EMC standarder	
• Medical:	• Medisinsk:	EN 60601-1-2
• Emission:	• Emisjon:	EN 61000-6-3
• Immunity:	• Immunitet:	EN 61000-6-1
Input terminal:	Inngangsterminal:	2-pin IEC 320 connector
Output terminals:	Utgangsterminaler:	Cord w/wout plug / Sek.ledn. m/u plugg
IP-code:	IP-grad:	41
Dimensions (LxWxH):	Mål (LxBxH):	107 × 67 × 36,5mm (2541 LI)
Weight:	Vekt:	250g

Versions / Versjoner			Charge control / Ladekontroll					Charge start Vbat<	
			Step 1 (orange)	Step 2a (orange)	Step 2b (yellow / gul)	Step 3 (green / grønn)			
Cells	Max output power (W)	Efficiency (100% at 230V)	Charge current	Charge voltage	To yellow when current is:	Charge termin. when current is:	Charge start Vbat<		
Celler	Maks. utg. effekt	Virkningsgrad	Ladestrøm	Ladespenning	Til gul når strøm er:	Ladestopp når strøm er:	Ladestart Vbat<		
1	12	63 %	2,7A ±0,1A	4,2V ±0,05V	< 1,15A ±0,1A	< 100mA +-25%	4,0V±0,1V	Or mains turned on Eller nettpåslag	
2	23	78 %	2,7A ±0,1A	8,4V ±0,1V	< 1,15A ±0,1A		8,0V±0,1V		
3	29	83 %	2,3A ±0,1A	12,6V ±0,1V	< 1,00A ±0,1A		12,1V±0,1V		
4	34	84 %	2,0A ±0,1A	16,8V ±0,1V	< 0,85A ±0,1A		16,2V±0,1V		
5	34	85 %	1,6A ±0,1A	21V ±0,1V	< 0,70A ±0,1A		20,3V±0,1V		
6	35	87 %	1,4A ±0,1A	25,2V ±0,1V	< 0,60A ±0,1A		24,4V±0,1V		
7	35	87 %	1,2A ±0,1A	29,4V ±0,1V	< 0,50A ±0,1A		28,5V±0,1V		
8	34	85 %	1,0A ±0,1A	33,6V ±0,1V	< 0,40A ±0,1A		32,6V±0,1V		
10	35	85 %	0,8A ±0,1A	42,0V ±0,2V	< 0,35A ±0,1A		40,7V±0,4V		
14	35	85 %	0,6A ±0,1A	58,8V ±0,3V	< 0,25A ±0,05A		57,1V±0,5V		



Exchangeable AC plug models

Modeller med utskiftbare AC pluggar

Available as / Tilgjengelig som:

Small housing / liten boks		
Base model / Grunnmodell		w exch. AC plug
Type	Description / Beskrivelse	Type
2121	AC/DC PSU, max 10W	2123
2124	AC/DC PSU, max 16W	2126
2115	NiMH battery charger, max 1,3A	2116
2240	Lead Acid batt. charger, max 1,3A	2241
2240 LI	Li-Ion batt. charger, max 1,3A	2241 LI

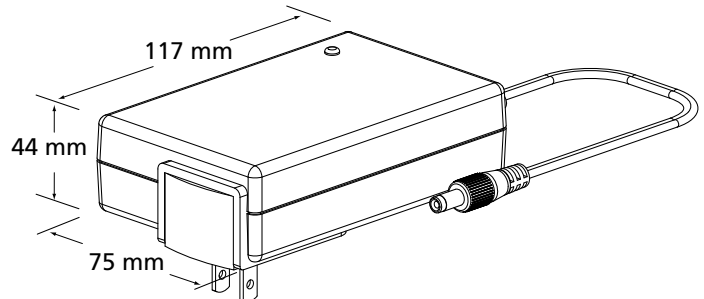
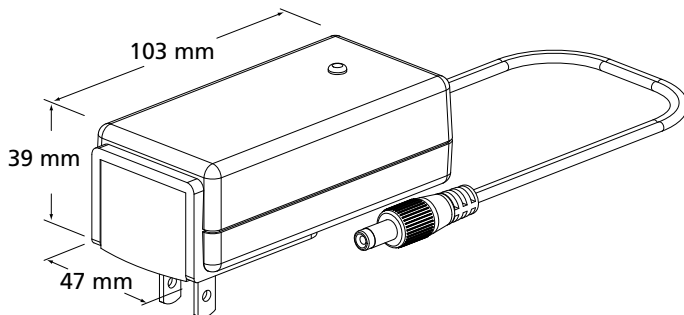
Additional housing weight (excl. plug/cord) +15 g
 Tilleggsvekt (uten plugg/ledning) +15 g

Medium housing / medium boks		
Base model / Grunnmodell		w exch. AC plug
Type	Description / Beskrivelse	Type
9921	AC/DC PSU, max 40W	9926
2720	AC/DC PSU, max 40W	2721
2541	Lead Acid batt. charger, max 2,2A	2542
9940	Lead Acid batt. charger, max 2,3A	9941
2215	NiMH battery charger, max 35W	2216
9940 LI	Li-Ion batt. charger, max 2,3A	9941 LI
2541 LI	Li-Ion batt. charger, max 2,7A	2542 LI

Additional housing weight (excl. plug/cord) +27 g
 Tilleggsvekt (uten plugg/ledning) +27 g



IEC 320 mains cord / nettleddning 1800mm EU part no. 131306,
 UK part no. 131148, US part no. 131147, AU part no. 013108



EXCHANGEABLE AC PLUG ADAPTERS

