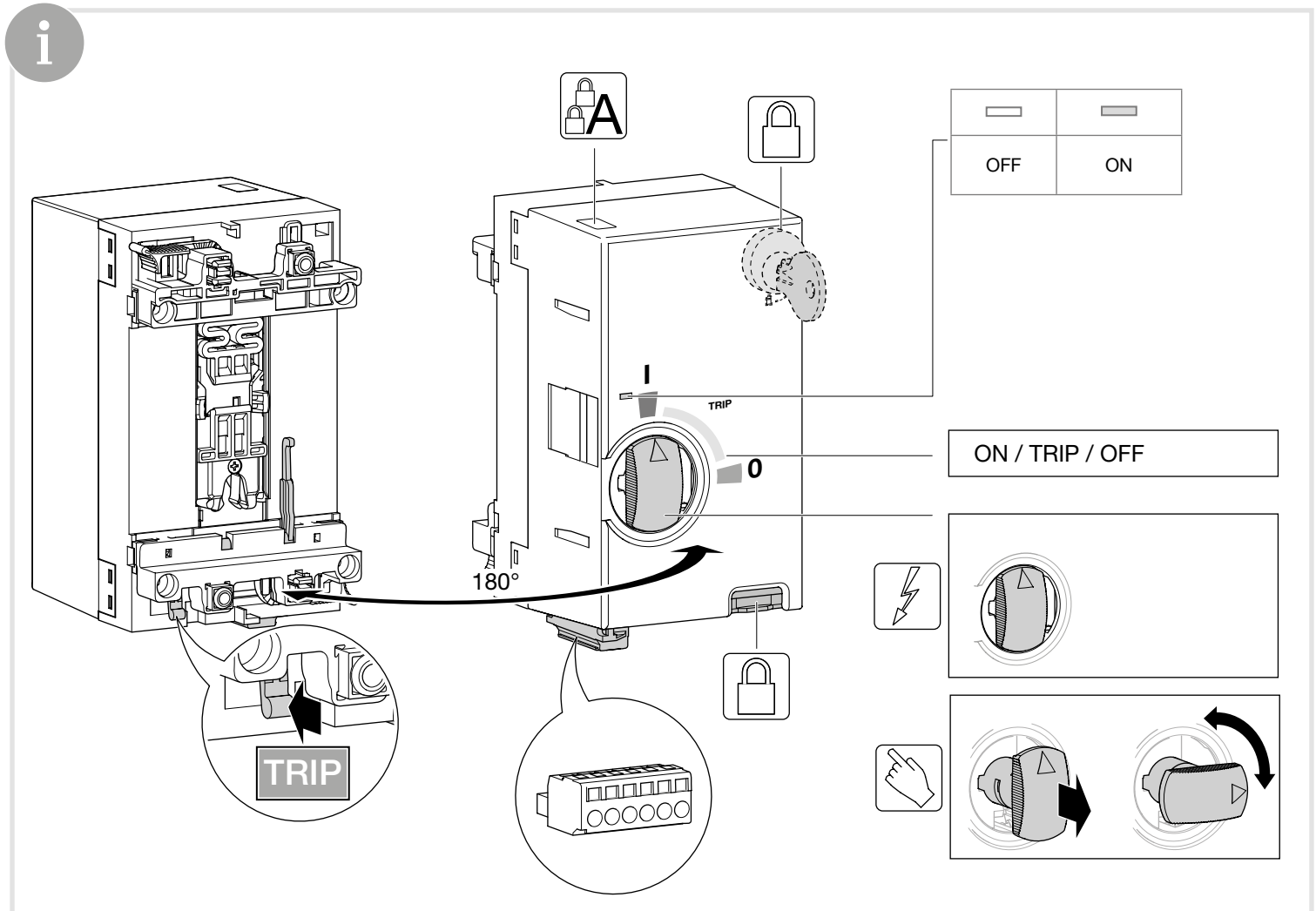
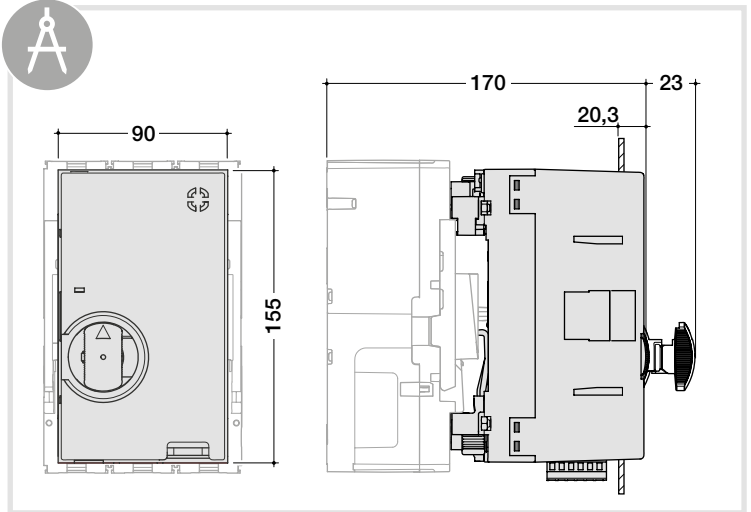
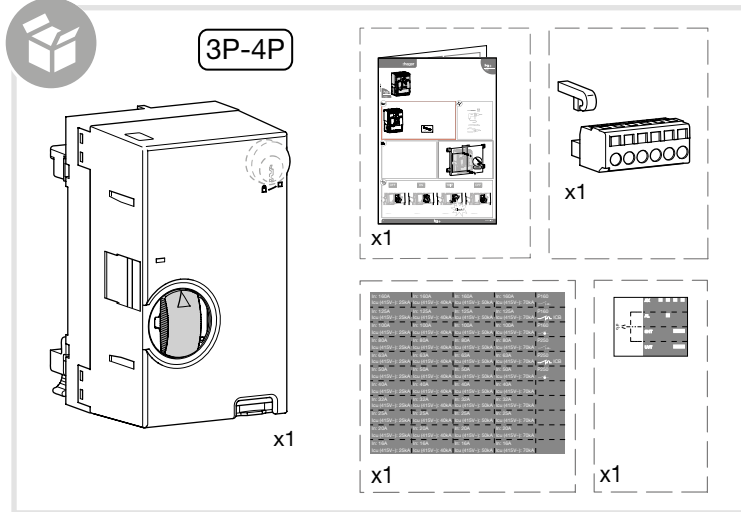
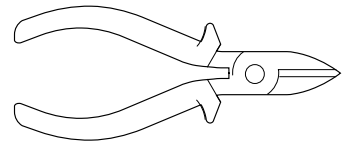
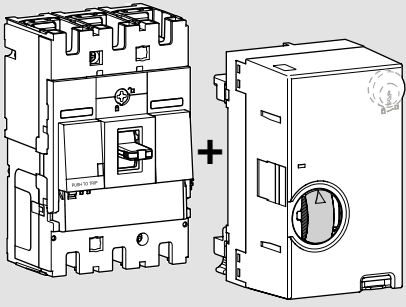
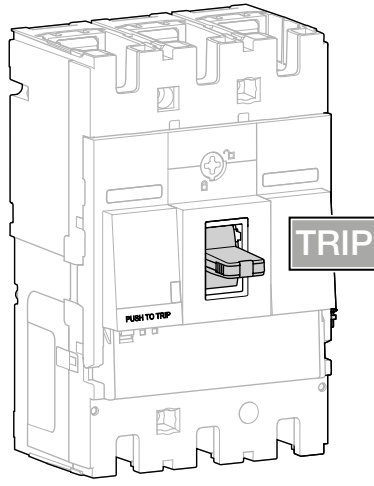


P250

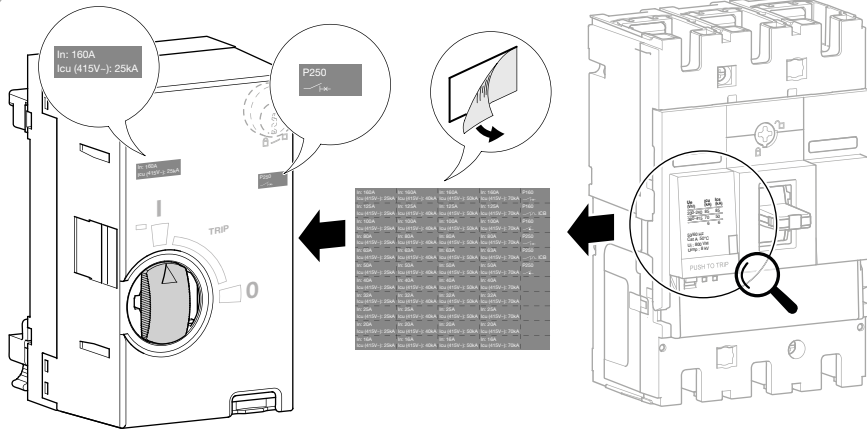




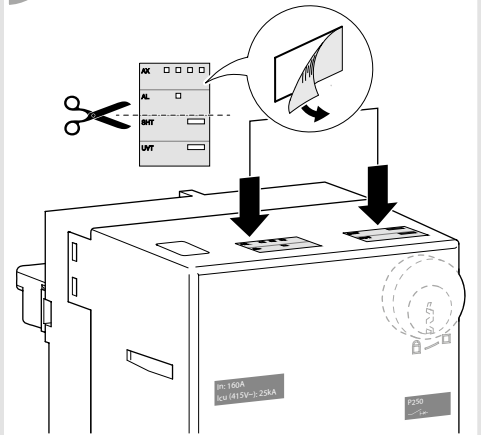
1



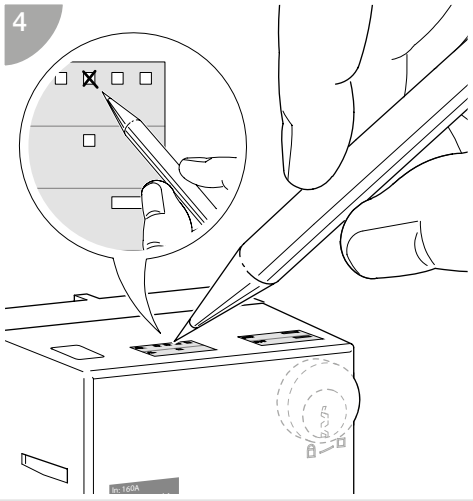
2



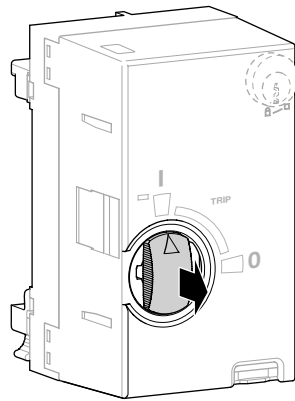
3



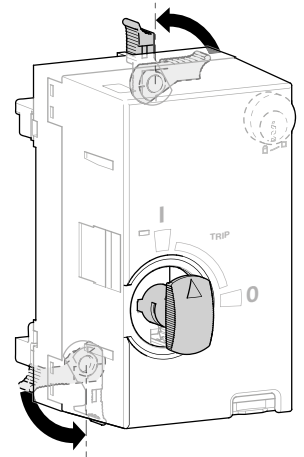
4



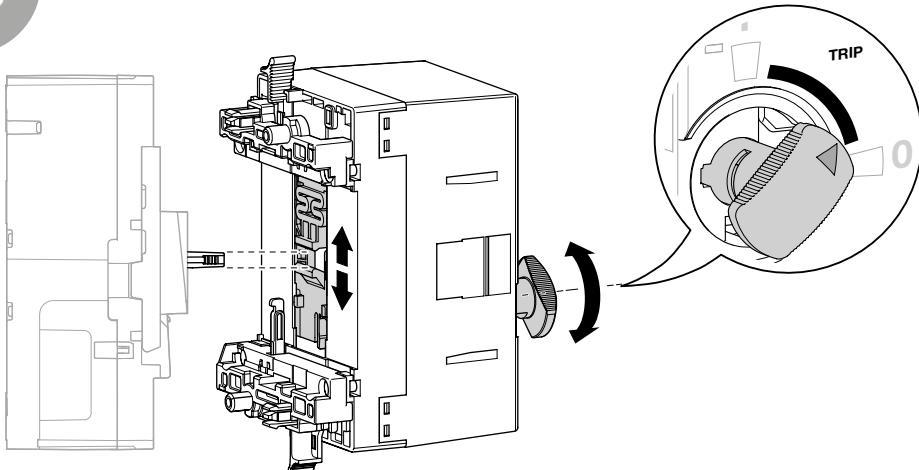
5



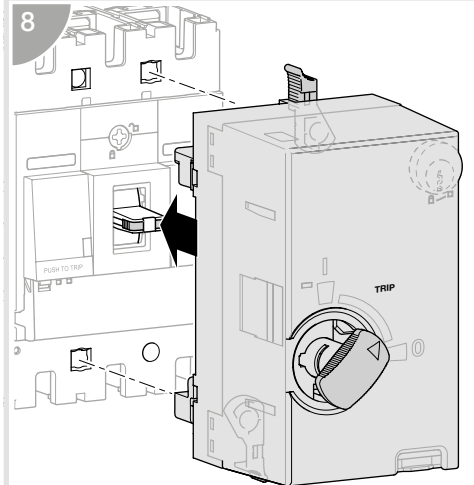
6

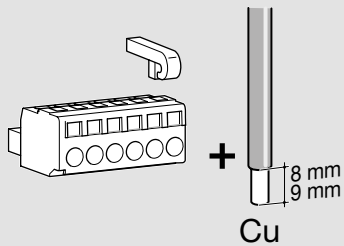
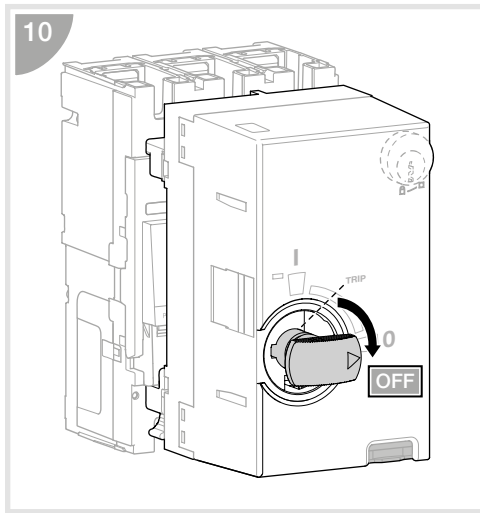
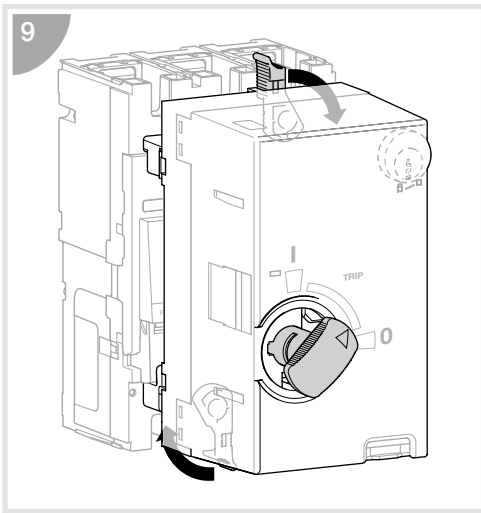


7

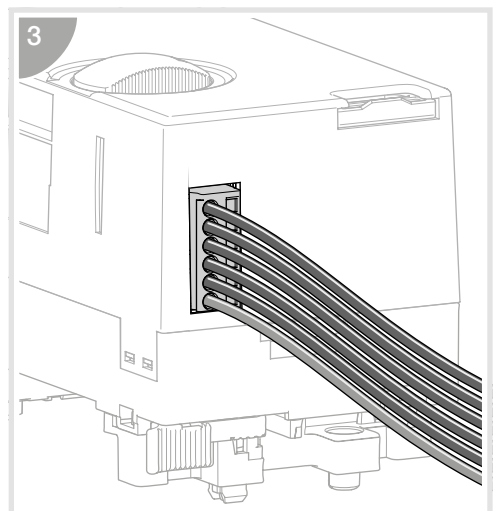
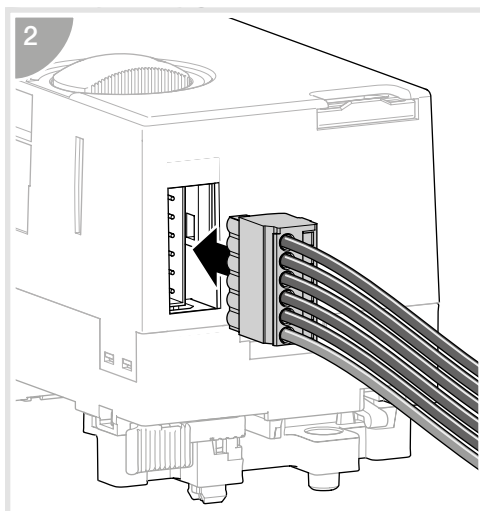
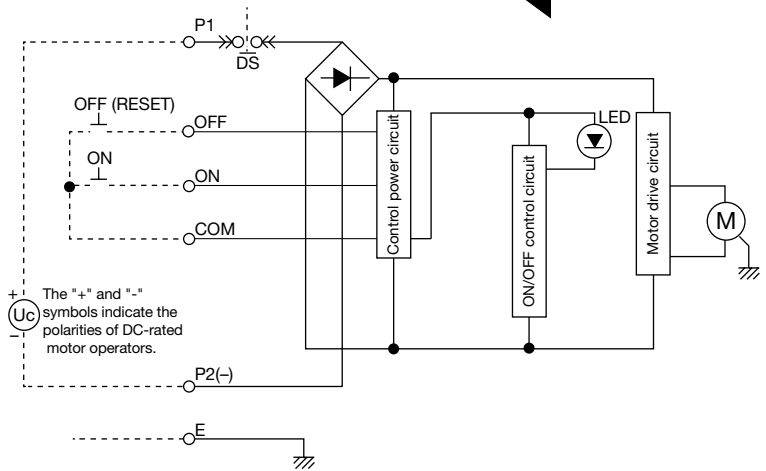
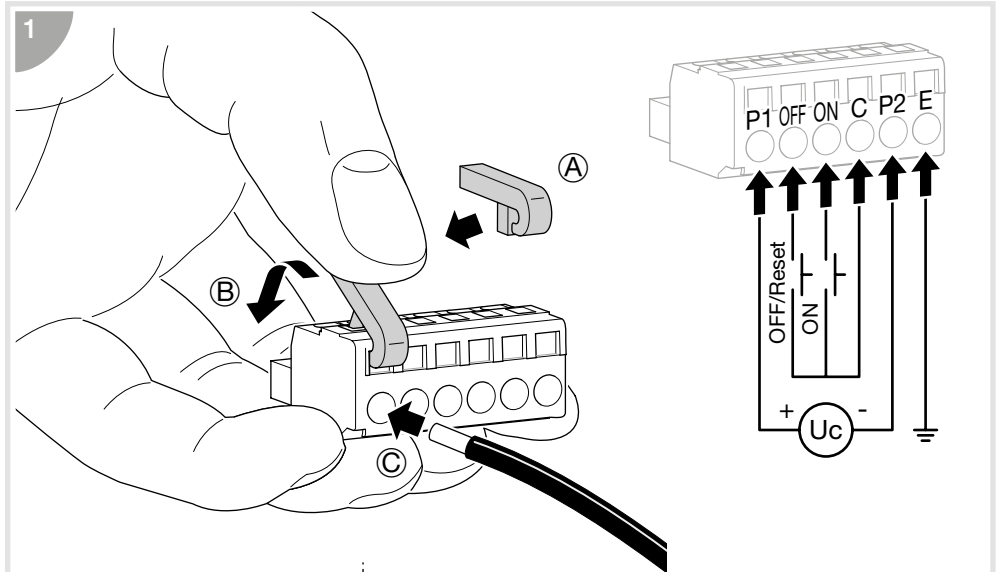



8




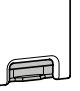



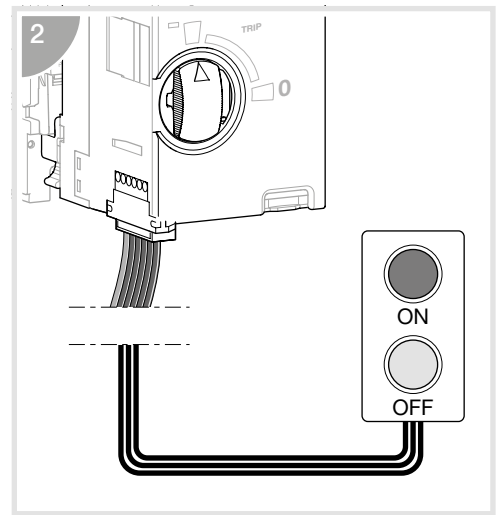
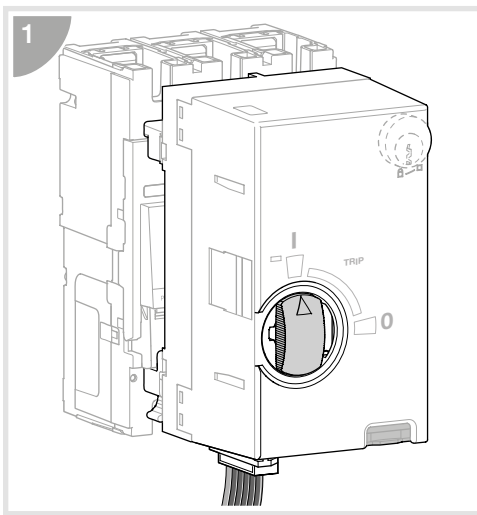



	min.	max.
	(mm ²)	
	0,8	2

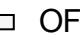


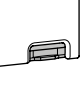



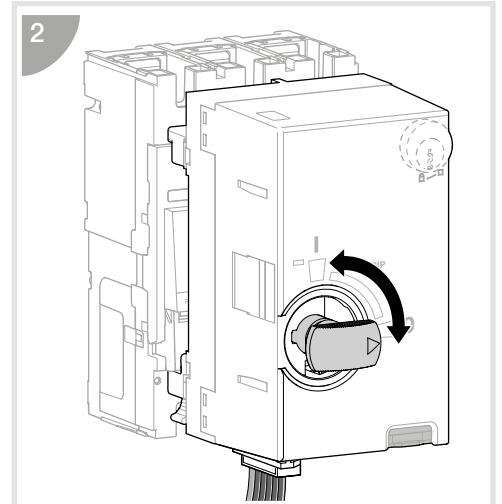
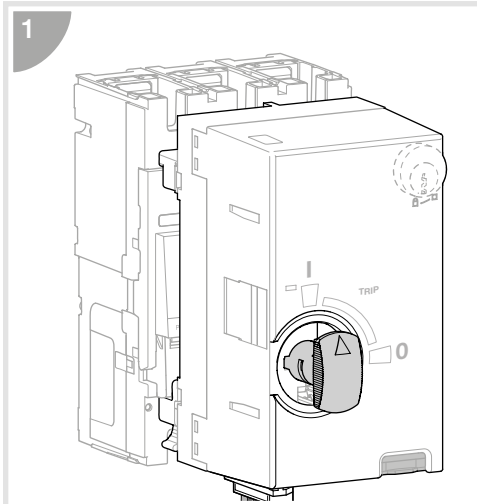
T 

①	 ON	✓	
②		✓	
③		✓	

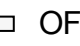




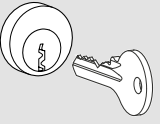
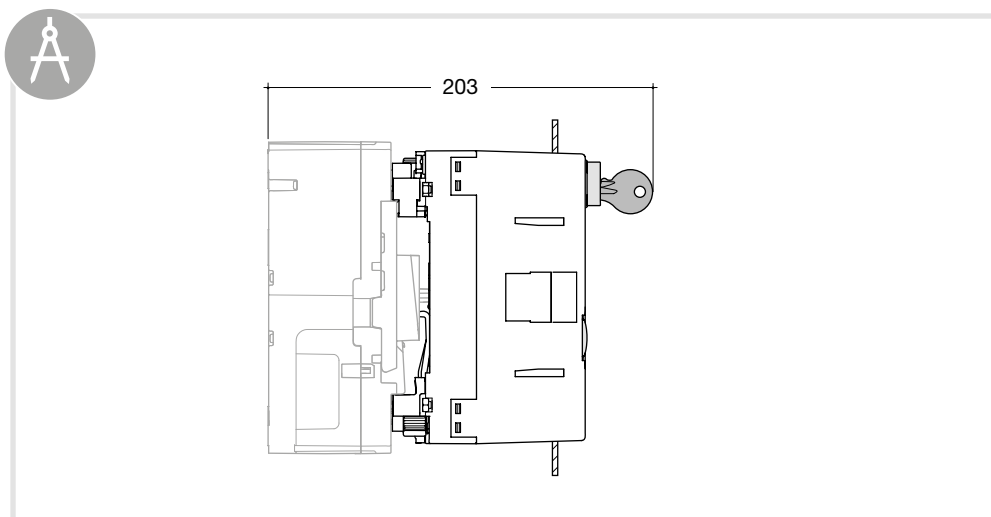
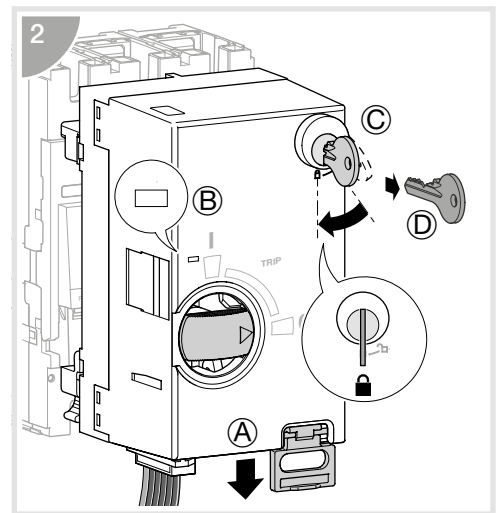
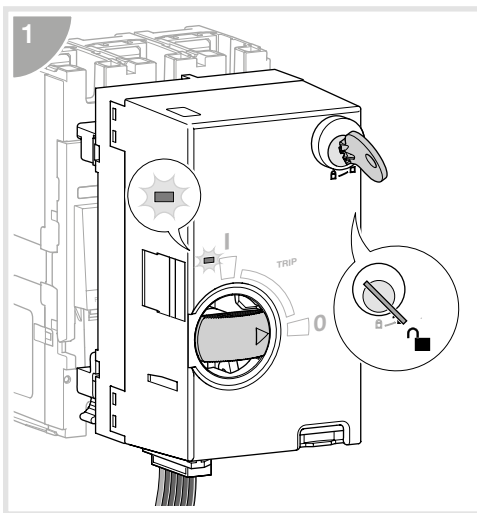
T 

①	 OFF	✓	
②		✓	
③		✓	



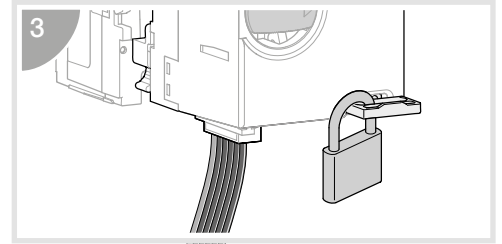
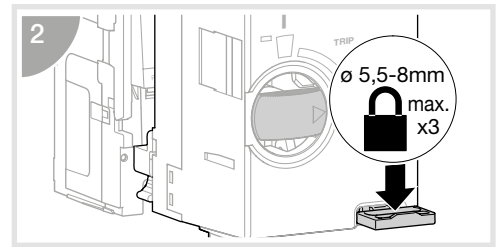
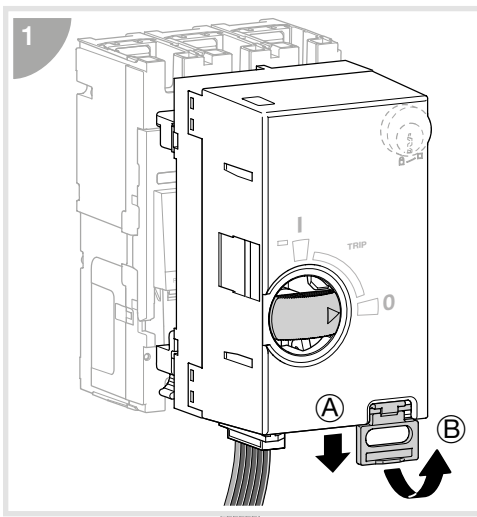
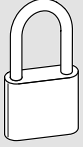
L

①	 OFF	✓	
②		✓	

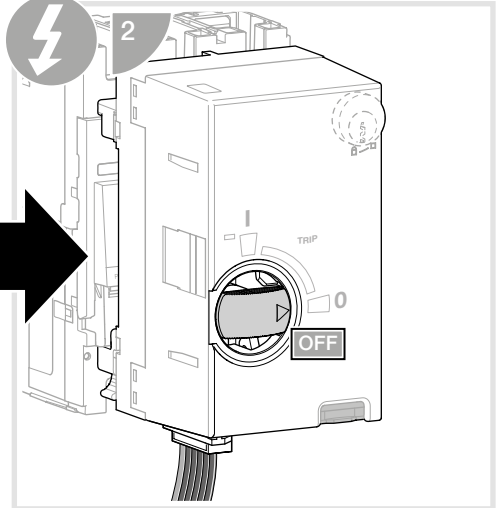
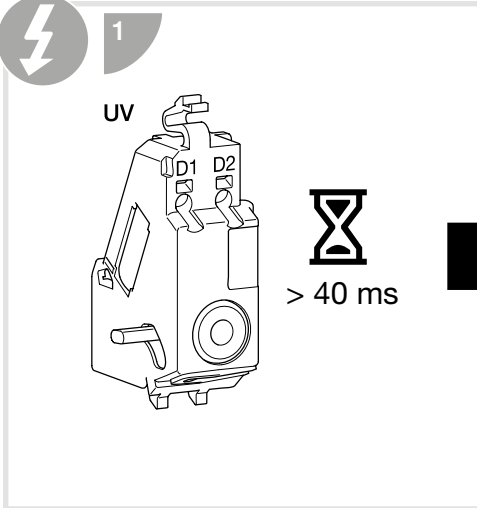
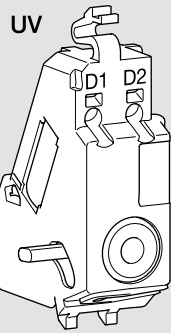





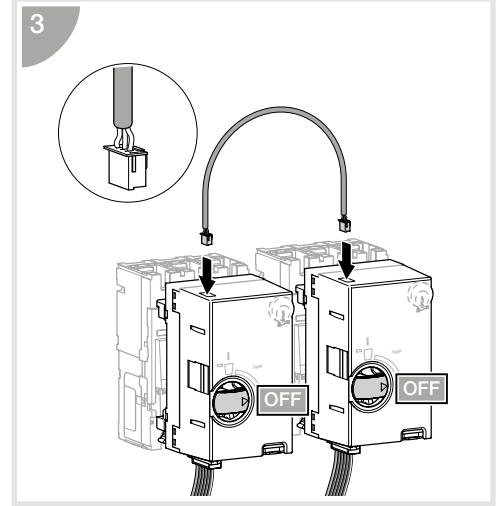
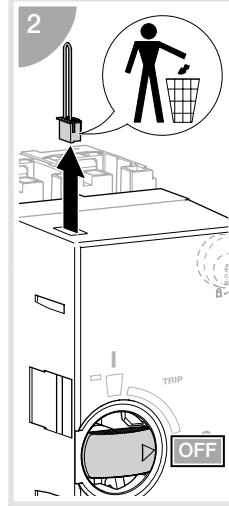
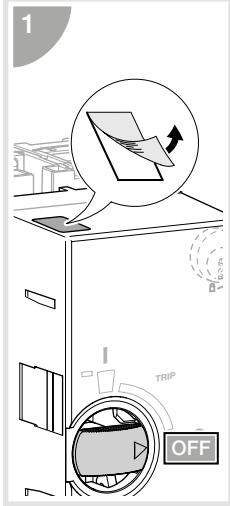
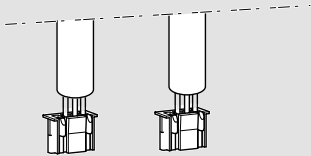
①	OFF	✓	
②		✓	



HXA011H HXA051H
HXA013H HXA053H
HXA014H HXA054H
HXA015H HXA055H

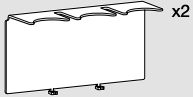


HXB068H
HXB069H

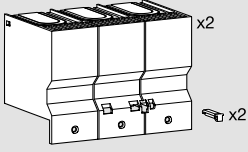




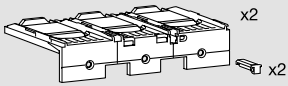
HYT050H (3P)
HYT051H (4P)



HYT021H (3P)
HYT022H (4P)



HYT025H (3P)
HYT026H (4P)



HYT023H (3P)
HYT024H (4P)

