

HORLOGE DIGITALE pour hôpital
DIGITAL CLOCK for hospitals

Style 5S Hôpital – NTP
Style 5S Hospital – NTP
Style 7S Hôpital – NTP
Style 7S Hospital – NTP



Notice d'installation et de mise en service
Installation and operation manual



www.bodet-time.com

BODET Time & Sport

1, rue du Général de Gaulle
49340 TREMENTINES | France

Tél. support France: 02.41.71.72.99

Tel. support (intl): +33 241 71 72 33



Réf : 607796E

S'assurer à réception que le produit n'a pas été endommagé durant le transport pour réserve au transporteur.
When receiving goods, please check that the item is not broken. If the product is damaged, a claim
should be addressed to the shipping company.

Table of contents

| | |
|--|-----------|
| I – Initial checks | 4 |
| 1.1 Unpacking the clock | 4 |
| 1.2 Cleaning | 4 |
| 1.3 Pre-requisites | 4 |
| II – Installation | 5 |
| 2.1 Clock installation | 5 |
| 2.2 Installing the keypad | 8 |
| III – Default configuration | 8 |
| IV – Basic configuration | 9 |
| 4.1 Setting time/date/year | 9 |
| 4.2 Manual configuration menu | 9 |
| V – Web interface | 10 |
| 5.1 Home page | 10 |
| 5.2 Network configuration | 11 |
| 5.3 Time configuration and synchronisation | 12 |
| 5.4 Parameters | 14 |
| 5.5 Alarm configuration | 15 |
| 5.6 System and protection | 17 |
| VI – Memory backup | 18 |
| VII – Technical specification | 18 |
| VIII – Maintenance menu | 19 |
| IX – What to do if... | 20 |

Table des matières

| | |
|---|-----------|
| I – Vérification initiale | 21 |
| 1.1 Déballage de l'horloge | 21 |
| 1.2 Nettoyage | 21 |
| 1.3 Pré-requis | 21 |
| II – Installation mécanique | 22 |
| 2.1 Montage de l'horloge | 22 |
| 2.2 Montage du pupitre | 25 |
| III – Configuration par défaut | 25 |
| IV – Configuration basique | 26 |
| 4.1 Réglage Heure/Date/Année | 26 |
| 4.2 Menu configuration manuelle | 26 |
| V – Configuration avancée | 27 |
| 5.1 Accueil | 27 |
| 5.2 Configuration réseau | 28 |
| 5.3 Configuration de l'heure et synchronisation | 29 |
| 5.4 Paramétrage | 31 |
| 5.5 Configuration des alarmes | 32 |
| 5.6 Système et protection | 34 |
| VI – Sauvegarde mémoire | 35 |
| VII – Caractéristiques techniques | 35 |
| VIII – Menu technicien | 36 |
| IX – Que faire si...? ...Vérifier. | 37 |

I – Initial checks

Thank you for choosing a BODET clock.

This product has been carefully designed, adhering to ISO 9001 quality processes, to ensure your satisfaction. We recommend that you read this manual and the general safety measures and operating instructions carefully before handling the clock.

Retain this manual for reference for the lifespan of your clock.

The information supplied is non-binding; Bodet reserves the right to make changes to equipment, including functional, technical and aesthetic changes or changes to colours, without notice.

Failure to observe these instructions may cause irreversible damage to the clock and invalidate the warranty.

These instructions relate to NTP models. For other models, please refer to the corresponding instructions.

1.1 Unpacking the clock

Carefully unpack the clock and check the contents of the package. This should include:

- Style 5S or 7S Hospital clock
- Anti-static cleaning kit
- Manual

- **IMPORTANT: product identification label**

An identification label is affixed to the back of the clock. Use the URL link shown to download these instructions.

1.2 Cleaning

Use an anti-static product identical to that in the cleaning kit provided.

Never use alcohol, acetone or other solvents, which may damage your clock's casing or glass.

1.3 Pre-requisites

To programme the clock you must install **BODET Detect** software. This software is available to download for free on the BODET website www.bodet-time.com.

Note: the BODET clock must be connected to a PoE network socket via a PoE switch or a PoE injector. (802.3af, class 3: multicast, class 0: unicast).

Bodet recommends the following devices:

- PoE injectors: Zyxel, Tp link, D-Link, HP, Cisco, Axis, ITE Power Supply, PhiHong, Abus, Globtek.
- PoE switches: D-Link, HP, Planet, Zyxel, Cisco, NetGear, PhiHong.

Select a location to install the clock, preferably away from sources of electrical interference, such as transformers.

II – Installation

2.1 Clock installation

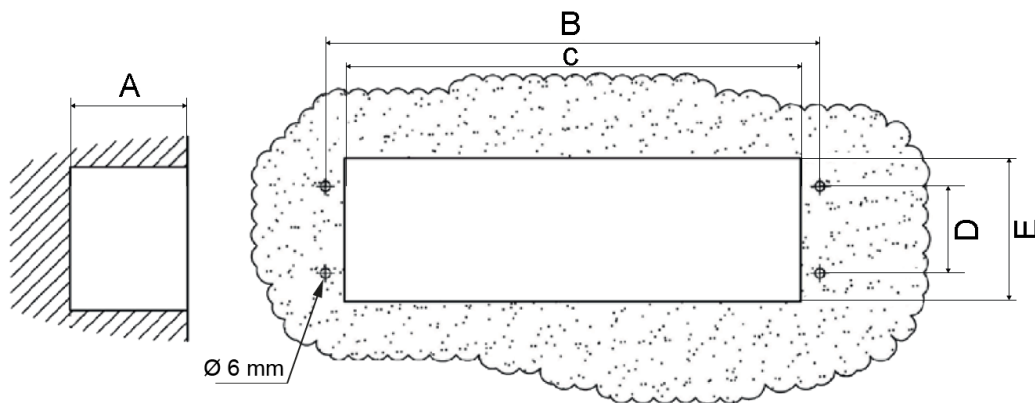
2.1.1 Mounting without back cover

According to the model of the clock make the cut-out following the dimensions listed in table below:

| | A | B | C | D | E |
|-------------|----|-----|-----|----|-----|
| Style 5S OP | 46 | 400 | 366 | 68 | 109 |
| Style 7S OP | | 440 | 406 | 85 | 125 |

Dimensions in mm

a) Insert the clock in the cut-out in order to mark the position of the 4 mounting screws.



- Remove the clock and drill 4 holes $\varnothing 6 \text{ mm}$ to insert the wall plugs.
- Feed the power cable and the synchronisation cable through the cut-out.
- Connect the clock, adjust the brightness (refer to page 7) and set the time (refer to page 9).
- Apply a silicone seal between the clock and the wall.
- Fix the clock to the wall with the 4 screws $\varnothing 4 \text{ mm}$.



Installation **without** the back cover

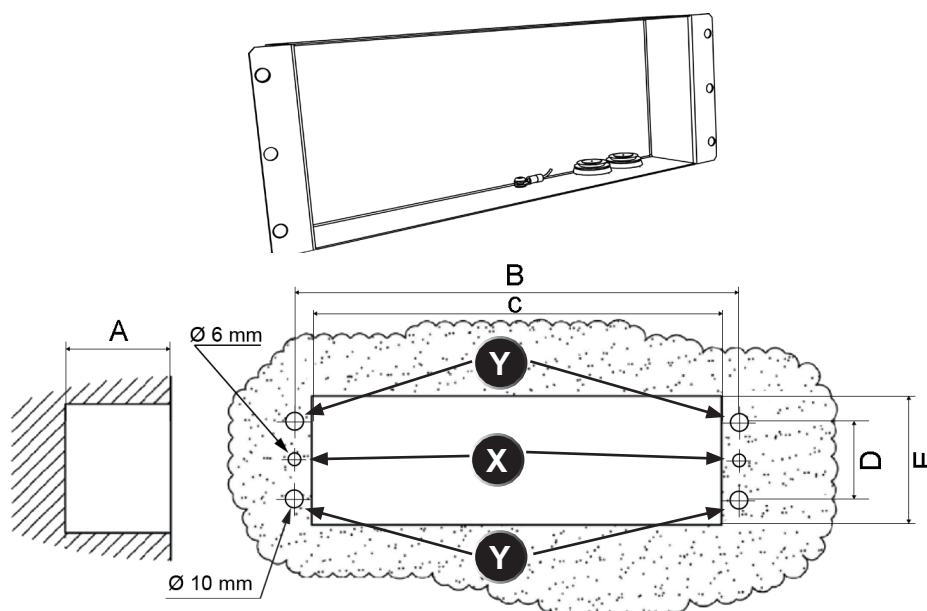
2.1.2 Mounting with back cover

According to the model of the clock make the cut-out following the dimensions listed in table below:

| | A | B | C | D | E |
|-------------|----|-----|-----|----|-----|
| Style 5S OP | 46 | 400 | 366 | 68 | 109 |
| Style 7S OP | | 440 | 406 | 85 | 125 |

Dimensions in mm

a) Insert the back cover in the cut-out in order to mark the position of the 6 mounting screws.



b) Remove the back cover and drill 2 holes $\varnothing 6$ mm (**X**) to insert the wall plugs for the back cover mounting.

c) Drill 4 holes $\varnothing 10$ mm (**Y**) to make room for the 4 clock mounting rivets.

d) Feed the power cable and the synchronisation cable through the cut-out and cable glands of the back cover.

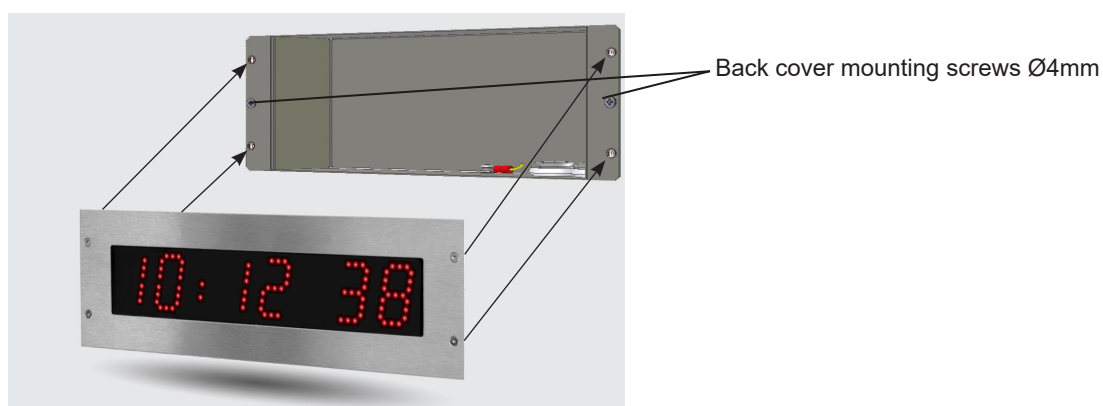
e) Apply a silicone seal between the back cover (fixing brackets) and the wall.

f) Fix the back cover to the wall with the 2 screws $\varnothing 4$ mm.

g) Connect the clock, adjust the brightness (page 7) and set the time (refer to page 9).

h) Apply a silicone seal between the back cover and the clock.

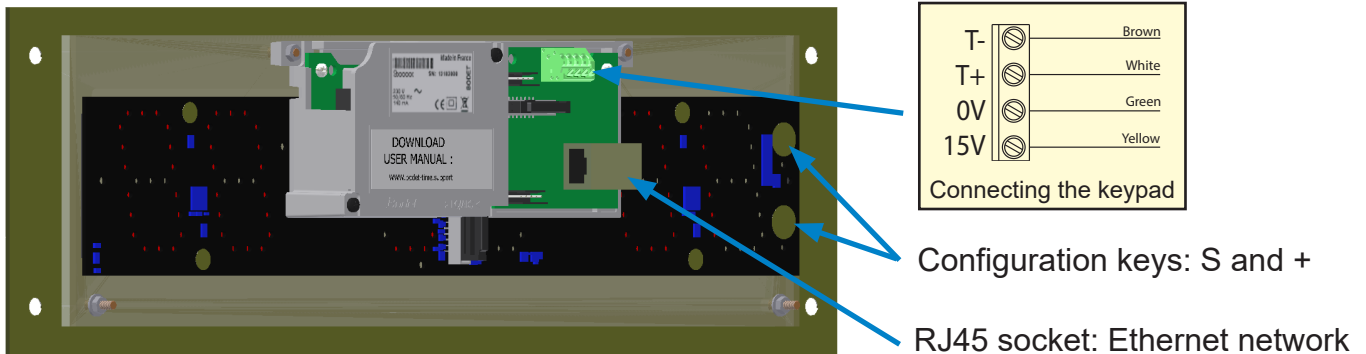
i) Fix the clock to the back cover with the 4 screws $\varnothing 4$ mm.



Installation **with** the back cover

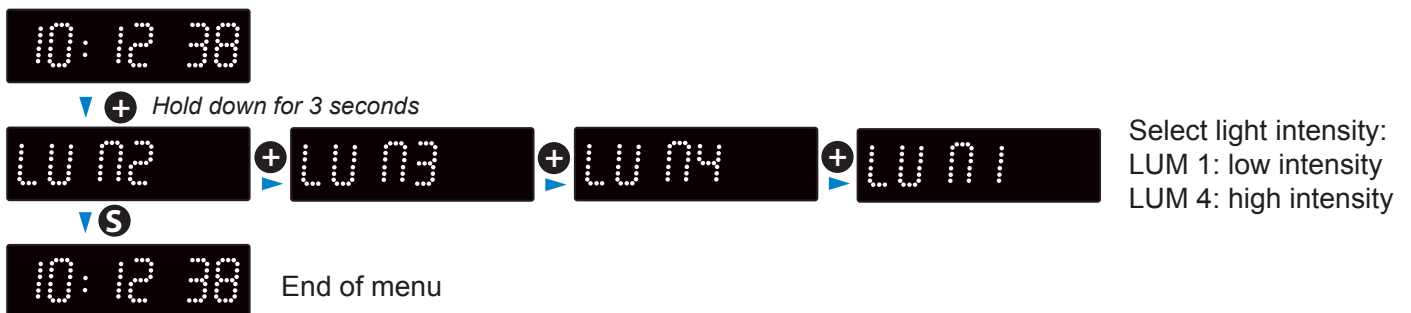
2.1.3 Connections

- Connect the electronic board (see next page) and the keypad (optional) to the terminal strip on the back of the clock.



**Example of a Style 5S Hospital
Impulse synchronisation electronic board**

- Set the brightness by pressing the "S" and "+" keys on the back of the clock (see above).
- Brightness may be adjusted when the Style clock is in normal use mode, i.e. in neither the configuration menu, nor in the set time menu. The default brightness is level 3.



The luminosity can also be adjusted via the embedded web server of the clocks (page 14).

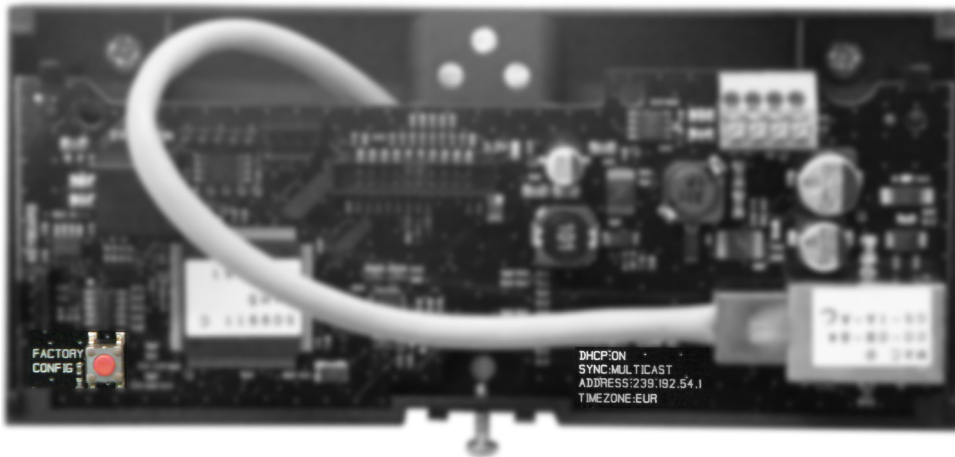
2.2 Installing the keypad

To install and use the keypad (including in timer mode), refer to the instructions supplied with the keypad.

III – Default configuration

Restore factory settings by keeping the red button on the electronic board pressed until the clock turns black.

Location of button on the electronic board:



The full factory configuration is as follows:

- IP configuration by DHCP (DHCP: ON)
- Time zone: EUR
- Synchronisation: Multicast
- Synchronisation address: 239.192.54.1

These four parameters are printed on the electronic board.

- Clock name: "BODET-@MAC"
- Pool period for unicast synchronisation: 15 mins.
- SNMP disabled
- Trap type: V2C
- Temperature alarm threshold: -5°C to +55°C
- Trap status issue period: 24 hr
- No password
- Luminosity: level 3
- 12 hr/24 hr mode: 24 hr
- Eco mode: Nor
- ON & OFF time: 23 hours OFF / 6 hours ON

On the electronic board connector:

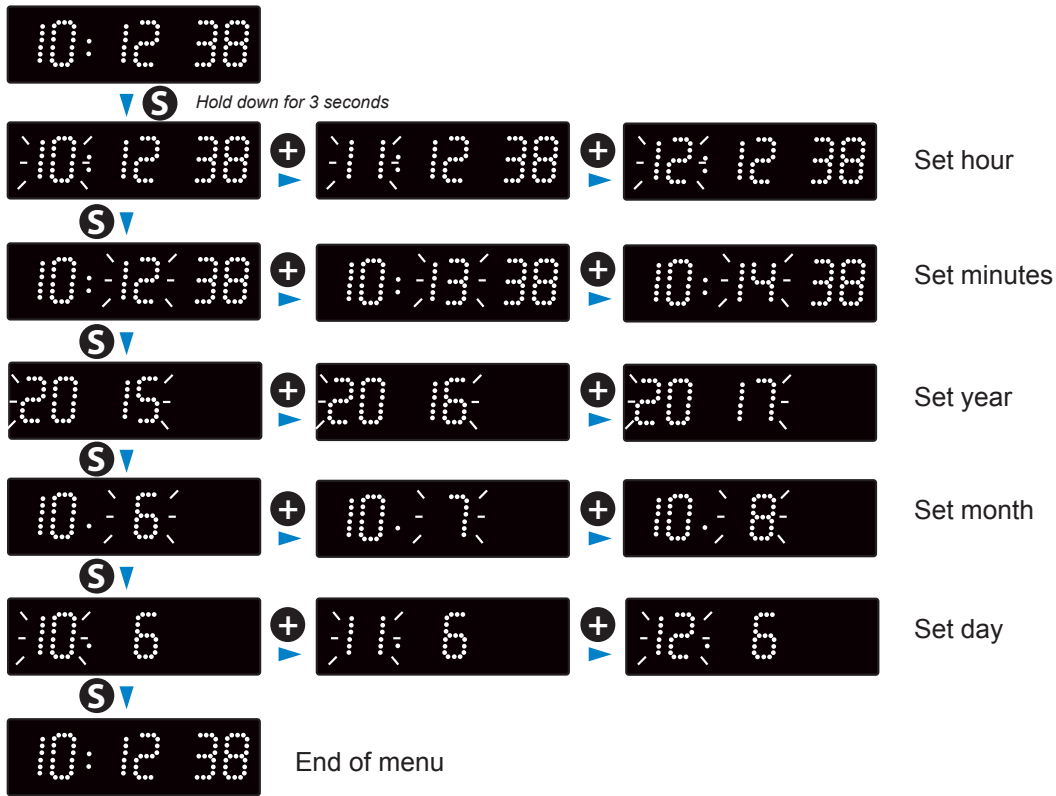
Green LED: network activity + power supply

Yellow LED: network type (ON = 100 m, OFF = 10 m)

IV – Basic configuration

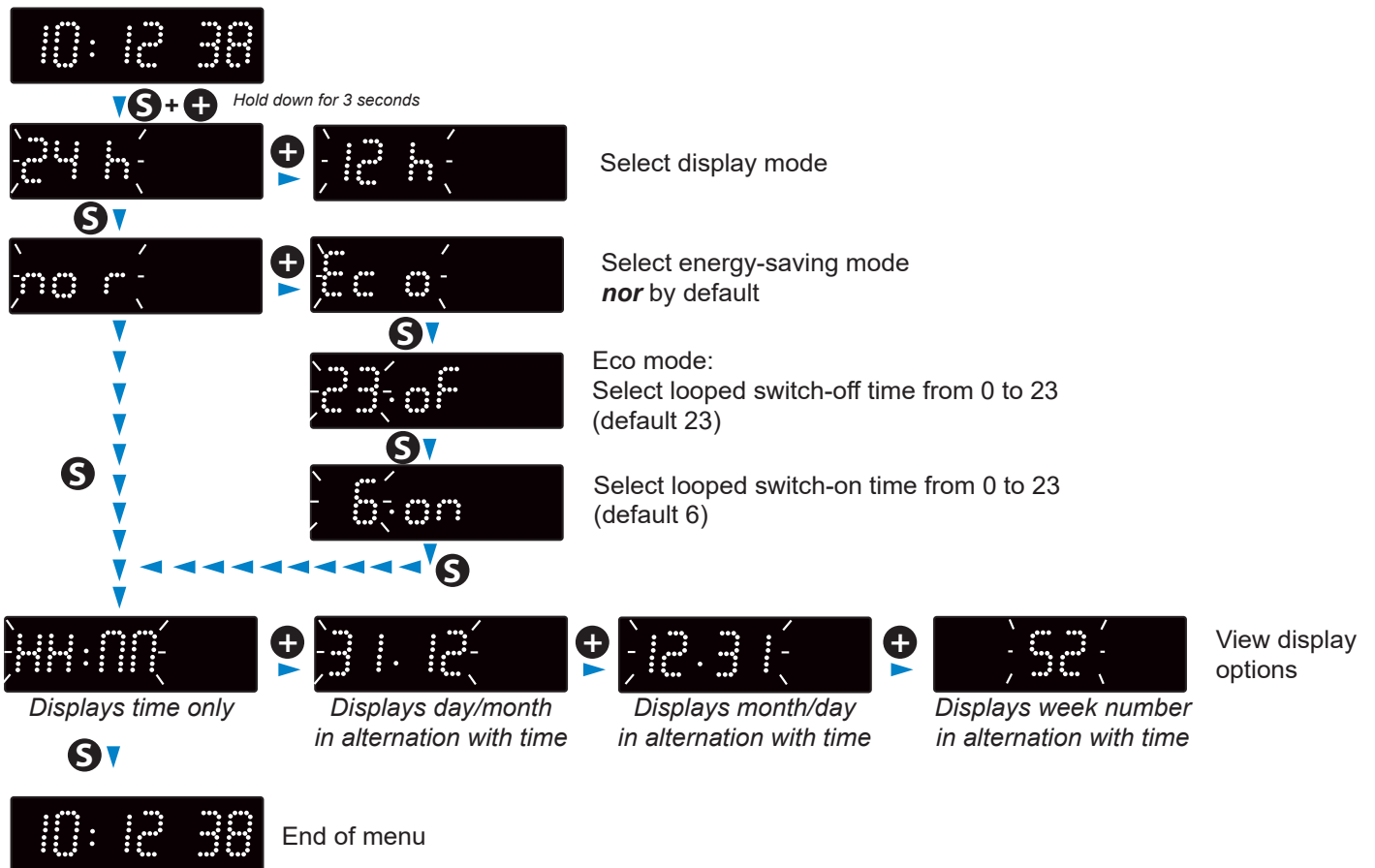
4.1 Setting time/date/year

To set time, date and year, press and hold "S" for 3 seconds.



4.2 Manual configuration menu

Access the configuration menu by pressing and holding "S" then "+" for 3 seconds.



This configuration can also be set in the clock's embedded web server.

V – Web interface

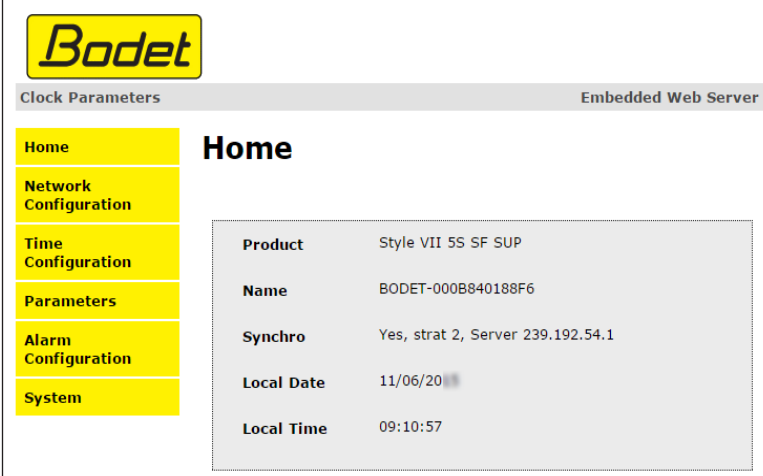
There are two ways to access the web interface to configure the clock:

- 1) Open an web browser and enter the IP address of the clock in the address bar. The clock IP address is allocated automatically or entered by the installer (page 11).
- 2) Run BODET Detect software and click on  to open the appropriate web server for the networked clock (refer to the software instructions, ref.: 607548).

BODET Detect can be used to:

- Detect all clocks on the network
- Configure each clock (individually or by copying the settings for one clock to a group of clocks)
- Update the clock's software version
- Check clock status
- Access downloaded MIB files

5.1 Home page

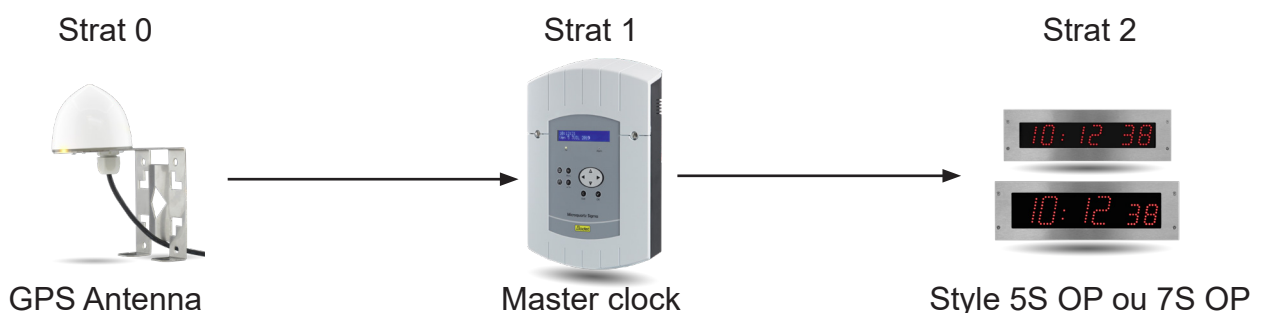


| Clock Parameters | | Embedded Web Server | |
|-------------------|-----------------------------------|---------------------|--|
| Home | | | |
| Home | | | |
| Product | Style VII 5S SF SUP | | |
| Name | BODET-000B840188F6 | | |
| Synchro | Yes, strat 2, Server 239.192.54.1 | | |
| Local Date | 11/06/20 | | |
| Local Time | 09:10:57 | | |

The clock web server home page contains general information about the clock. The information is displayed as follows:

- **Product:** product type + SF (Single Face) or DF (Double Face) + SUP (Supervised).
- **Name:** user-defined clock name (default: Bodet-@MAC).
- **Synchro:** synchronisation status ("Strat 2" indicates that the clock is at the 2nd level from the synchronisation source) + IP address of the server on which the clock is synchronised.

Example:



- **Local date:** current date.
- **Local time:** current time.

5.2 Network configuration

Bodet

Clock Parameters Embedded Web Server

Home

Network Configuration

Time Configuration

Parameters

Alarm Configuration

System

Network Configuration

This page allows the configuration of the clock's network settings.

CAUTION: Incorrect settings may cause the clock to lose network connectivity.

Enter the new settings below:

| | |
|--|---|
| MAC Address | 00:0B:84:01:88:F6 |
| Name | BODET-000B840188F6 |
| | <input checked="" type="checkbox"/> Enable DHCP |
| IP Address | 10.17.10.52 |
| Subnet Mask | 255.255.0.0 |
| Gateway | |
| DNS Address | |
| <input type="button" value="Save and Reboot"/> | |

This page is used to configure the clock on the network. The warning indicates that the clock might lose network connectivity if the settings are incorrect.

The following information is displayed:

- **MAC Address:** This is the clock's MAC address. This address is unique to each device. This number is indicated on a label on the back of the Bodet clock.
- **Name:** User-defined clock name.
- **Enable DHCP checkbox:** If checked, the device's network IP settings will be configured automatically.
If this box is unchecked, the following settings are available:
- **IP Address:** Manually sets the device's IP address (required).
- **Subnet Mask:** The subnet mask associates a clock with the local network (required).
- **Gateway:** The gateway can be used to connect the clock to two data networks.
- **DNS Address:** This can be used to associate a domain name with an IP address. This avoids having to enter an IP address in the browser as a user-defined name can be used instead. For example: www.bodet.com is easier to remember than 172.17.10.88.

saves your configuration and reboots the clock.

5.3 Time configuration and synchronisation

Bodet
Clock Parameters Embedded Web Server

Time Configuration

Time Zone

Time Zone: Paris (GMT+01:00) [v]
[Save]

Synchronisation

NTP Mode: Multicast [v]
 Address IP 1: 239.192.54.1
 Address IP 2: []
 Address IP 3: []
 Address IP 4: []
 Address IP 5: []
 Periodicity: 15 (1 to 999 minutes)
 Continue to display time after synchronisation failure
 [Save]

The Time Configuration page is divided into two parts. One is used to set the time zone, the other to set the synchronisation mode.

The following information is displayed:

- **Time zone:** The time zone can be selected from the dropdown menu (summer/winter time is handled automatically depending on the selected time zone). A default undefined time zone can also be set in the dropdown menu (“PROG”).

Select “PROG” in the dropdown menu to set time, month, fixed day or schedule for time changeovers:

Bodet
Clock Parameters Embedded Web Server

Time Configuration

Time Zone

Time Zone: PROG [v]
 GMT Offset: + [v] 0H [v] 0 [v]
 Enable Time Changeovers
 Summer Time: March [v] last [v] Sunday [v]
 Winter Time: October [v] last [v] Sunday [v]
 [Save]

Synchronisation

NTP Mode: Multicast [v]
 Address IP 1: 239.192.54.1
 Address IP 2: []
 Address IP 3: []
 Address IP 4: []
 Address IP 5: []
 Periodicity: 15 (1 to 999 minutes)
 Continue to display time after synchronisation failure
 [Save]

- **NTP Mode:** Used to select one of 3 mode types:
 - o **Unicast:** In Address IP 1, enter the IP address of the NTP server. In this case, it is the clock that calls the NTP server.
It is also possible to set up redundancy (if the first server fails to respond, the second is requested and so on). For this purpose up to 5 server addresses may be entered (IP address 1/2/3/4/5).
The Periodicity field sets the frequency with which the clock requests the configured NTP servers.
 - o **Multicast:** In this case, the NTP server broadcasts the time on the Multicast address given to it. The Multicast address of the clients (receivers) must be the same as that on which the server broadcasts.
By default, Bodet products transmit or receive using the Multicast address: 239.192.54.1
The Multicast addresses are included between 224.0.0.0 and 239.255.255.255.
 - o **By DHCP:** As for Unicast mode, except the NTP server addresses are automatically retrieved via the DHCP server (option 42 enabled on the DHCP server).

The checkbox "Continue to display" is used to define how the clock should respond if NTP synchronisation has been lost for 48 hours:

- If "Continue to display" is OFF, the clock blacks out and the colon is fixed.
- If "Continue to display" is ON, the clock continues to operate using its internal time base and the colon ":" ceases to flash.

is used to save any settings made on this page.

5.4 Parameters

Bodet

Clock Parameters Embedded Web Server

Parameters

Home
Network Configuration
Time Configuration
Parameters
Alarm Configuration
System

Display

luminosity Level 2 ▾

Mode 12H/24H 12H 24H

Eco Mode Eco Normal

ON & OFF Time 23 H : OFF 6 H : ON
 Customize

Alternate Display Week number ▾

Save

This page is used to configure the clock display on the network.

The following information is displayed:

- **Luminosity:** Used to set clock brightness between 4 levels from 1 (low) to 4 (high). Default brightness is 3.
- **Mode 12H/24H:** Used to display the time in 12- hour or 24-hour mode. Example: 8:00 (in 12-hour mode) or 20:00 (in 24-hour mode).
- **Eco Mode:** Used to enable the clock's energy-saving mode. In Eco mode, the clock displays the flashing colon and is set to minimum brightness (level 1). This mode is set for a period configured below (ON & OFF Time). This mode is disabled if the user opens the configuration menu (using the "S" and "+" keys) or changes the settings on the web server or if the clock is rebooted.
- **ON & OFF Time:** Used to define the period when Eco mode is enabled. This mode is only enabled when the status changes. Example: if Eco mode is set at 8:30 for 8:00 (day D), the clock switches to this mode at 8:00 on the following day (D+1).
- **Alternate Display:** Used to select which information is displayed in alternation with the time display. Time display can alternate with week number, date + month or the month + date.

Save

is used to save any settings made on this page.

5.5 Alarm configuration

| Enable Alarms | Parameters |
|---|---|
| <input checked="" type="checkbox"/> Synchronisation failure ⚠ | |
| <input checked="" type="checkbox"/> Reboot 🔄 | |
| <input checked="" type="checkbox"/> Temperature ⚠ | Thresholds <input type="text" value="-5"/> °C <input type="text" value="+55"/> °C |
| <input checked="" type="checkbox"/> Manipulation ⚠ | |
| <input checked="" type="checkbox"/> Server access ⚠ | |
| <input checked="" type="checkbox"/> Authentication failure ⚠ | |
| <input checked="" type="checkbox"/> Periodic Status 🔄 | Period (h) <input type="text" value="24"/> |

This page is used to enable clock supervision, to define the information to be transmitted and the destination server. One or more settings can be defined and configured as alarms.

The following information is displayed:

- **Enable SNMP Trap:** If enabled, error messages are sent to the SNMP Manager(s) automatically.
- **SNMP Manager 1/2/3:** IP addresses of servers receiving alerts from the clocks. SNMP Manager redundancy increases the reliability of alerts.
- **Community:** A set of clocks defined by the user. All the clocks on the network must have the same Community name.
- **Synchronisation failure:** This setting is used to detect synchronisation discrepancies with the master clock (type Sigma) or the time server (type Netsilon).
 - Multicast: Alarm triggered when the multicast synchronisation is absent for at least 1 hour
 - Unicast: Alarm triggered when the unicast synchronisation is absent for 3 times the duration of the poll (periodicity) and at least 1 hour (allowing for the NTP server maintenance)
- **Reboot:** This setting is used to detect a clock reboot.
- **Temperature:** This setting is used to warn that the temperature range has been exceeded (variable temperature range).
- **Manipulation:** This setting is used to trigger an alert if a setting is changed manually on the clock (using the "S" and "+" keys).

- **Server access:** This setting is used to trigger an alert if a user connects to the web server of the clock.
- **Authentication failure:** This setting is used to trigger an alert if a user sends an incorrect ID to the web server of the clock.
- **Periodic Status:** This setting is used to verify that the device is still working correctly (in case alerts are "lost"). This verification is carried out at a set frequency.



Information: The errors or faults reported are **minor** and a visit by a maintenance technician to correct the fault is not strictly necessary.



Warning: The errors or faults reported are **significant** and a visit by a maintenance technician to correct the fault is necessary.



Critical: The errors or faults reported are **serious** and an urgent visit by a maintenance technician to correct the fault is necessary.

Save

is used to save any settings made on this page.

Send status trap

is used to send a trap status to all of the configured SNMP managers to ensure that supervision is configured correctly.

5.6 System and protection

Bodet

Clock Parameters Embedded Web Server

System

Firmware V1.1A02 09/06/15
Uptime 0d 01h 41m
DateCode

CAUTION: The correct password is required for the connection with the Embedded Web Server.

Enable authentication

Username
New Password
Confirm New Password

CAUTION: Reboot will cause the loss of the network connection.

CAUTION: Factory configuration will cause the loss of all your parameters and may cause the clock to lose network connectivity.

This page is divided into four parts as follows:

Part 1: Information panel displaying software version, time elapsed since the clock was powered on and the date of manufacture of the product (year/week).

Part 2: A warning message to inform the user that once set, the correct password must be used to establish the connection with the web server. To save a user name and password, enter the information in the fields provided for this purpose. Click to store your new ID and password.

Part 3: A warning message to inform the user that a clock reboot will cause network connectivity to be lost when the reboot occurs. The button reboots the clock.

Part 4: A warning message to inform the user that a reboot restoring factory settings will delete all user-defined settings and may cause the clock to lose network connectivity if there is no DHCP server on the network. The button reboots the clock, restoring factory settings.

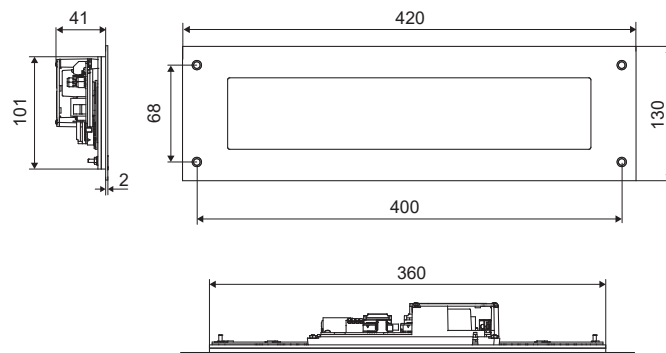
VI – Memory backup

Style clocks have a permanent backup feature which stores all of the configuration parameters and display settings, even in the event of prolonged power failure.

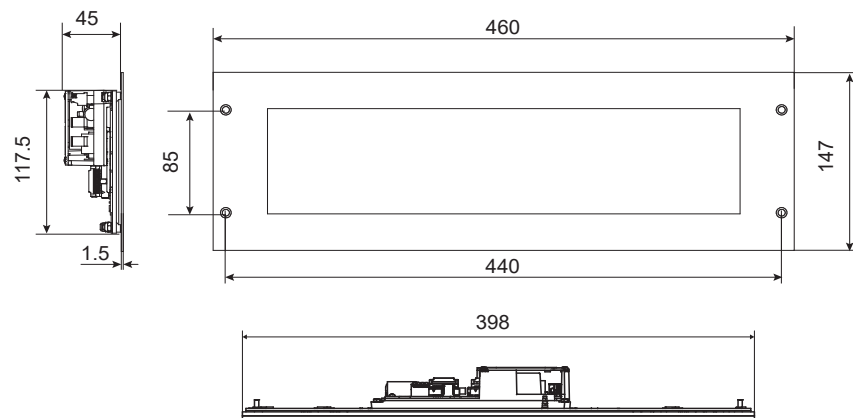
VII – Technical specifications

- Synchronisation: RFC 2030-compliant (SNTP V4), unicast and multicast mode or via DHCP.
- Synchronisation status: colon flashes if the clock is synchronised; colon steady then blackout if a clock is not synchronised
- Network connection: 10Base-T/100Base-TX
- Power supply: PoE (Power over Ethernet)
- Power consumption: 4W
- Accuracy: ± 0.1 s with automatic changeover to summer/winter time
- Operating temperature: -5°C to $+55^{\circ}\text{C}$
- Protection rating: IP65, IK07 (Style 7S OP), IK09 (Style 5S OP).
- Compliance: directives LVD 2014/35/EU and EMC 2014/30/EU.

Style 5S OP



Style 7S OP



VIII – Maintenance menu

To access the maintenance menu, open the configuration menu by pressing and holding "S" then "+" for 3 seconds. Release both keys, then press and hold "S", then "+" again for 7 seconds.

10:12:38

▼ S + + Hold down for 3 seconds

24 h

Open configuration menu

▼ S + + Hold down for 7 seconds

1A 02

Software version

▼ S

nt P

+ nt P I

Select synchronisation mode: NTP or independent NTP (clock operates using its internal time base)

▼ S

rst Y

+ rst Y

Reset clock (enabled if "rstY" is selected)

▼ S

dF n

+ dF y

Restore factory settings (enabled if "dF Y" is selected)

▼ S

88:88 88

Display test (tests for correct functioning of all LEDs)

▼ S

10:12:38

End of menu

IX – What to do if...

| What to do if... | Check that... |
|---|--|
| There is no synchronisation after installation. | <ol style="list-style-type: none"> 1) The signal type sent by the master clock is the same as the clock's signal type. 2) The NTP server is on the same network as the slave (IP addresses, subnet mask and gateways). |
| The NTP slave time is incorrect. | <ol style="list-style-type: none"> 1) The time zone selected on the web server is correct. |
| There is no DHCP server on the network. | <ol style="list-style-type: none"> 1) The default network configuration on the clock is as follows: <ul style="list-style-type: none"> – IP: 172.17.30.110 – MASK: 255.255.0.0 – GATEWAY: 0.0.0.0 – DNS: 0.0.0.0 |
| One of the Style clocks does not switch on or repeatedly reboots. | <ol style="list-style-type: none"> 1) The maximum power from the PoE switch is sufficient to supply all of the clocks connected to the switch. 2) Cable length is less than 100 metres (refer to the network wiring standards). 3) All switch outputs are PoE-compatible. |

I – Vérification initiale

Nous vous remercions d'avoir choisi une horloge BODET.

Ce produit a été conçu avec soin pour votre satisfaction d'après les bases qualité ISO9001. Nous vous recommandons, de lire attentivement ce manuel ainsi que les consignes générales de sécurité et précautions d'utilisation avant de commencer à manipuler l'horloge.

Conserver ce manuel pendant toute la durée de vie de votre horloge afin de pouvoir vous y reporter à chaque fois que cela sera nécessaire.

Données non contractuelles. Bodet se réserve le droit d'apporter aux appareils certaines modifications fonctionnelles, techniques, esthétiques, ou de couleurs, sans préavis.

Tout usage non conforme à la présente notice peut causer des dommages irréversibles sur l'horloge, et entraîne l'annulation de la garantie.

La présente notice concerne les modèles «NTP». Pour les autres modèles, se reporter à la notice correspondante.

1.1 Déballage de l'horloge

Déballer soigneusement l'horloge et vérifier le contenu de l'emballage. Celui-ci doit comprendre :

- L'horloge Style 5S ou 7S Hôpital,
- Une pochette de nettoyage antistatique,
- Ce manuel.

- **IMPORTANT : marquage étiquette produit.**

Une étiquette signalétique, apposée au dos de l'horloge est visible. Elle indique un lien URL permettant de télécharger cette notice.

1.2 Nettoyage

Utiliser un produit antistatique identique à celui de la pochette de nettoyage fournie.

Ne jamais utiliser d'alcool, d'acétone ou autres solvants susceptibles d'endommager l'horloge.

1.3 Pré-requis

Pour la mise en service des horloges, installer le logiciel **BODET Detect**. Ce logiciel est disponible sur le site internet www.bodet-time.com, en téléchargement gratuit.

Note : la prise réseau sur laquelle est connectée l'horloge BODET doit être PoE par l'intermédiaire d'un switch PoE ou d'un injecteur PoE (802.3af, classe 3: multicast, classe 0 : unicast).

Nous recommandons les marques suivantes :

- Injecteurs PoE : Zyxel, Tp Link, D-Link, HP, Cisco, Axis, ITE Power Supply, PhiHong, Abus, Globtek.
- Switches PoE : D-Link, HP, Planet, Zyxel, Cisco, NetGear, PhiHong.

Lors de l'installation, choisir l'emplacement où sera installée l'horloge en privilégiant un endroit exempt de parasites électriques (transformateur, ...).

II – Installation mécanique

2.1 Montage de l'horloge

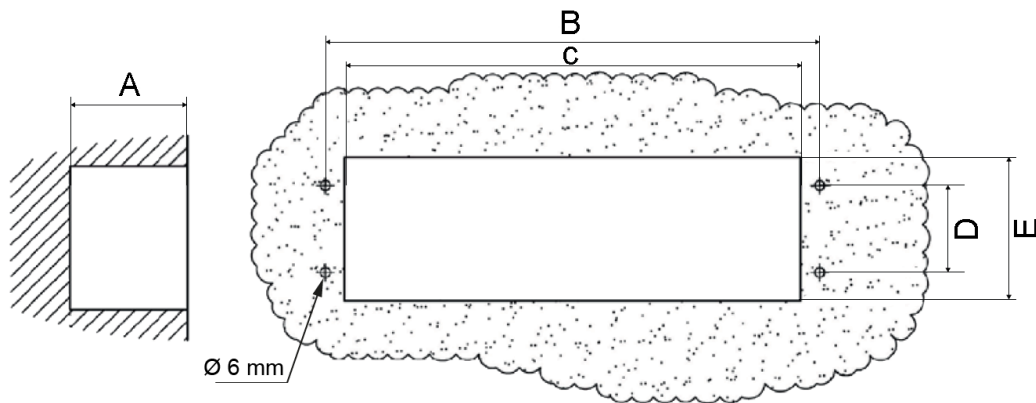
2.1.1 Montage sans fond d'encastrement

Selon le modèle de l'horloge, faire une découpe en suivant les dimensions listées dans le tableau ci-dessous :

| | A | B | C | D | E |
|-------------|----|-----|-----|----|-----|
| Style 5S OP | 46 | 400 | 366 | 68 | 109 |
| Style 7S OP | | 440 | 406 | 85 | 125 |

Dimensions en mm

a) Présenter l'horloge de manière à marquer l'emplacement des 4 trous de fixation.



b) Retirer l'horloge et percer les 4 trous Ø6 mm pour y insérer les chevilles.

c) Passer les câbles d'alimentation et de synchronisation à travers la découpe.

d) Raccorder l'horloge, régler la luminosité (page 24) et effectuer la mise à l'heure (page 26).

e) Déposer un joint silicone entre l'horloge et le mur.

f) Fixer l'horloge au mur avec les 4 vis Ø 4 mm.



Installation **sans** fond d'encastrement

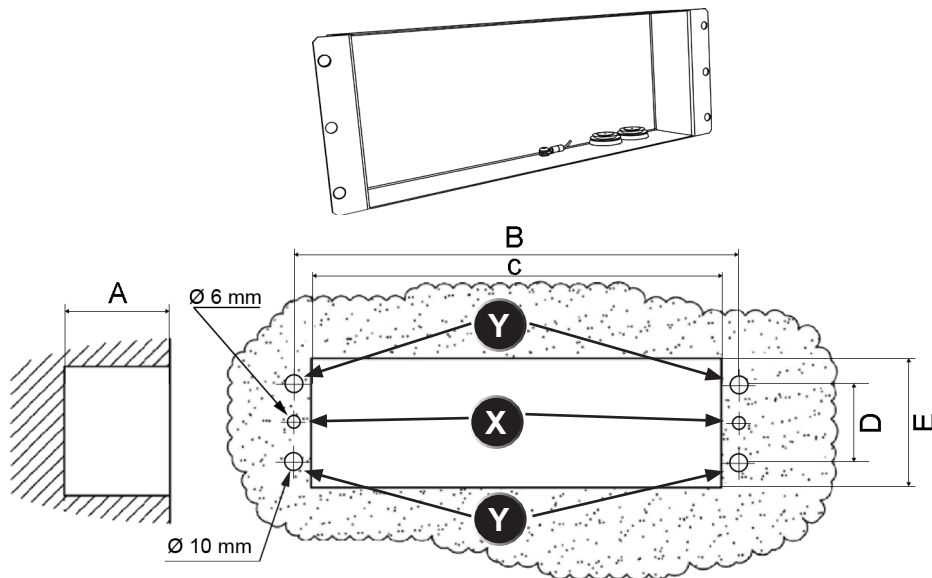
2.1.2 Montage avec fond d'encastrement

Selon le modèle de l'horloge, faire une découpe en suivant les dimensions listées dans le tableau ci-dessous :

| | A | B | C | D | E |
|-------------|----|-----|-----|----|-----|
| Style 5S OP | 46 | 400 | 366 | 68 | 109 |
| Style 7S OP | | 440 | 406 | 85 | 125 |

Dimensions en mm

a) Présenter le fond d'encastrement de manière à marquer l'emplacement des 6 trous de fixation.



b) Retirer le fond d'encastrement puis percer 2 trous (X) au $\varnothing 6$ mm pour l'insertion des chevilles de fixation pour le montage de ce dernier.

c) Percer les 4 trous (Y) au $\varnothing 10$ mm pour permettre le passage des 4 rivets de fixation de l'horloge.

d) Passer les câbles d'alimentation et de synchronisation à travers la découpe et les presse-étoupes du fond d'encastrement.

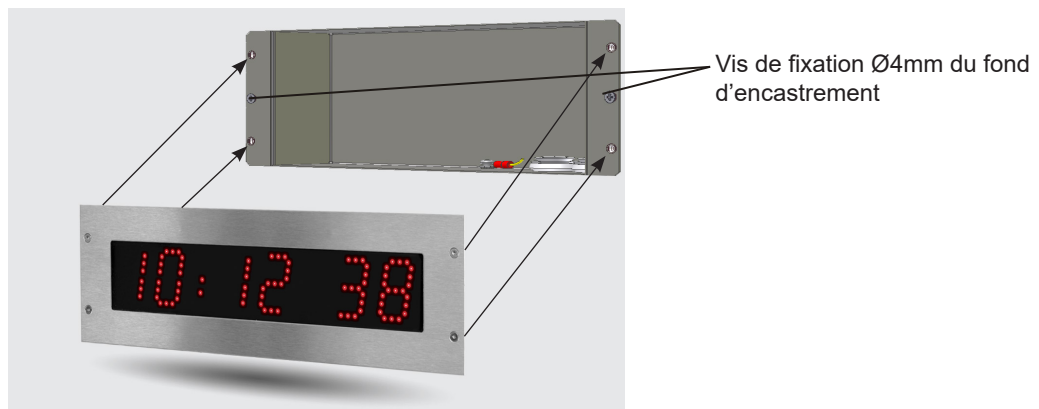
e) Déposer un joint silicone entre le fond d'encastrement (oreilles de fixation) et le mur.

f) Fixer le fond d'encastrement au mur avec les 2 vis de $\varnothing 4$ mm.

g) Raccorder l'horloge, régler la luminosité (page 24) et effectuer la mise à l'heure (page 26).

h) Déposer un joint silicone entre le fond d'encastrement et l'horloge.

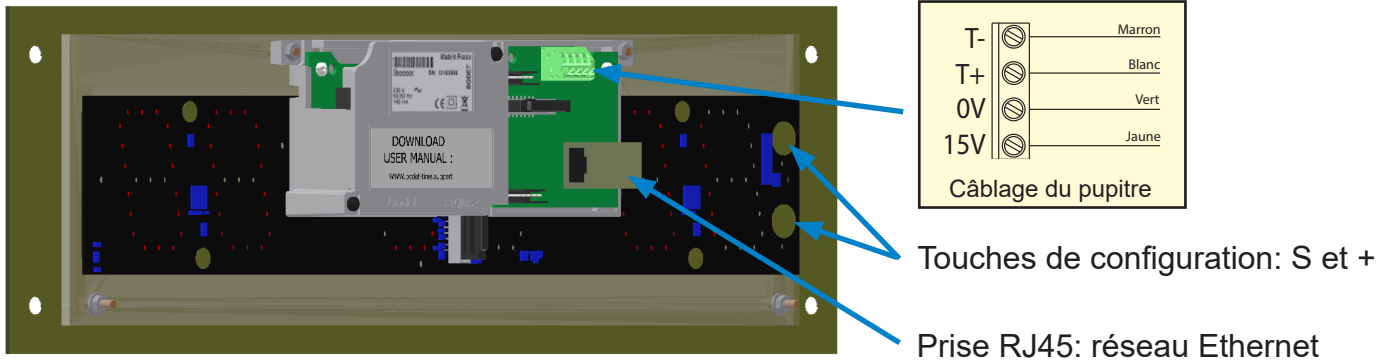
i) Fixer l'horloge au fond d'encastrement avec les 4 vis $\varnothing 4$ mm.



Installation **avec** fond d'encastrement

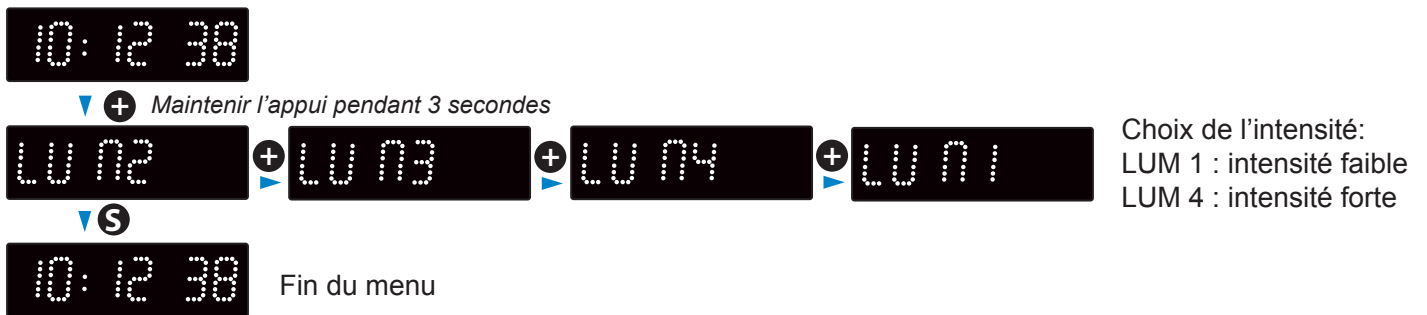
2.1.3 Connexions

- Câbler le réseau Ethernet sur la prise RJ45 et le pupitre de commande (en option) sur le bornier de la carte électronique au dos de l'horloge.



- Régler la luminosité: ce réglage s'effectue en appuyant sur les touches capacitives «S» et «+» au dos de l'horloge (Cf. ci-dessus).

Le réglage de luminosité peut être effectué lorsque l'horloge Style est en mode d'utilisation normale, c'est-à-dire lorsqu'elle ne se trouve ni dans le menu de configuration, ni dans le menu de mise à l'heure. Niveau de luminosité par défaut : 3.



La luminosité peut, aussi, être paramétrée dans le serveur web embarqué de l'horloge (Cf. page 31).

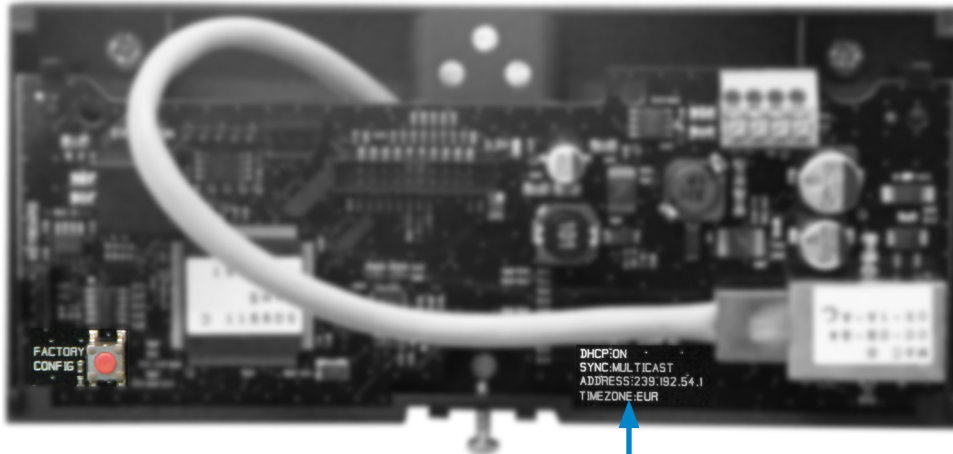
2.2 Montage du pupitre

Pour l'installation et l'utilisation (y compris en mode chronomètre) du pupitre, se reporter à la notice livrée avec ce dernier.

III – Configuration par défaut

Le retour de la configuration usine s'effectue en appuyant, jusqu'à la mise au noir de l'horloge, sur le bouton poussoir (rouge) de la carte électronique.

Localisation du bouton poussoir sur la carte électronique :



La configuration usine complète est la suivante :

- Configuration IP par DHCP (DHCP: ON).
- Time zone : EUR
- Synchronisation : Multicast
- Adresse de synchronisation : 239.192.54.1

Ces quatre paramètres sont inscrit sur la carte électronique.

- Nom de l'horloge : «BODET-@MAC»
- Période de pool pour synchronisation unicast : 15 minutes.
- SNMP désactivé
- Type de trap : V2C
- Seuil pour alarme température : -5°C à +55°C
- Période d'émission du trap status : 24H
- Pas de mot de passe
- Luminosité : niveau 3
- Mode 12H/24H : 24H
- Eco Mode : Nor.
- ON & OFF Time : 23H OFF / 6H ON

Sur le connecteur de la carte électronique :

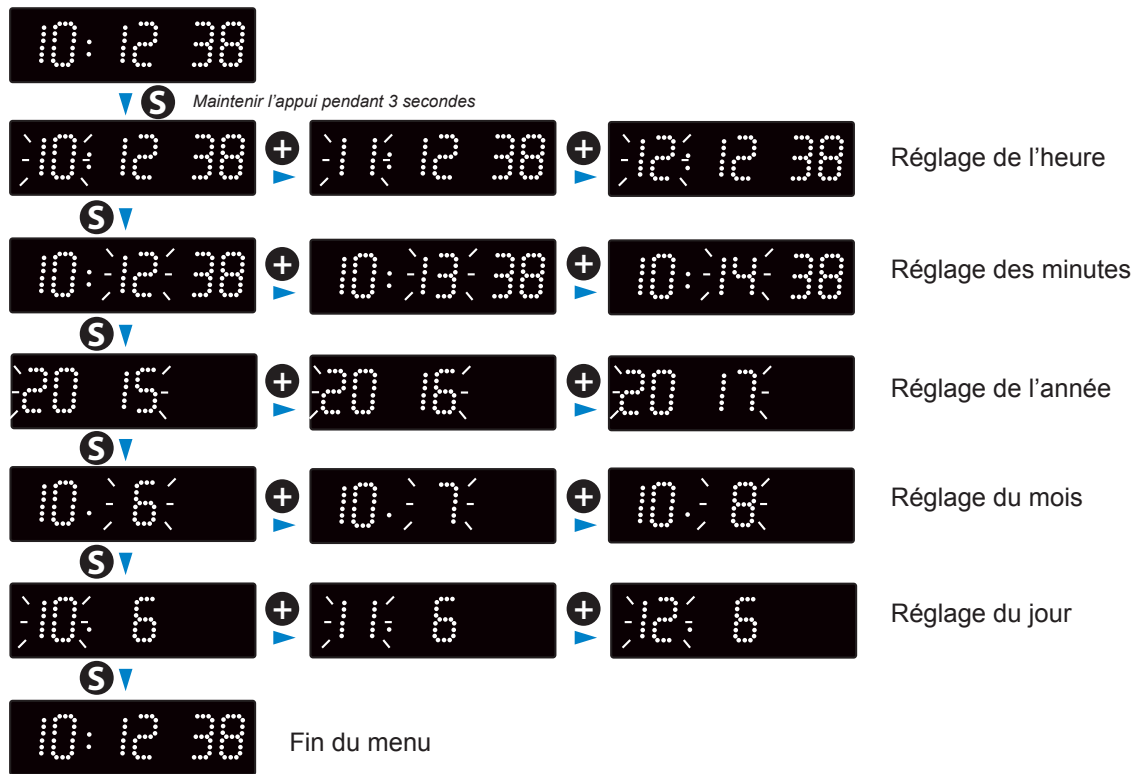
LED verte : activité réseau + alimentation.

LED jaune : type de réseau (ON=100M, OFF=10M).

IV – Configuration basique

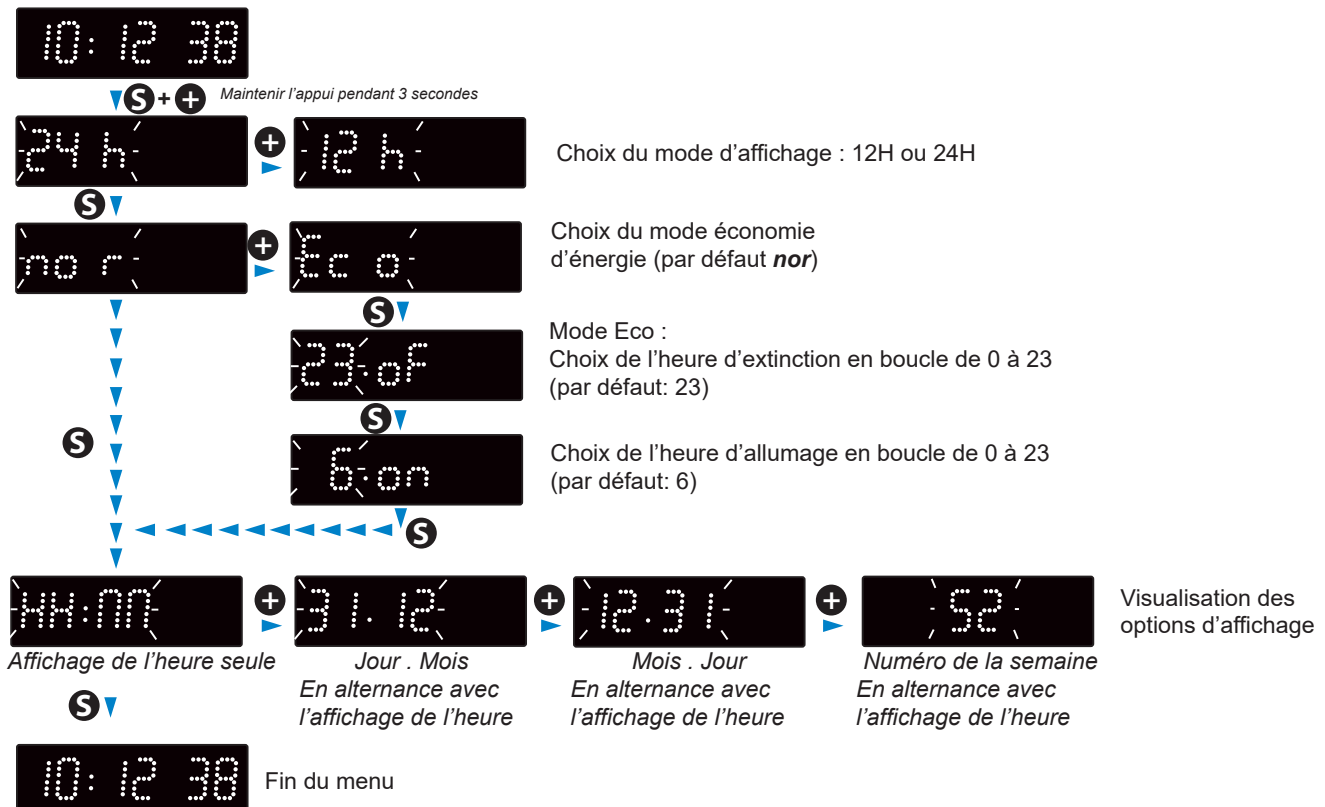
4.1 Réglage Heure/Date/Année

Accéder au réglage de l'heure, de la date et de l'année en appuyant sur «S» pendant 3 secondes.



4.2 Menu configuration manuelle

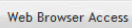
Accéder au menu configuration en appuyant sur «S» (maintenir l'appui) puis sur «+» pendant 3 secondes.



Cette configuration peut aussi être paramétrée dans le serveur web embarqué de l'horloge.

V – Configuration avancée

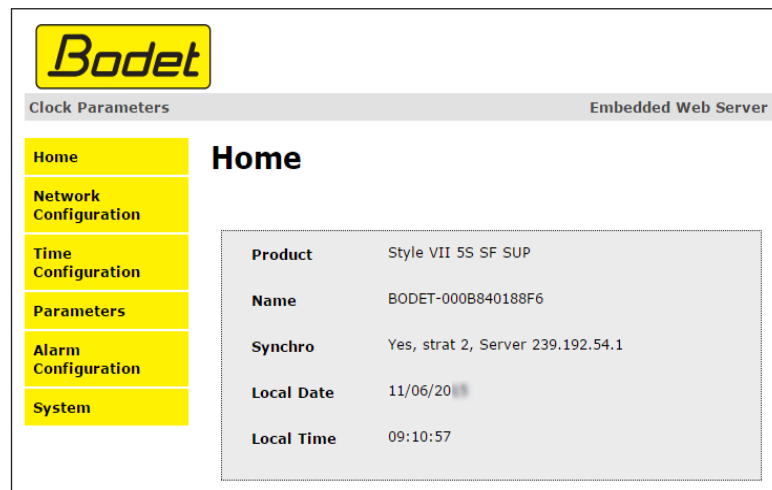
Pour accéder à l'interface web et configurer l'horloge, il existe deux solutions :

- 1) Ouvrir une page du navigateur internet puis dans la barre d'adresse, renseigner l'adresse IP de l'horloge. L'adresse IP de l'horloge est soit attribuée automatiquement, soit renseigner par l'installateur (voir page 28).
- 2) Utiliser le logiciel «BODET Detect» puis cliquez sur  pour ouvrir le serveur web correspondant à l'horloge présente sur le réseau (se reporter à la notice du logiciel, réf.: 607548).

Le logiciel BODET Detect permet de :

- Détecter les horloges présentes sur le réseau,
- Paramétrer chaque horloge (indépendamment les unes des autres ou copier les paramètres d'une horloge vers un groupe d'horloges),
- Mettre à jour la version logicielle de l'horloge,
- Contrôler l'état de l'horloge,
- Donner accès au téléchargement de la base de fichiers MIB.

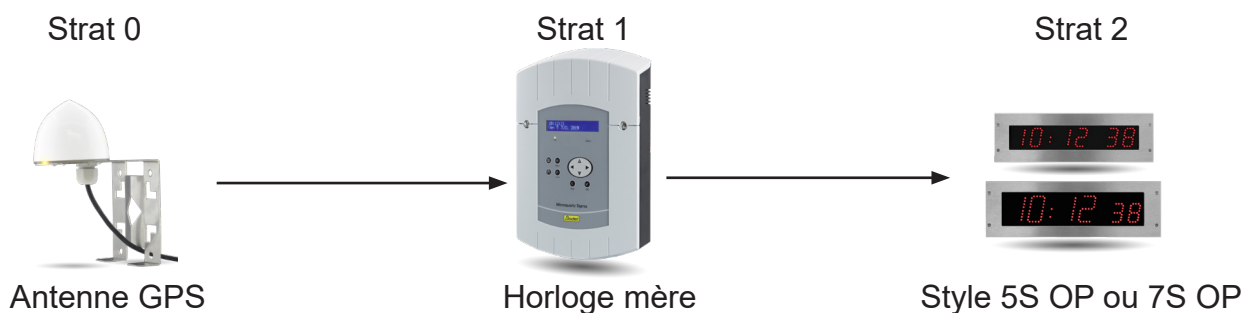
5.1 Accueil



La page d'accueil du serveur web d'une horloge synthétise les informations générales de celle-ci. Les informations sont affichées de la façon suivante :

- **Product** : type de produit + SF (Simple Face) ou DF (Double Face) + SUP (Supervisée).
- **Name** : nom donné par l'utilisateur à l'horloge (par défaut: Bodet-@MAC).
- **Synchro** : état de la synchronisation (Strat 2 indique que l'horloge est à 2 « niveaux » de la source de synchronisation) + adresse IP du serveur sur lequel l'horloge se synchronise.

Exemple :



- **Local Date** : date du jour.
- **Local Time** : heure du jour.

5.2 Configuration réseau

Bodet

Clock Parameters Embedded Web Server

Home

Network Configuration

Time Configuration

Parameters

Alarm Configuration

System

Network Configuration

This page allows the configuration of the clock's network settings.

CAUTION: Incorrect settings may cause the clock to lose network connectivity.

Enter the new settings below:

| | |
|--|---|
| MAC Address | 00:0B:84:01:88:F6 |
| Name | BODET-000B840188F6 |
| | <input checked="" type="checkbox"/> Enable DHCP |
| IP Address | 10.17.10.52 |
| Subnet Mask | 255.255.0.0 |
| Gateway | |
| DNS Address | |
| <input type="button" value="Save and Reboot"/> | |

Cette page permet de configurer l'horloge sur le réseau. L'avertissement indique que l'horloge peut perdre la connexion au réseau si les paramètres sont mauvais.

Ci-dessous le descriptif des informations affichées :

- **MAC Address** : il s'agit de l'adresse MAC de l'horloge. Cette adresse est unique pour chaque produit. Ce numéro est indiqué sur la carte électronique au dos de l'horloge.
- **Name** : nom donné par l'utilisateur à l'horloge (par défaut: Bodet-@MAC).
- Case à cocher **Enable DHCP** : permet de définir automatiquement les paramètres IP du produit sur le réseau.
Si celle-ci est décochée, les paramètres suivants sont accessibles :
- **IP Address** : permet de définir manuellement l'adresse IP du produit. (obligatoire).
- **Subnet Mask** : le masque de sous réseau permet d'associer une horloge au réseau local (obligatoire).
- **Gateway** : la passerelle permet de relier l'horloge à deux réseaux informatiques.
- **DNS Address** : adresse permettant d'associer un nom de domaine à une adresse IP. Cela permet d'éviter de rentrer une adresse IP dans le navigateur au profit d'un numéro ou appellation définie par l'utilisateur. Exemple : www.bodet.com étant plus simple à retenir que 172.17.10.88.

permet de sauvegarder la configuration et redémarrer l'horloge.

5.3 Configuration de l'heure et synchronisation

Bodet
Clock Parameters Embedded Web Server

Time Configuration

Time Zone

Time Zone: Paris (GMT+01:00) [v]
[Save]

Synchronisation

NTP Mode: Multicast [v]
 Address IP 1: 239.192.54.1
 Address IP 2: []
 Address IP 3: []
 Address IP 4: []
 Address IP 5: []
 Periodicity: 15 (1 to 999 minutes)
 Continue to display time after synchronisation failure
 [Save]

La page Time Configuration est divisée en deux parties. L'une permet de configurer le fuseau horaire et l'autre le mode de synchronisation.

Ci-dessous le descriptif des informations affichées :

- **Time zone** : à l'aide du menu déroulant, il est possible de choisir le fuseau horaire (la gestion de l'heure été/hiver est automatique en fonction de la zone horaire sélectionnée). Il est aussi possible de paramétrer un fuseau horaire non défini par défaut dans le menu déroulant («PROG»).

Lorsque «PROG» est sélectionné dans le menu déroulant, cette fonction permet de définir le décalage par rapport à l'heure GMT : mois, rang et jour fixe des changements de saisons :

Bodet
Clock Parameters Embedded Web Server

Time Configuration

Time Zone

Time Zone: PROG [v]
 GMT Offset: + [v] 0H [v] 0 [v]
 Enable Time Changeovers
 Summer Time: March [v] last [v] Sunday [v]
 Winter Time: October [v] last [v] Sunday [v]
 [Save]

Synchronisation

NTP Mode: Multicast [v]
 Address IP 1: 239.192.54.1
 Address IP 2: []
 Address IP 3: []
 Address IP 4: []
 Address IP 5: []
 Periodicity: 15 (1 to 999 minutes)
 Continue to display time after synchronisation failure
 [Save]

- **NTP Mode** : permet de choisir parmi trois types de mode :
 - o **Unicast** : Dans Address IP1, renseigner l'adresse IP du serveur NTP. Dans ce cas, c'est l'horloge qui interroge le serveur NTP.
De plus, il existe la possibilité d'effectuer une redondance (si le 1er serveur ne répond pas le deuxième est interrogé...etc.), c'est pour cela qu'il est possible de saisir jusqu'à 5 adresses de serveur (Address IP 1/2/3/4/5).
La case «Periodicity» permet de régler la fréquence à laquelle l'horloge interroge les serveurs NTP configurés.
 - o **Multicast** : Dans ce cas, c'est le serveur NTP qui diffuse l'heure sur l'adresse de type multicast qu'il lui a été renseigné. L'adresse multicast des clients doit être identique à celle diffusé par le serveur.
Par défaut les produits Bodet émettent et reçoivent sur l'adresse multicast :239.192.54.1.
Les adresses multicast sont comprises entre 224.0.0.0 et 239.255.255.255.
 - o **By DHCP** : Idem mode unicast sauf que les adresses des serveurs NTP sont récupérées automatiquement via le serveur DHCP (configuration de l'option 42 sur le serveur DHCP).

La case à cocher «continue to display» permet de définir le comportement de l'horloge après une perte de synchronisation NTP pendant 48h :

- En mode « continue to display » sur OFF, l'horloge passe au noir avec les deux points fixes.
- En mode « continue to display » sur ON , l'horloge continue de fonctionner sur sa base de temps avec l'arrêt du clignotement des deux points «:».

Save

permet de sauvegarder les configurations effectuées.

5.4 Paramétrage

Cette page permet de paramétrer l'affichage de l'horloge sur le réseau.

Ci-dessous le descriptif des informations affichées :

- **Luminosity** : permet de régler la luminosité de l'horloge parmi 4 niveaux de 1 (faible) à 4 (élevé). Par défaut la luminosité est fixée à 3.
- **Mode 12H/24H** : permet d'afficher l'heure en mode 12H ou 24H.
Exemple : 8h00 (en mode 12H) ou 20h00 (en mode 24H).
- **Eco Mode**: permet d'activer le mode économie d'énergie de l'horloge. En mode Eco, l'horloge affiche deux points clignotant et est paramétrée en luminosité minimum (niveau 1). Ce mode est défini sur une plage horaire configurée ci-après (ON & OFF Time). Ce mode devient inactif lorsque l'utilisateur entre dans le menu de configuration (à l'aide des touches «S» et «+») ou modifie les paramètres dans le serveur web ou lorsqu'un redémarrage est effectué.
- **ON & OFF Time** : permet de définir la plage horaire d'activation du mode Eco. L'activation de ce mode fonctionne uniquement au changement d'état. Exemple: à 8h30, si le mode Eco est paramétré à 8h00 (jour J), l'horloge basculera dans ce mode à 8h00 le jour suivant (J+1).
- **Alternate Display** : permet de choisir l'information qui sera affichée en alternance de l'affichage de l'heure. Il est possible d'afficher l'alternance de l'heure avec le numéro de la semaine, le jour + mois ou le mois + jour.

Save

permet de sauvegarder les configurations effectuées.

5.5 Configuration des alarmes

Bodet

Clock Parameters Embedded Web Server

Alarm Configuration

Enable SNMP Trap

Version V1 V2C

SNMP Manager 1

SNMP Manager 2

SNMP Manager 3

Community public

| Enable Alarms | Parameters |
|---|-------------------------|
| <input checked="" type="checkbox"/> Synchronisation failure ⚠ | |
| <input checked="" type="checkbox"/> Reboot ⚙ | |
| <input checked="" type="checkbox"/> Temperature ⚠ | Thresholds -5 °C +55 °C |
| <input checked="" type="checkbox"/> Manipulation ⚠ | |
| <input checked="" type="checkbox"/> Server access ⚠ | |
| <input checked="" type="checkbox"/> Authentication failure ⚠ | |
| <input checked="" type="checkbox"/> Periodic Status ⚙ | Period (h) 24 |

Information
 Warning
 Critic

Save

SNMP Trap test

Cette page permet d'activer la supervision de l'horloge, de définir les informations qui seront transmises et le serveur de destination. Il est possible de sélectionner le ou les paramètres à définir comme alarmes et de les configurer.

Ci-dessous le descriptif des informations affichées :

- **Case à cocher Enable SNMP Trap** : permet l'activation (ou non) de l'envoi automatique des messages d'erreurs au(x) SNMP Manager(s).
- **SNMP Manager 1/2/3** : adresses IP des serveurs recevant les alarmes des horloges. La redondance des SNMP Manager permet d'augmenter la fiabilité des retours d'alarmes.
- **Community** : parc ou domaine d'horloges défini par l'utilisateur. Il est indispensable de donner à toutes les horloges du réseau le même nom de «Community».
- **Synchronisation failure** : ce paramètre permet de détecter les défauts de synchronisation avec l'horloge mère (type Sigma) ou le serveur temps (type Netsilon).
 - Multicast: alarme si absence de synchronisation multicast depuis plus d'une heure.
 - Unicast: alarme si la synchronisation unicast est absente depuis 3 fois la durée de la périodicité et une heure minimum (permet la maintenance du serveur)
- **Reboot** : ce paramètre permet de détecter le redémarrage de l'horloge.
- **Temperature** : ce paramètre permet de signaler un dépassement haut ou bas d'une température (plage de températures variable).
- **Manipulation** : ce paramètre permet de déclencher une alarme lorsqu'un paramètre est modifié manuellement sur l'horloge (à l'aide des boutons «S» et «+»).
- **Server access** : ce paramètre permet de déclencher une alarme lorsqu'un utilisateur se connecte au serveur web de l'horloge.

- **Authentication failure** : ce paramètre permet de déclencher une alarme lorsqu'un utilisateur effectue une identification erronée du serveur web de l'horloge.
- **Periodic Status** : ce paramètre permet de vérifier que le produit est toujours en bon état de fonctionnement (cas où les alarmes seraient «perdues»). Cette vérification peut donc être effectuée sur un cycle horaire.



Information : les informations remontées sont **mineurs** et ne nécessitent pas expressément la visite d'un technicien de maintenance pour corriger le défaut.



Warning : les erreurs ou défauts remontés sont **importants** et nécessitent la visite d'un technicien de maintenance pour corriger le défaut.



Critic : les erreurs ou défauts remontés sont **graves** et nécessitent rapidement la visite d'un technicien de maintenance pour corriger le défaut.

Save

permet de sauvegarder les configurations effectuées.

Send status trap

permet d'envoyer un trap status à l'ensemble des SNMP managers configurés afin de vérifier le bon paramétrage de la supervision.

5.6 Système et protection

Bodet

Clock Parameters Embedded Web Server

System

Firmware V1.1A02 09/06/15
Uptime 0d 01h 41m
DateCode

CAUTION: The correct password is required for the connection with the Embedded Web Server.

Enable authentication

Username
New Password
Confirm New Password

Save

CAUTION: Reboot will cause the loss of the network connection.

Reboot

CAUTION: Factory configuration will cause the loss of all your parameters and may cause the clock to lose network connectivity.

Factory config.+ Reboot

Cette page est divisée en quatre parties qui sont les suivantes :

1ère partie : présentation de la version du programme (logiciel), la durée depuis la mise sous tension de l'horloge et la date de fabrication du produit (année/semaine).

2ème partie : un message de prévention indique qu'une fois défini, il est obligatoire d'utiliser le bon mot de passe pour établir la connexion avec le serveur web. Pour enregistrer un nom d'utilisateur et un mot de passe, saisir les informations dans les espaces prévus à ces effets. permet d'enregistrer votre nouvel identifiant et mot de passe.

3ème partie : le message de prévention indique que le redémarrage de l'horloge va causer la perte de connexion au réseau le temps du redémarrage. Le bouton redémarre l'horloge.

4ème partie : le message de prévention indique que le redémarrage en configuration usine supprimera toutes vos configurations et peut être la perte de connexion au réseau de l'horloge, en l'absence d'un serveur DHCP sur le réseau. Le bouton redémarre l'horloge en configuration usine.

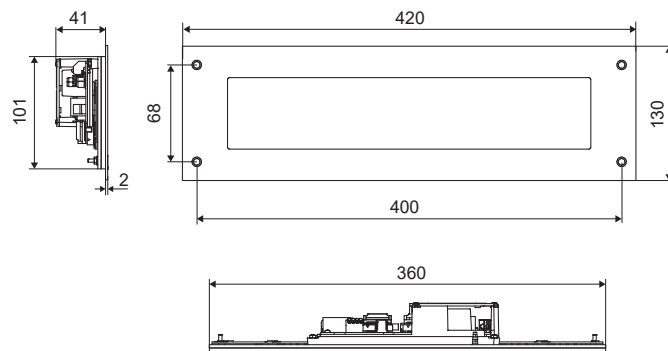
VI – Sauvegarde mémoire

Les horloges Style possèdent un dispositif de sauvegarde permanent leur permettant de mémoriser l'ensemble des paramètres de configuration et les choix d'affichage, même en cas de coupure secteur prolongée.

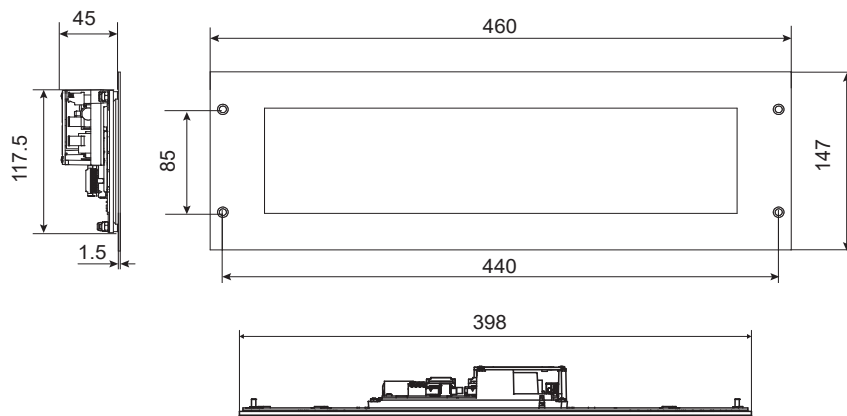
VII – Caractéristiques techniques

- Synchronisation : conforme RFC2030 (SNTP V4), mode unicast, multicast ou via DHCP.
- Etat de la synchronisation : clignotement des deux points lorsque l'horloge est synchronisée. Points fixes puis mise au noir dans le cas d'une horloge non synchronisée.
- Connexion réseau : 10Base-T/100Base-TX.
- Alimentation : PoE (Power over Ethernet).
- Consommation : 4W
- Précision : +/- 0,1s avec changement d'heure été/hiver automatique.
- Température de fonctionnement : de -5°C à +55°C.
- Indice de protection : IP65, IK07 (Style 7S OP), IK09 (Style 5S OP).
- Conformité : directives LVD 2014/35/EU et EMC 2014/30/EU.

Style 5S OP



Style 7S OP



VIII – Menu technicien

Pour entrer dans le menu technicien, accéder au menu configuration en appuyant sur «S» (maintenir l'appui) puis sur «+» pendant environ 3 secondes. Ensuite, après avoir relâché ces deux touches, appuyer de nouveau sur «S» puis «+» pendant environ 7 secondes.

▼ S + + Maintenir l'appui pendant 3 secondes

Accès au menu configuration

▼ S + + Maintenir l'appui pendant 7 secondes

Version du logiciel

▼ S

Choix du mode de synchronisation : NTP ou NTP indépendant (horloge fonctionne sur sa base de temps interne)

▼ S

Redémarrage de l'horloge (actif si «rstY» est sélectionné)

▼ S

Retour en configuration usine (actif si «dF Y» est sélectionné)

▼ S

Ecran de test (test le bon fonctionnement de toutes les LEDs)

▼ S

Fin du menu

IX – Que faire si...? ...Vérifier.

| Que faire si...? | ...Vérifier que |
|--|--|
| Pas de synchronisation après l'installation | 1) Vérifier que le type de signal émis par l'horloge mère est de même type que celui de l'horloge. 2) Le serveur NTP est sur le même réseau que la réceptrice (adresses IP, masque de sous réseau et Passerelles). |
| La réceptrice NTP n'est pas à la bonne heure | 1) Le fuseau horaire sélectionné sur le serveur web est correct. |
| Il n'y a pas de serveur DHCP sur le réseau | 1) La configuration réseau prise par défaut par l'horloge est la suivante : – IP : 172.17.30.110 – MASK : 255.255.0.0 – PASSERELLE : 0.0.0.0 – DNS : 0.0.0.0 |
| Une des horloges Style ne s'allume pas ou effectue des redémarrages en boucles | 1) La puissance maximale du switch PoE est suffisante pour alimenter l'ensemble des horloges connectées au switch. 2) La longueur du câble est inférieure à 100 mètres (reportez-vous aux normes de câblage réseau). 3) Toutes les sorties du switch sont compatibles PoE. |