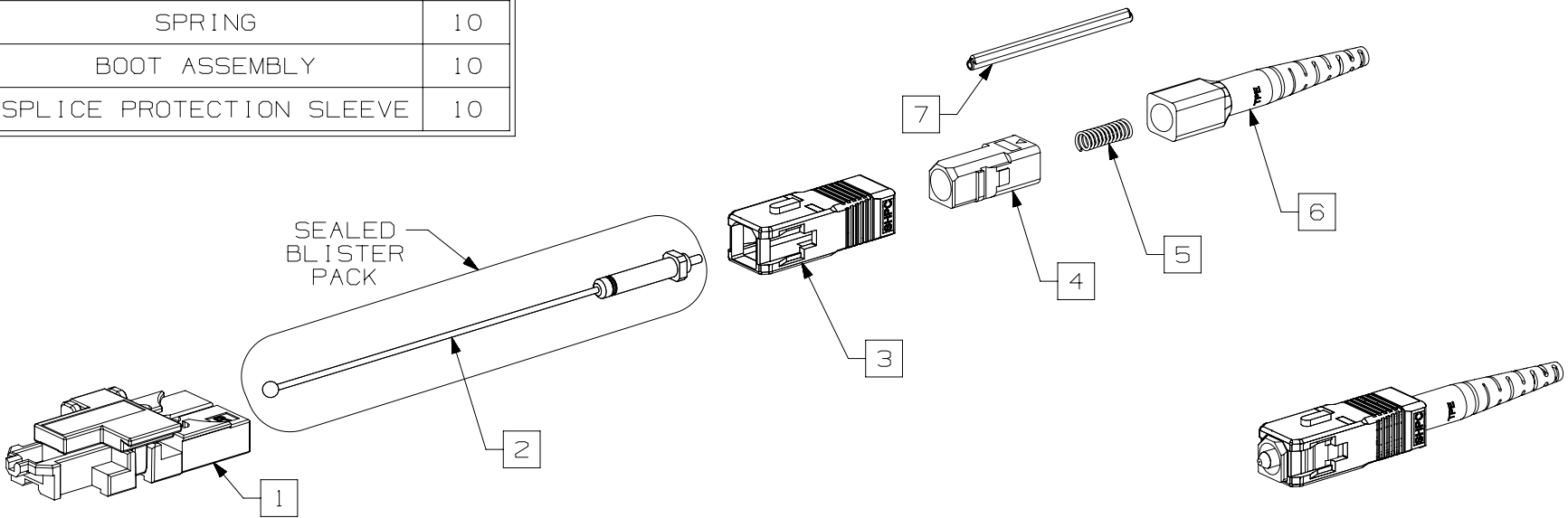


THIS COPY IS PROVIDED ON A RESTRICTED BASIS AND IS NOT TO BE USED IN ANY WAY DETRIMENTAL TO THE INTERESTS OF PANDUIT CORP.

ITEM NO.	DESCRIPTION	QTY.
1	CONNECTOR STUB HOLDER	1
2	FERRULE SUBASSEMBLY (IN BLISTER PACK)	10
3	OUTER HOUSING	10
4	INNER HOUSING	10
5	SPRING	10
6	BOOT ASSEMBLY	10
7	SPLICE PROTECTION SLEEVE	10

- NOTES:
- VISIT OUR ON-LINE CATALOG AT WWW.PANDUIT.COM FOR A LIST OF CURRENT PARTS APPLICABLE FOR USE WITH THIS PRODUCT.
  - EACH BOX CONTAINS:
    - A. TEN (10) CONNECTORS
    - B. ONE (1) CONNECTOR STUB HOLDER
    - C. INSTALLATION INSTRUCTIONS
  - WEIGHT OF BOX: 2.6 oz (0.16 lbs)
  - TIA/EIA-604 FOCIS-3 COMPATIBLE.
  - MEETS OR EXCEEDS TIA/EIA-568-D.3 PERFORMANCE REQUIREMENTS.
  - COMPATIBLE WITH SUMITOMO FUSION SPLICERS.



PART NUMBER	DESCRIPTION	BOOT COLOR
FSCS2/9S0CU9BU	FIBER SC-UPC SPLICE-ON CONNECTOR FOR 250/900um FIBER, 9um SINGLEMODE	BLUE
FSCS2/9S0CA9AG	FIBER SC-APC SPLICE-ON CONNECTOR FOR 250/900um FIBER, 9um SINGLEMODE	GREEN
FSCS2/9S0CPXAQ	FIBER SC-PC SPLICE-ON CONNECTOR FOR 250/900um FIBER, 50um MULTIMODE	AQUA

PART NUMBER		SEE TABLE 2		
TITLE				
FIBER SC SPLICE-ON CONNECTOR FOR 250/900um FIBER				
CUSTOMER DRAWING				
ITEM REVISION NAME		18F274BF/00		
DATASET FILE NAME		18F274BF_DC/00B		
MATERIAL		MULTIPLE		
DRAWING NUMBER		18F274BF - DC		
DRAWN BY		DATE	CHK	SCALE
JSP		7/25/18	TMSE	NONE
SHEET 1 OF 1		A		

A-SIZE CUSTOMER