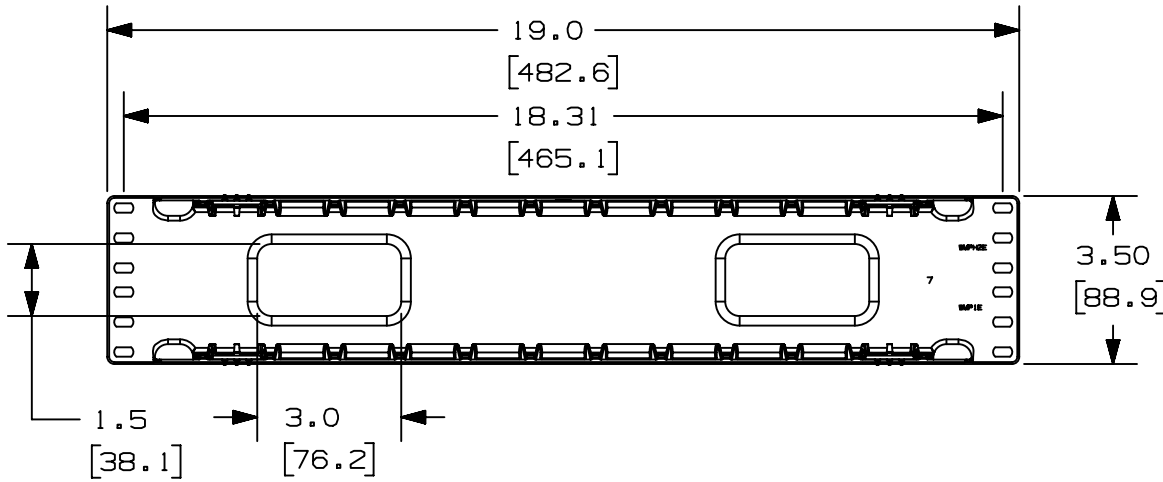


2

1

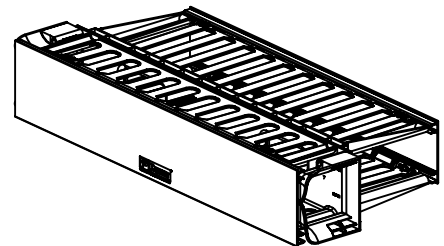
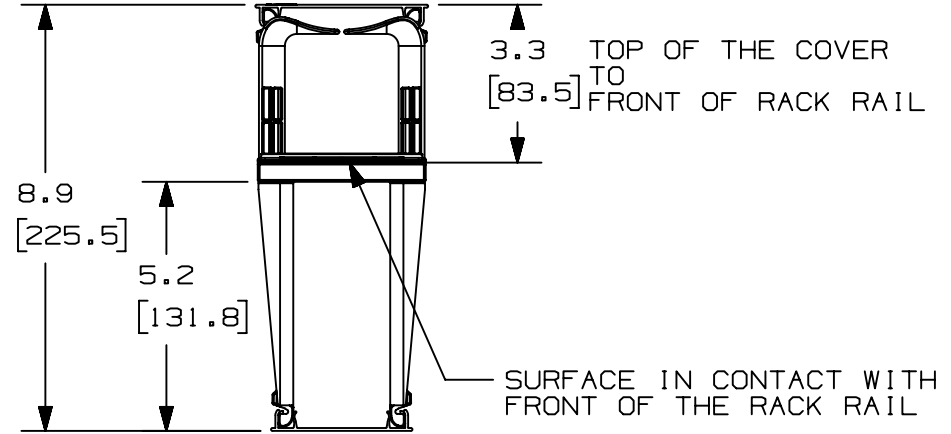
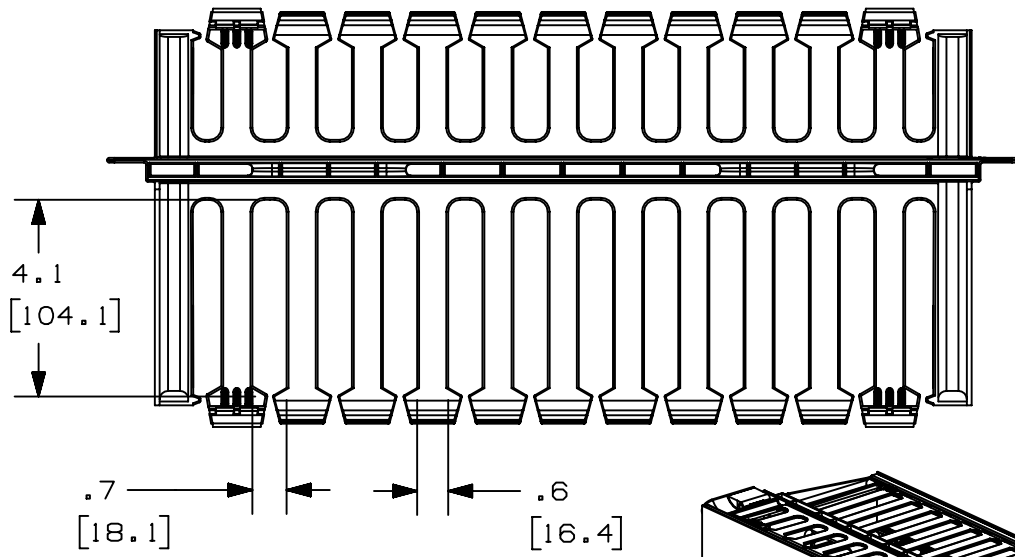
THIS COPY IS PROVIDED ON A RESTRICTED BASIS AND IS NOT TO BE USED IN ANY WAY DETRIMENTAL TO THE INTERESTS OF PANDUIT CORP.



PANDUIT P/N	WEIGHT
WMPH2E	2.6 LBS/EACH 1179 g/EACH

- NOTES:
- DESIGNED FOR MOUNTING ON 19" EIA RACKS.
 - COMPONENTS:
 - 1- MANAGER
 - 1- 17" REAR DUAL HINGED COVER
 - 1- 19.375" FRONT DUAL HINGED COVER
 - 4- #12-24 x 2" SCREWS
 - 2- BEND RADIUS CLIPS
 - DIMENSIONS IN PARENTHESES ARE METRIC.

MAX STORAGE TEMPERATURE 65°C (149°F)
 MAX OPERATING TEMPERATURE 60°C (140°F)



TITLE									
WMPH2E HORIZONTAL MANAGER									
CUSTOMER DRAWING									
ITEM REVISION NAME					V10101WH/08				
DATASET FILE NAME					V10101WH_DC/08B				
					THIRD ANGLE PROJECTION				
MATERIAL					ABS				
DRAWING NUMBER					10101-23				
DRAWN BY			DATE		CHK		SCALE		
JDWE			12-17-02		MECA		NONE		
SHEET 1 OF 1					A				

A-SIZE CUSTOMER

08B	5-11-20	JBO	JCO	JEFK	ADDED TEMPERATURE NOTE	M09000LT
REV	DATE	BY	CHK	APR	DESCRIPTION	ECN

2

1