



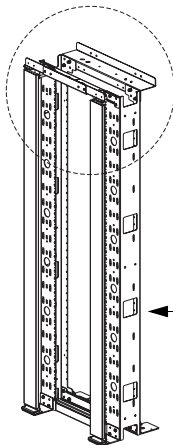
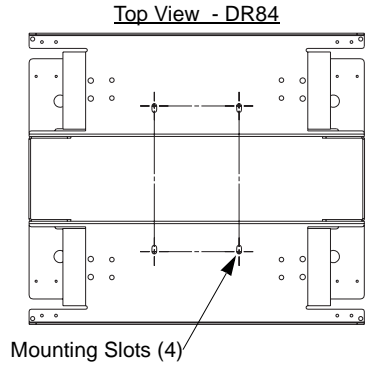
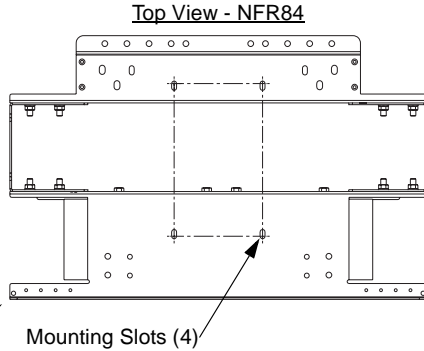
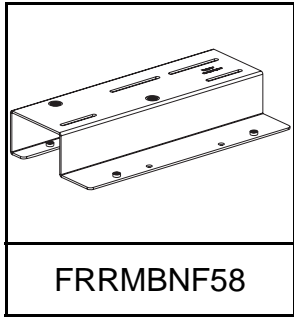
# For Use With *PANDUIT* *FIBER-DUCT* and *FIBERRUNNER* Routing Systems

## *FIBERRUNNER* QUIKLOCK *NETRACK* and *NETFRAME* Rack Mount Bracket - 5/8" Threaded Rod

Part Number: FRRMBNF58

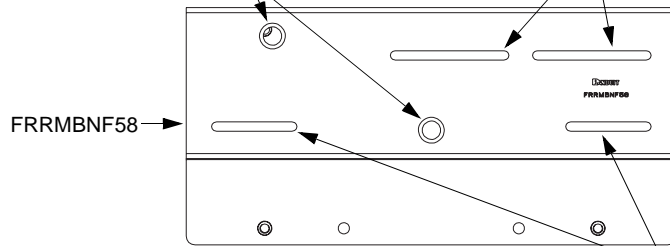
### INSTALLATION INSTRUCTIONS

© Panduit Corp. 2001



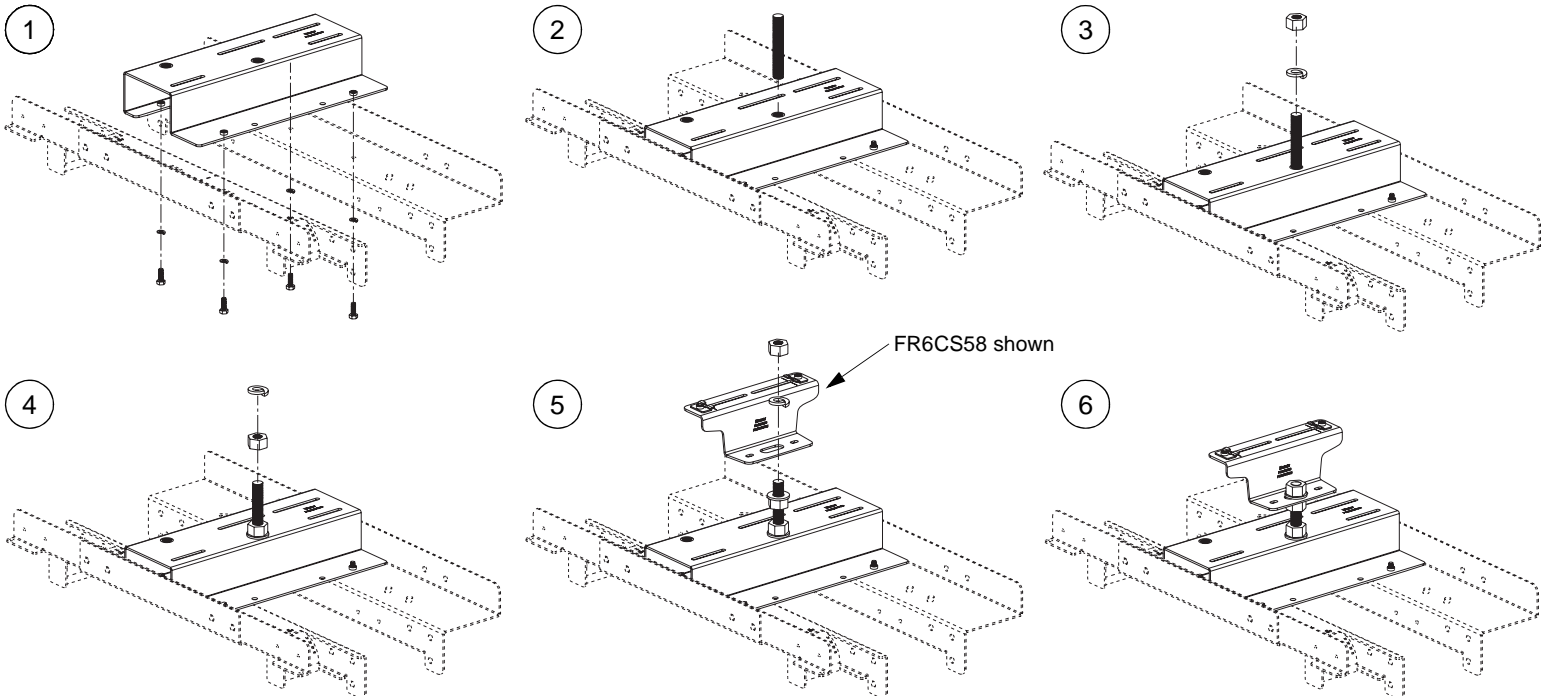
PANDUIT *NETRACK* (DR84) or  
*NETFRAME* (NFR84)  
(19" wide equipment racks)

Optional Mounting Location for *FIBERRUNNER* 4x4 and 6x4  
5/8" Threaded Rod Mounting Holes



Optional Mounting Location for *FIBERRUNNER* 12x4

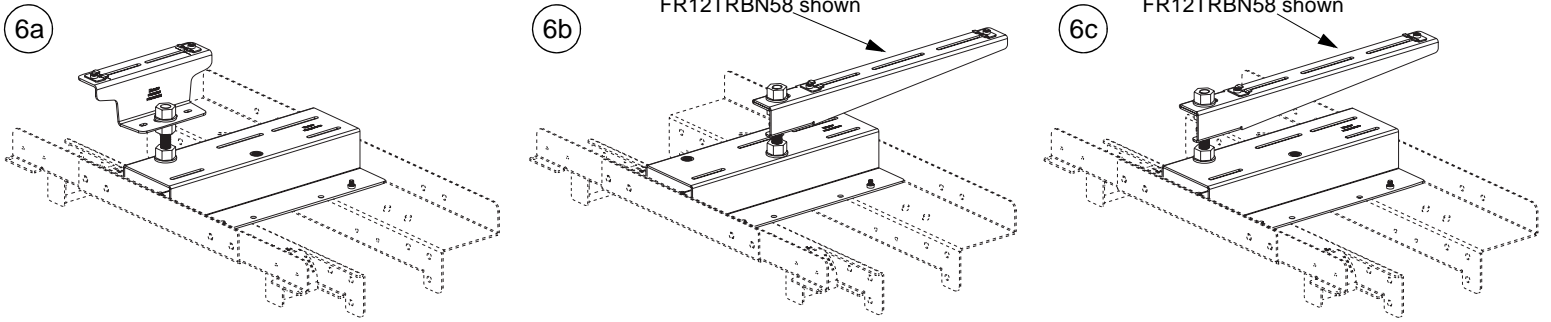
### Typical Installation



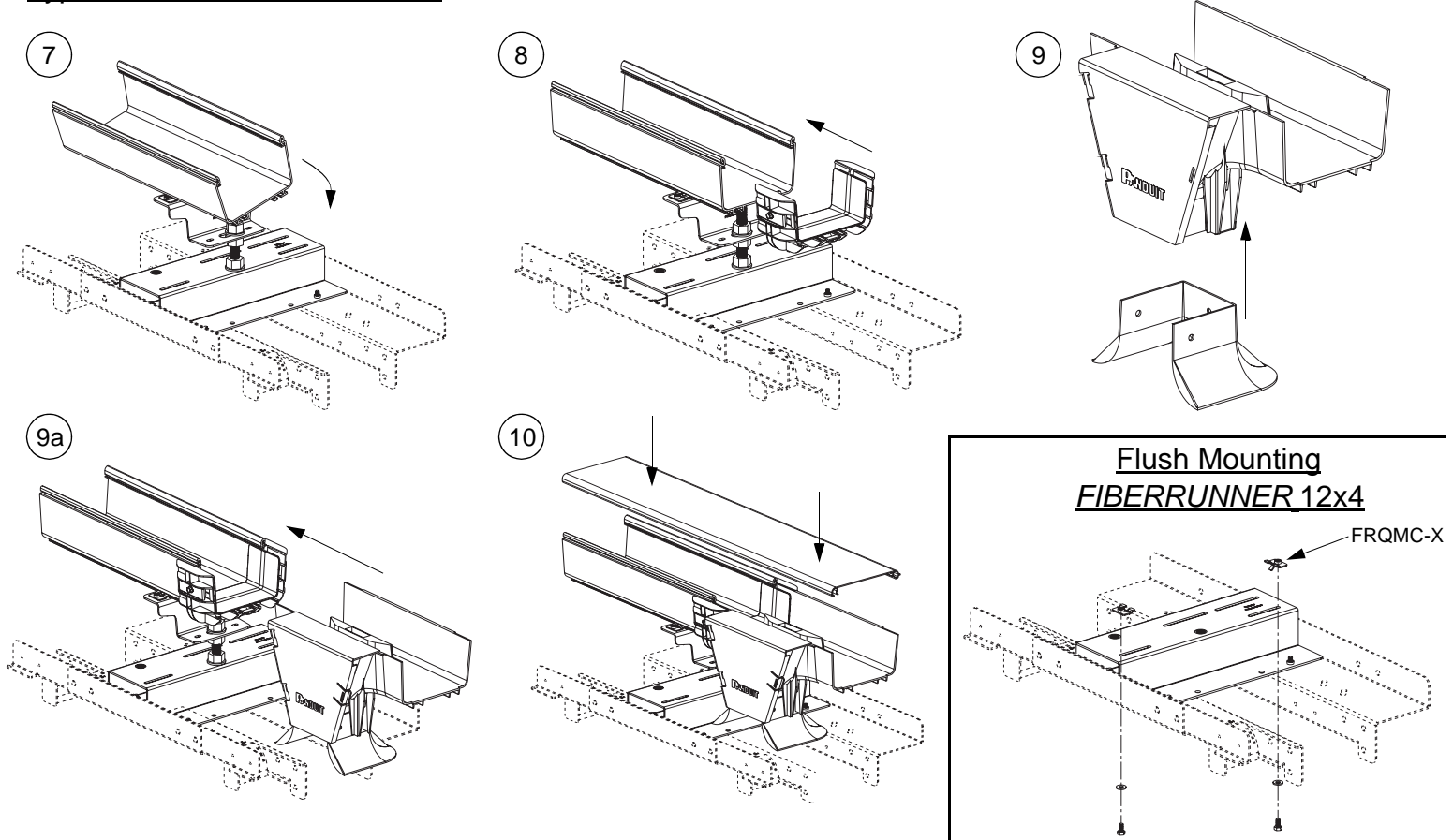
For Technical Assistance, Call: 800-777-3300

# INSTALLATION INSTRUCTIONS

## Additional 5/8" Threaded Rod Bracket Configurations



## Typical Installation Continued...



## Flush Mounting *FIBERRUNNER* 4x4 and 6x4



Instruction Sheet RW156

## WORLDWIDE SUBSIDIARIES AND SALES OFFICES

17301 Ridgeland Avenue  
Tinley Park, IL 60477-3901  
Web Site: [www.panduit.com](http://www.panduit.com)



Fax: 708-532-1811  
Technical Support: 800-777-3300  
E-mail: [cs@panduit.com](mailto:cs@panduit.com)