

GHG 9810048 - Ex-safety switches for Zone 22



80 A 3-pole plastic



80 A 6-pole sheet steel



100 A 3-pole plastic



100 A 6-pole stainless steel

Technical Data

GHG 981...

Marking to 2014/34/EU	⊕ II 3 D Ex tc IIIC T80°C Dc
Type Examination Certificate	CCH 15 ATEX 1001
Permissible ambient temperature	-55 °C up to +40 °C/45 °C/50 °C/55 °C see instruction manual
IK-class according to EN 50102	IK 9 =^ 10 J
Rated voltage	up to 690 V
Rated current	see ordering information
Frequency	50 - 60 Hz
Switch-disconnector for maintenance accd. to IEC 62262-1	Class 1 (25 A - 80 A)
Protection class	I and II
Degree of protection accd. to EN 60529	IP66
Auxiliary contact	1 x NO making - lagging, breaking - leading 1 x NC making - leading, breaking - lagging
Padlocking	can be logged in OFF position with 3 commercially padlocks
Enclosure colour	Plastic = black / sheet steel = RAL 7032 / stainless steel 316L = electro-polished

	GHG 981 (25 A)		GHG 981 (40 A)		GHG 981 (80 A)	
Back-up fuse	up to 415 V AC 50 A gG	up to 690 V AC 50 A gG	up to 415 V AC 50 A gG	up to 690 V AC 80 A gG	up to 415 V AC 100 A gG	up to 690 V AC 100 A gG
Rated making-/breaking capacity AC-3 accd. to EN 60947-3 Appendix A	25 A / 3 pole 23 A / 4/6 pole	14 A / 3 pole 14 A / 4/6 pole	40 A / 3 pole 40 A / 6 pole	22 A / 3 pole 17 A / 6 pole	71 A / 3 pole 55 A / 6 pole	23 A / 3 pole 17 A / 6 pole
Connecting terminals	4 mm ² - 10 mm ²		16 mm ² - 35 mm ²		50 mm ² - 70 mm ²	

	GHG 981 (100 A)		GHG 981 (160 A)		GHG 981 (250 A)	
Back-up fuse	up to 415 V AC 315 A gG	up to 690 V AC 355 A gG	up to 415 V AC 315 A gG	up to 690 V AC 355 A gG	up to 415 V AC 315 A gG	up to 690 V AC 355 A gG
Rated making-/breaking capacity AC-3 accd. to EN 60947-3 Appendix A	100 A	100 A	160 A	160 A	250 A	250 A
Connecting terminals	50 mm ² - 70 mm ²		95 mm ² - M8 x 25		185 mm ² - M10 x 30	

	GHG 981 (400 A)		GHG 981 (630 A)		GHG 981 (700 A)	
Back-up fuse	up to 415 V AC 500 A gG	up to 690 V AC 500 A gG	up to 415 V AC 800 A gG	up to 690 V AC 800 A gG	up to 415 V AC 800 A gG	up to 690 V AC 800 A gG
Rated making-/breaking capacity AC-3 accd. to EN 60947-3 Appendix A	400 A	400 A	630 A	630 A	700 A	700 A
Connecting terminals	1 x 240 mm ²		2 x 185 mm ² - M12 x 40		2x240 mm ² - M12 x 40	



Ordering details GHG 981 25 A - 100 A

Rated current	Poles	Enclosure material	Cable entry (metal thread)	Cable glands (plastic)	Enclosure sizes: GRP			Enclosure sizes: metall				Order No. ¹⁾
					Size 1	Size 2	Size 3	Size 1	Size 2	Size 3	Size 4	
GHG 981 (25 A)												
25 A	3-pole	GRP		2xM32, 1xM25	X							GHG 981 0048 R1211
25 A	4-pole	GRP		2xM32, 1xM25	X							GHG 981 0048 R1212
25 A	6-pole	GRP		4xM32, 1xM25		X						GHG 981 0048 R1213
25 A	3-pole	Sheet steel, powder-coated	2xM32, 1xM25					X				GHG 981 0048 R1214
25 A	4-pole	Sheet steel, powder-coated	2xM32, 1xM25					X				GHG 981 0048 R1215
25 A	6-pole	Sheet steel, powder-coated	4xM32, 1xM25					X				GHG 981 0048 R1216
25 A	3-pole	316L stainless steel, electro-polished	2xM32, 1xM25					X				GHG 981 0048 R1217
25 A	4-pole	316L stainless steel, electro-polished	2xM32, 1xM25					X				GHG 981 0048 R1218
25 A	6-pole	316L stainless steel, electro-polished	4xM32, 1xM25					X				GHG 981 0048 R1219
GHG 981 (40 A)												
40 A	3-pole	GRP		2xM40, 1xM25	X							GHG 981 0048 R1221
40 A	4-pole	GRP		2xM40, 1xM25	X							GHG 981 0048 R1222
40 A	6-pole	GRP		4xM40, 1xM25	X							GHG 981 0048 R1223
40 A	3-pole	Sheet steel, powder-coated	2xM40, 1xM25					X				GHG 981 0048 R1224
40 A	4-pole	Sheet steel, powder-coated	2xM40, 1xM25					X				GHG 981 0048 R1225
40 A	6-pole	Sheet steel, powder-coated	4xM40, 1xM25					X				GHG 981 0048 R1226
40 A	3-pole	316L stainless steel, electro-polished	2xM40, 1xM25					X				GHG 981 0048 R1227
40 A	4-pole	316L stainless steel, electro-polished	2xM40, 1xM25					X				GHG 981 0048 R1228
40 A	6-pole	316L stainless steel, electro-polished	4xM40, 1xM25					X				GHG 981 0048 R1229
GHG 981 (80 A)												
80 A	3-pole	GRP		2xM50, 1xM25	X							GHG 981 0048 R1231
80 A	4-pole	GRP		2xM50, 1xM25	X							GHG 981 0048 R1232
80 A	6-pole	GRP		4xM50, 1xM25		X						GHG 981 0048 R1233
80 A	3-pole	Sheet steel, powder-coated	2xM50, 1xM25					X				GHG 981 0048 R1234
80 A	4-pole	Sheet steel, powder-coated	2xM50, 1xM25					X				GHG 981 0048 R1235
80 A	6-pole	Sheet steel, powder-coated	4xM50, 1xM25						X			GHG 981 0048 R1236
80 A	3-pole	316L stainless steel, electro-polished	2xM50, 1xM25					X				GHG 981 0048 R1237
80 A	4-pole	316L stainless steel, electro-polished	2xM50, 1xM25					X				GHG 981 0048 R1238
80 A	6-pole	316L stainless steel, electro-polished	4xM50, 1xM25						X			GHG 981 0048 R1239
GHG 981 (100 A)												
100 A	3-pole	GRP		2xM50, 1xM25	X							GHG 981 0048 R0241
100 A	4-pole	GRP		2xM63, 1xM25		X						GHG 981 0048 R0242
100 A	6-pole	GRP		4xM50, 1xM25		X						GHG 981 0048 R0243
100 A	3-pole	Sheet steel, powder-coated	2xM50, 1xM25					X				GHG 981 0048 R0244
100 A	4-pole	Sheet steel, powder-coated	2xM63, 1xM25					X				GHG 981 0048 R0245
100 A	6-pole	Sheet steel, powder-coated	4xM50, 1xM25					X				GHG 981 0048 R0246
100 A	3-pole	316L stainless steel, electro-polished	2xM50, 1xM25					X				GHG 981 0048 R0247
100 A	4-pole	316L stainless steel, electro-polished	2xM63, 1xM25					X				GHG 981 0048 R0248
100 A	6-pole	316L stainless steel, electro-polished	4xM50, 1xM25					X				GHG 981 0048 R0249

¹⁾ For an emergency stop switch (red handle/yellow back plate), change the 3rd to last digit from R*2** (standard version) to R*3** (emergency stop)

GHG 9810048 - Ex-safety switches for Zone 22



GHG 981 (630 A)



GHG 981 (800 A)

Ordering details GHG 981 160 A - 700 A

5

Rated current	Poles	Enclosure material	Cable entry (metal thread)	Cable glands (plastic)	Enclosure sizes: GRP			Enclosure sizes: metall				Order No. ¹⁾
					Size 1	Size 2	Size 3	Size 1	Size 2	Size 3	Size 4	
GHG 981 (160 A)												
160 A	3-pole	GRP		2xM63, 1xM25		X						GHG 981 0048 R0251
160 A	4-pole	GRP		2xM63, 1xM25				X				GHG 981 0048 R0252
160 A	6-pole	GRP		4xM50, 1xM25				X				GHG 981 0048 R0253
160 A	3-pole	Sheet steel, powder-coated	2xM63, 1xM25						X			GHG 981 0048 R0254
160 A	4-pole	Sheet steel, powder-coated	2xM63, 1xM25							X		GHG 981 0048 R0255
160 A	6-pole	Sheet steel, powder-coated	4xM50, 1xM25							X		GHG 981 0048 R0256
160 A	3-pole	316L stainless steel, electro-polished	2xM63, 1xM25						X			GHG 981 0048 R0257
160 A	4-pole	316L stainless steel, electro-polished	2xM63, 1xM25							X		GHG 981 0048 R0258
160 A	6-pole	316L stainless steel, electro-polished	4xM50, 1xM25							X		GHG 981 0048 R0259
GHG 981 (250 A)												
250 A	3-pole	Sheet steel, powder-coated	2xM63, 1xM25								X	GHG 981 0048 R0264
250 A	4-pole	Sheet steel, powder-coated	2xM63, 1xM25								X	GHG 981 0048 R0265
250 A	6-pole	Sheet steel, powder-coated	4xM63, 1xM25								X	GHG 981 0048 R0266
250 A	3-pole	316L stainless steel, electro-polished	2xM63, 1xM25								X	GHG 981 0048 R0267
250 A	4-pole	316L stainless steel, electro-polished	2xM63, 1xM25								X	GHG 981 0048 R0268
250 A	6-pole	316L stainless steel, electro-polished	4xM63, 1xM25								X	GHG 981 0048 R0269
GHG 981 (400 A)												
400 A	3-pole	Sheet steel, powder-coated	2xM63, 1xM25								X	GHG 981 0048 R0274
400 A	4-pole	Sheet steel, powder-coated	2xM63, 1xM25								X	GHG 981 0048 R0275
400 A	6-pole	Sheet steel, powder-coated	4xM63, 1xM25								X	GHG 981 0048 R0276
400 A	3-pole	316L stainless steel, electro-polished	2xM63, 1xM25								X	GHG 981 0048 R0277
400 A	4-pole	316L stainless steel, electro-polished	2xM63, 1xM25								X	GHG 981 0048 R0278
400 A	6-pole	316L stainless steel, electro-polished	4xM63, 1xM25								X	GHG 981 0048 R0279
GHG 981 (630 A)												
630 A	3-pole	Sheet steel, powder-coated	4xM80, 1xM25								X	GHG 981 0048 R0284
630 A	4-pole	Sheet steel, powder-coated	4xM80, 1xM25								X	GHG 981 0048 R0285
630 A	3-pole	316L stainless steel, electro-polished	4xM80, 1xM25								X	GHG 981 0048 R0287
630 A	4-pole	316L stainless steel, electro-polished	4xM80, 1xM25								X	GHG 981 0048 R0288
GHG 981 (700 A)												
700 A	3-pole	Sheet steel, powder-coated	4xM80, 1xM25								X	GHG 981 0048 R0294
700 A	4-pole	Sheet steel, powder-coated	4xM80, 1xM25								X	GHG 981 0048 R0295
700 A	3-pole	316L stainless steel, electro-polished	4xM80, 1xM25								X	GHG 981 0048 R0297
700 A	4-pole	316L stainless steel, electro-polished	4xM80, 1xM25								X	GHG 981 0048 R0298

¹⁾ For an emergency stop switch (red handle/yellow back plate), change the 3rd to last digit from R*2** (standard version) to R*3** (emergency stop)

Accessories

Type	Version	
Cable glands		
Plastic cable glands	M20 up to M63	see: Main catalogue part 2 - page 2.3.4 - 2.3.11
Metal cable glands	ADE 1 F2	see: Main catalogue part 2 - page 2.3.12 - 2.3.19



40 A sheet steel



40 A plastic

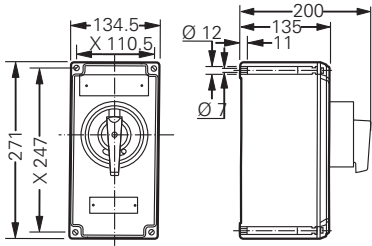


25 A stainless steel

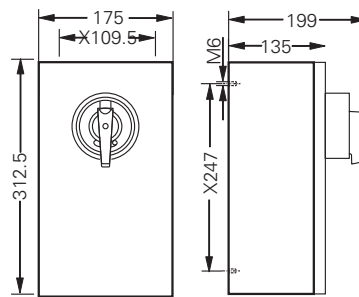


25 plastic

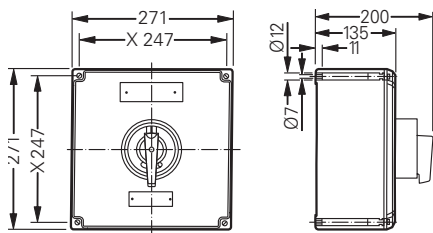
Dimension drawing



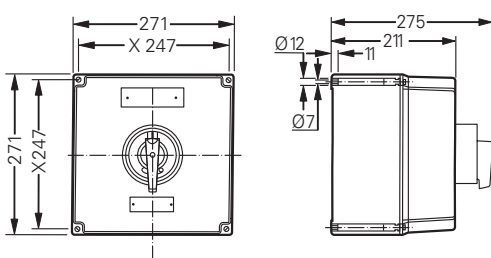
25 A, 3-/4-pole, plastic



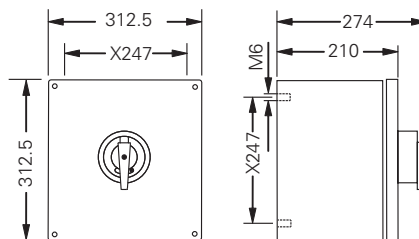
25 A, 3-/4-/6-pole, metal



25 A, 6-pole, plastic



40 A, 3-/4-/6-pole, plastic



40 A, 3-/4-/6-pole, metal

X = fixing dimensions

GHG 9810048 - Ex-safety switches for Zone 22



80 A 3-pole plastic



80 A 6-pole sheet steel



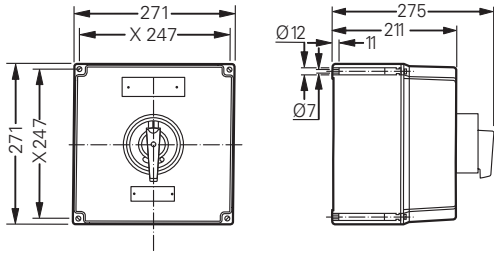
100 A 3-pole plastic



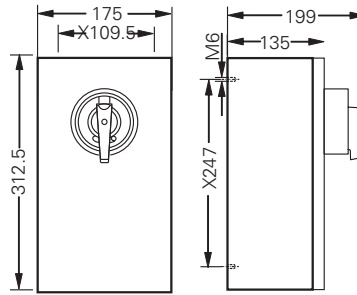
100 A 6-pole stainless steel

Dimension drawing

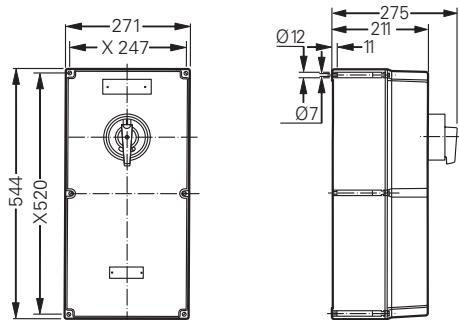
5



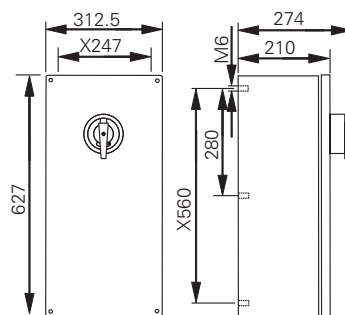
**80 A, 3-/4-pole, plastic
100 A, 3-pole, plastic
160 A, 3-pole, plastic**



**80 A, 3-/4-pole, metal
100 A, 3-pole, metal
160 A, 3-pole, metal**



**80/100/160 A, 6-pole, plastic
100 A, 4-pole, plastic
160 A, 4-pole, plastic**



**80/100/160 A, 6-pole, metal
100 A, 4-pole, metal
160 A, 4-pole, metal**

X = fixing dimensions

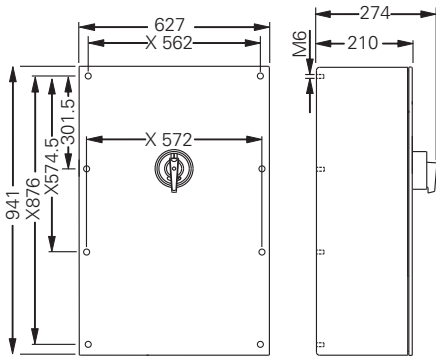


GHG 981 (630 A)



GHG 981 (700 A)

Dimension drawing



- 250 A, 3-/4-/6-pole, metal
- 400 A, 3-/4-/6-pole, metal
- 630 A, 3-/4-pole, metal
- 700 A, 3-/4-pole, metal

X = fixing dimensions