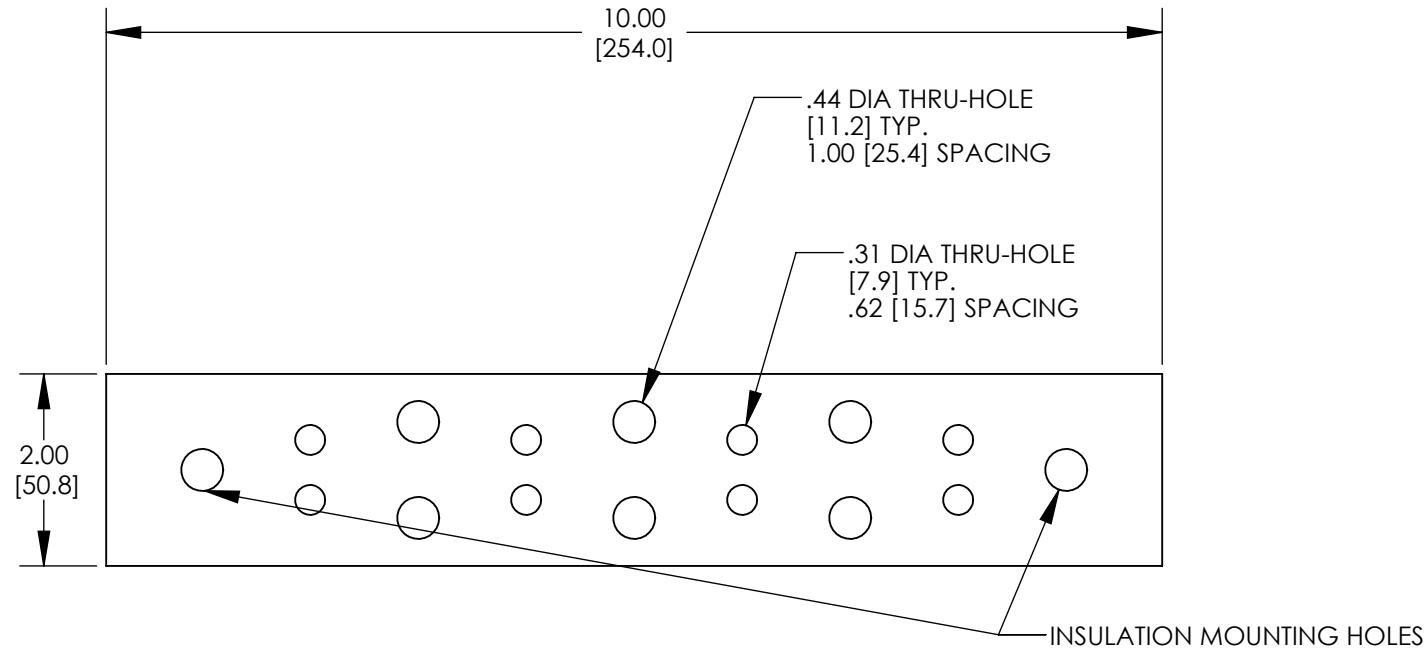
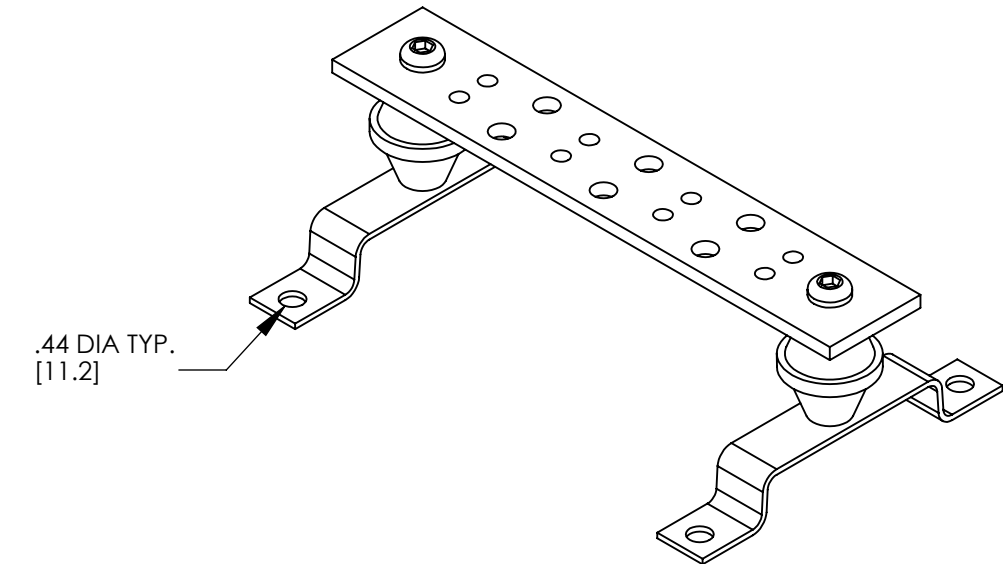
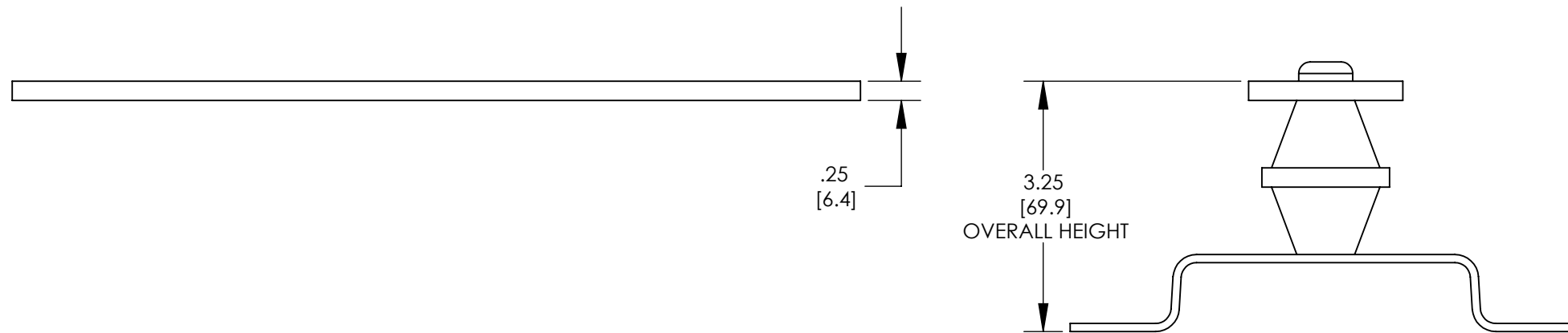


THIS COPY IS PROVIDED ON A RESTRICTED BASIS AND IS NOT TO BE USED IN ANY WAY DETRIMENTAL TO THE INTERESTS OF PANDUIT CORP.



NOTES:

1. KIT COMES FULLY ASSEMBLED
2. KIT INCLUDES BUSBAR, MOUNTING BRACKETS, INSULATORS, AND MOUNTING HARDWARE.
3. MEETS BICSI/J-STD-607-A
4. DIMENSIONS IN PARENTHESIS ARE MILLIMETERS.



ASSEMBLED AS SHOWN

REV	DATE	BY	CHK	APR	DESCRIPTION	ECN
00	3/13	JHNU	JHNU	RGB	REVISED TITLE BLOCK	N41504BA-C41504

TITLE		GROUNDING BUSBAR (GB2B0304TPI) CUSTOMER DRAWING	
ITEM REVISION NAME	N41504BA-C41504/05		
DATASET FILE NAME	C41504/05.SLDDRW		
UNLESS OTHERWISE SPECIFIED, DIMENSIONAL TOLERANCES ARE: IN [mm]		MATERIAL	
.X ±	.XXX ±		SEE NOTES
.XX ±	ANGLES ±		
DRAWN BY		DATE	CHK
JHNU		2/05	XXXX
SCALE		NONE	
DRAWING NUMBER			C41504_05
SHEET 1 OF 1			SIZE B

