



Product designation

Flush-extended  
 spring return  
 actuator with no  
 cap  
 LPXB0

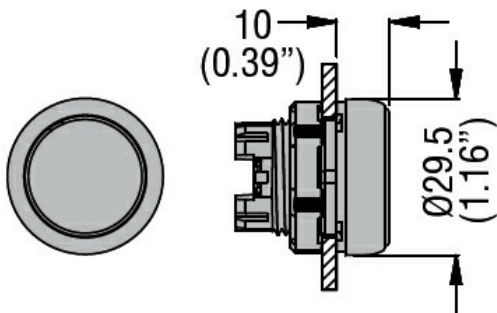
Product type designation

**Mechanical features**

Weight

g 13

**Dimensions**



**Certifications and compliance**

Compliance

/

Certificates

/

**ETIM classification**

ETIM 8.0

EC000029 -  
 Push-switch  
 button