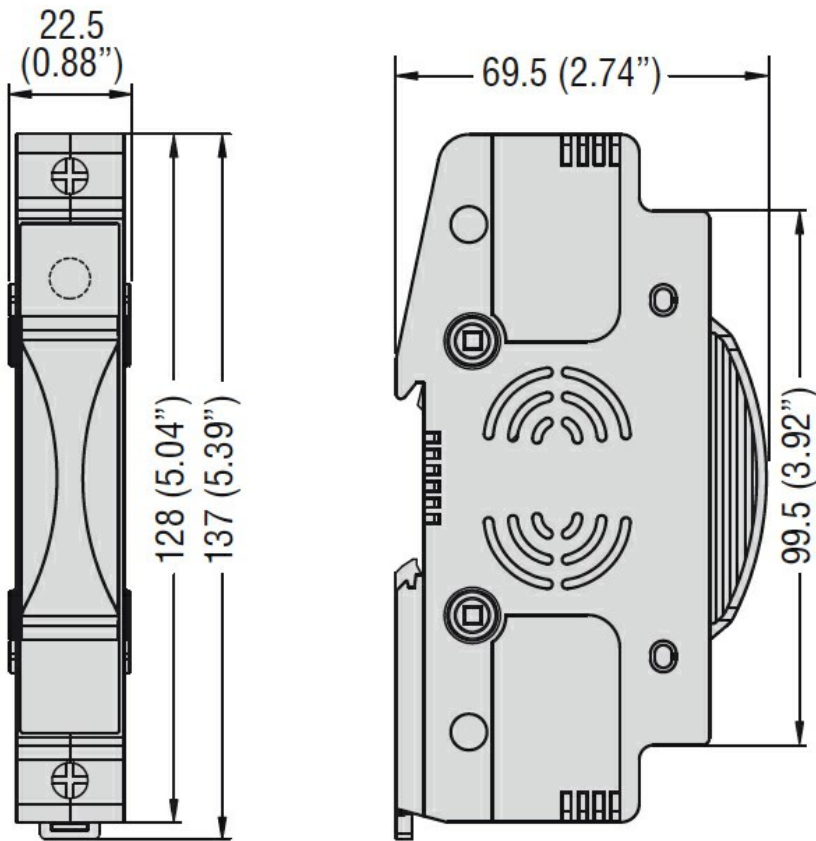




Product designation				Fuse holder
Product type designation				FB
Number of DIN modules				1
Operating voltage type				DC
<b>Electrical features</b>				
IEC maximum rated current (In)	A			32
IEC maximum rated voltage (Un)	V			1500
Suitable for IEC fuse class				gPV
IEC Utilization category				DC20B 1500VDC
Power dissipation Max	W			8
Derating factor of rated current In for different ambient temperature				
		20°C	1	
		30°C	0.98	
		40°C	0.94	
		50°C	0.88	
		60°C	0.83	
		70°C	0.75	
Voltage range for status indicator				800...1500VDC
Rated current (In)	A			32
<b>Ambient conditions</b>				
Operating temperature		min	°C	-20
		max	°C	+70
Storage temperature		min	°C	-40
		max	°C	+80
Max altitude			m	3000
<b>Mechanical features</b>				
Operating position		normal allowable	Vertical plan Any	
Fixing				35mm DIN rail
Tightening torque for terminals		max	Nm	2.5
		max	Ibin	22
Conductor section		Flexible max (IEC)	mm <sup>2</sup>	1x10
		- Flexible max (AWG/kcmil)		1x8
		Rigid max (IEC)	mm <sup>2</sup>	1x16
		- Rigid max (AWG/kcmil)		1x6
Weight			g	109
<b>Resistance &amp; Protection</b>				
Frontal IP degree				IP20
<b>Dimensions</b>				



Wiring diagrams



Certifications and compliance

Compliance

IEC/EN/BS 60947-3

ETIM classification

ETIM 8.0

EC002705 -  
 Holder for  
 cylindrical fuse