

### Ø 63 mm 33 and 67 Watts 67 W Part number Contact us



- Long service life
- Usable power : 27 to 50 W
- For low-speed, high-power drive applications
- With 2 ball bearings
- Power supply via 2 output leads

#### Part numbers

	Type	Type	Voltage	References
<b>CONTACT US</b>	67 W	828305	12 V	With 5 pulses/revolution 2-channel encoder

#### Specifications

##### No-load characteristics

Speed of rotation (rpm)	3400
Absorbed power (W)	12,6
Absorbed current (A)	1,05

##### Nominal characteristics

Speed (rpm)	2630
Torque (mNm)	170
Usable power (W)	47
Absorbed power (W)	72
Absorbed current (A)	6
Gearbox case temperature rise (°C)	46
Efficiency (%)	65

##### General characteristics

Insulation class (conforming to IEC 85)	F (155 °C)
Protection (IEC/EN 60529)	IP20
Max. output power (W)	67
Start torque (mNm)	750
Starting current (A)	23,1
Resistance (Ω)	0,52
Inductance (mH)	1,19
Torque constant (Nm/A)	0,034
Electrical time constant (ms)	2,3
Mechanical time constant (ms)	33
Thermal time constant (mn)	20
Inertia (g.cm <sup>2</sup> )	520
Weight (g)	840
Number of segments	12
Service life (h)	4000
Ball bearings	■
Wires length (mm)	200

##### Encoder characteristics

Current consumption (mA)	0,5 →15
Output current (mA)	< 20 (25 °C)
Supply (V)	4,5 →35 DC
Ambient temperature (°C)	-25 →+85

#### Accessories

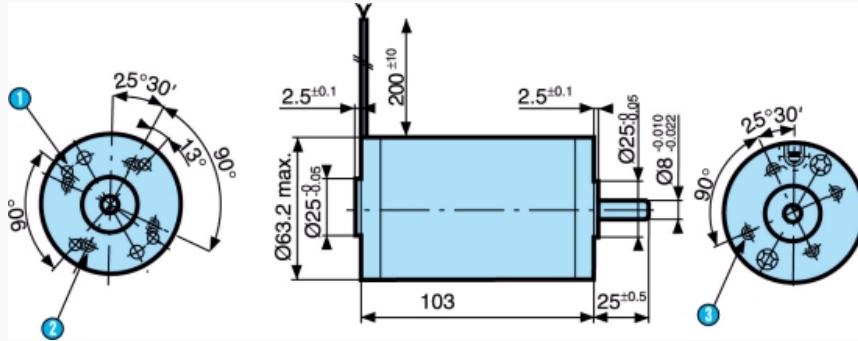
Connection	Code
Pre-assembled female connector, casing 179228-3, tags 179227-1 and leads AWG24 250 mm	79209895

#### Made to order products, available on request

- Other supply voltages
- Shaft lengths at front and/or rear
- Built-in interference suppression
- Encoders
- Other fixing flanges on front and rear
- Short version possible (L = 90 mm)

Dimensions (mm)

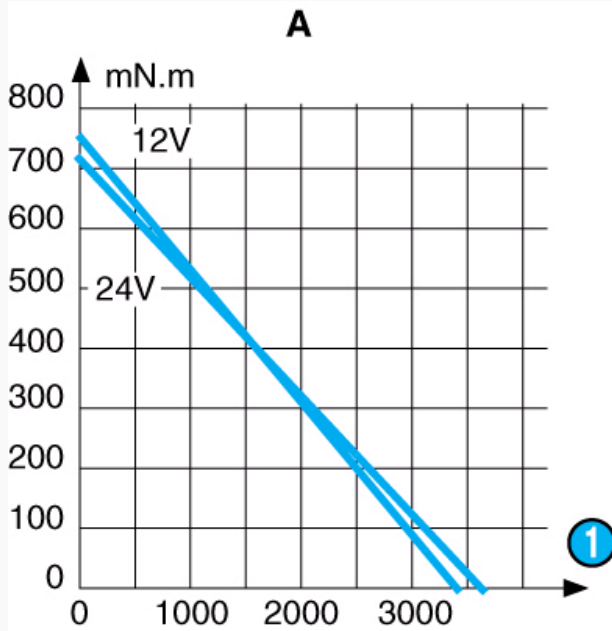
828300 - 828305 without encoder



N°	Legend
①	4 holes Ø 3.65 ±0.05 at 90° over Ø 48
②	4 holes M5 over Ø 40 mm depth 7 mm
③	4 holes M5 over Ø 40 mm depth 7 mm

Curves

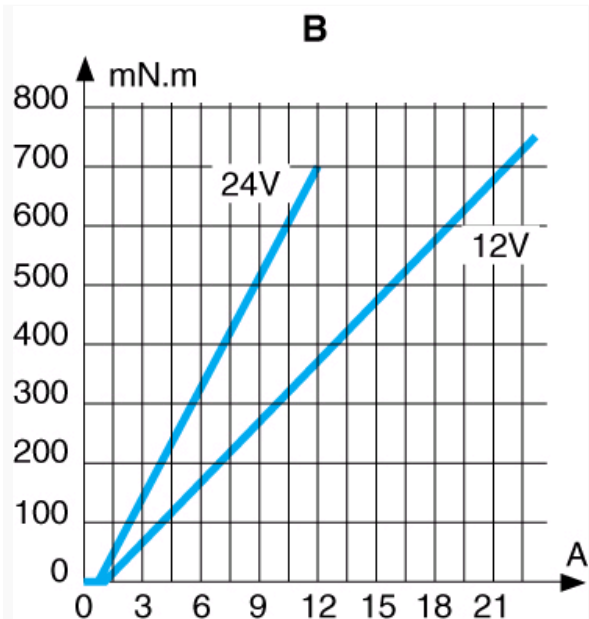
828305



N°	Legend
①	rpm
	Torque/speed curve

Curves

828305



N°	Legend
	Torque/current curve

#### Product adaptations



- Special output shaft
- Pinion on output shaft
- Special supply voltage
- Special cable length
- Special ball bearings
- Optical or Hall effect encoder - 1 or 2 channels - other resolutions
- Special mounting plate
- Special connectors
- EMC filter