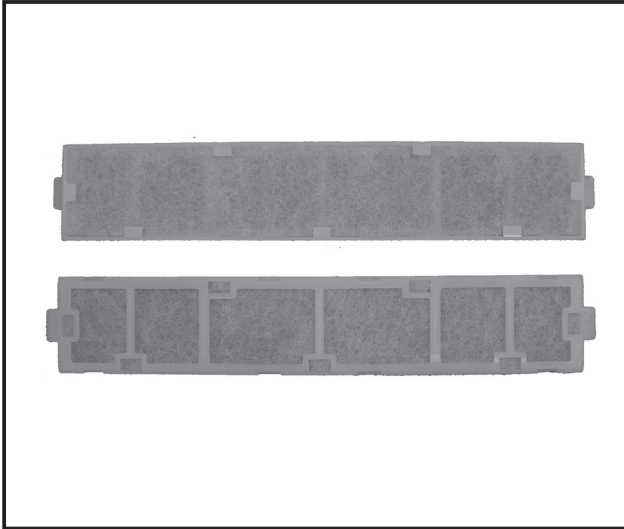


Photo



Descriptions

V Blocking Filter with antiviral effect inhibits 99% of adhered virus, and other harmful substances, such as bacteria, mold and allergen.

Two-layered filter with non-woven fabric and electrostatic filter can effectively capture and remove small particles from the air in your room.

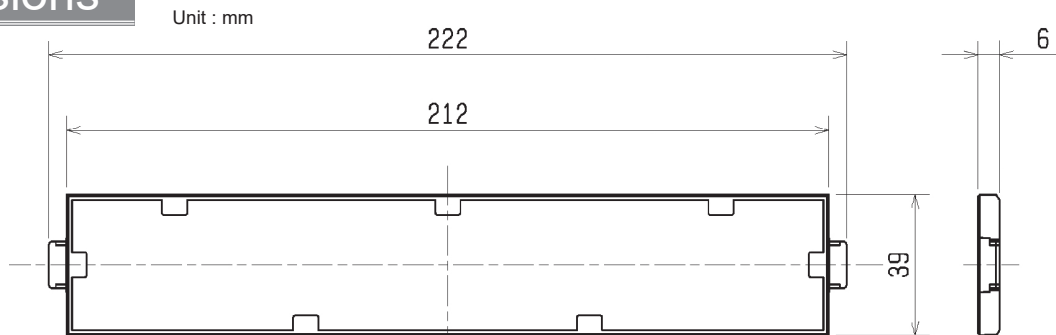
Applicable Models

- MSZ-FT25VG ■ MSZ-EF22VGS ■ MSZ-EF50VGS ■ MSZ-DW35VF
- MSZ-FT35VG ■ MSZ-EF25VGW ■ MSZ-BT20VG ■ MSZ-DW50VF
- MSZ-FT50VG ■ MSZ-EF25VGB ■ MSZ-BT25VG ■ MSY-TP35VF
- MSZ-AP25VG ■ MSZ-EF25VGS ■ MSZ-BT35VG ■ MSY-TP50VF
- MSZ-AP35VG ■ MSZ-EF35VGW ■ MSZ-BT50VG ■ MFZ-KW25VG
- MSZ-AP42VG ■ MSZ-EF35VGB ■ MSZ-HR25VF ■ MFZ-KW35VG
- MSZ-AP50VG ■ MSZ-EF35VGS ■ MSZ-HR35VF ■ MFZ-KW50VG
- MSZ-EF18VGW ■ MSZ-EF42VGW ■ MSZ-HR42VF ■ MFZ-KW60VG
- MSZ-EF18VGB ■ MSZ-EF42VGB ■ MSZ-HR50VF ■ PKA-M35LA(L)2
- MSZ-EF18VGS ■ MSZ-EF42VGS ■ MSZ-HR60VF ■ PKA-M50LA(L)2
- MSZ-EF22VGW ■ MSZ-EF50VGW ■ MSZ-HR71VF
- MSZ-EF22VGB ■ MSZ-EF50VGB ■ MSZ-DW25VF

Specifications

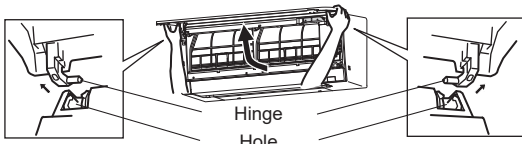
Material	Filter: Polyester, rayon, actylic resin Frame: Polypropylen
Color (Filter)	Green

Dimensions



How to Use / How to Install

Replacement of the air cleaning filter <MSZ Type>



1. Lift the front panel until a "click" is heard.
2. Hold the hinges and pull to remove as shown in the illustration above.
 - Wipe with a soft dry cloth or rinse it with water.
 - Do not soak it in water for more than two hours.
 - Dry it well in shade before installing it.
3. Install the front panel by following the removal procedure in reverse. Close the front panel securely and press the positions indicated by the arrows.



Every 3 months:

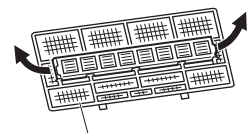
- Remove dirt by a vacuum cleaner.

When dirt cannot be removed by vacuum cleaning:

- Soak the filter and its frame in lukewarm water before rinsing it.
- After washing, dry it well in shade. Install all tabs of the air filter.

Every year:

- Replace it with a new air cleaning filter for best performance.



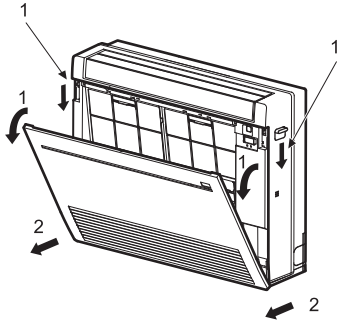
Pull to remove from the air filter

OPTIONAL PARTS

INDOOR UNIT

Replacement of the air cleaning filter <MFZ Type>

1. Push down the tab on the both sides of the unit to open the front panel.
2. Pull the front panel toward you to remove it.
3. Open the front panel completely and then remove it.
 - Wipe with a soft dry cloth or wash it with water.
 - Do not soak it in water for more than two hours.
 - Dry it well in shade before installing it.
4. Install the front panel by following the removal procedure in reverse.



Clean every 3 months:

- Remove dirt by a vacuum cleaner.

When dirt cannot be removed by vacuum cleaning:

- Soak the filter and its frame in lukewarm water before rinsing it.
(Diluted mild detergents can be used when dirt cannot be removed.)
- After washing, dry it well in shade.

Every year:

- Replace it with a new air cleaning filter for best performance.

