



Product designation	Power contactor		
Product type designation	B630		
Contact characteristics			
Number of poles	Nr.	3	
Rated insulation voltage U _i IEC/EN	V	1000	
Rated impulse withstand voltage U _{imp}	kV	8	
Operational frequency	min	Hz	25
	max	Hz	400
IEC Conventional free air thermal current I _{th}	A	800	
Operational current I _e	AC-1 (≤40°C)	A	800
	AC-1 (≤55°C)	A	640
	AC-1 (≤70°C)	A	540
	AC-3 (≤440V ≤55°C)	A	630
	AC-4 (400V)	A	260
Rated operational power AC-3 (T≤55°C)	400V	kW	355
Rated operational power AC-1 (T≤40°C)	230V	kW	288
	400V	kW	500
	500V	kW	655
	690V	kW	860
IEC max current I _e in DC1 with L/R ≤ 1ms with 1 poles in series	75V	A	800
	110V	A	460
	220V	A	--
	330V	A	--
	460V	A	--
IEC max current I _e in DC1 with L/R ≤ 1ms with 2 poles in series	75V	A	800
	110V	A	800
	220V	A	700
	330V	A	--
	460V	A	--
IEC max current I _e in DC1 with L/R ≤ 1ms with 3 poles in series	75V	A	800
	110V	A	800
	220V	A	800
	330V	A	700
	460V	A	--
IEC max current I _e in DC1 with L/R ≤ 1ms with 4 poles in series	75V	A	800
	110V	A	800
	220V	A	800

	330V	A	750
	460V	A	700
<hr/>			
IEC max current Ie in DC3-DC5 with L/R ≤ 15ms with 1 poles in series	75V	A	800
	110V	A	460
	220V	A	--
	330V	A	--
	460V	A	--
<hr/>			
IEC max current Ie in DC3-DC5 with L/R ≤ 15ms with 2 poles in series	75V	A	800
	110V	A	800
	220V	A	700
	330V	A	--
	460V	A	--
<hr/>			
IEC max current Ie in DC3-DC5 with L/R ≤ 15ms with 3 poles in series	75V	A	800
	110V	A	800
	220V	A	800
	330V	A	650
	460V	A	--
<hr/>			
IEC max current Ie in DC3-DC5 with L/R ≤ 15ms with 4 poles in series	75V	A	800
	110V	A	800
	220V	A	800
	330V	A	650
	460V	A	700
<hr/>			
Short-time allowable current for 10s (IEC/EN60947-1)		A	5040
<hr/>			
Protection fuse	gG (IEC)	A	1000
	aM (IEC)	A	630
<hr/>			
Making capacity (RMS value)		A	6300
<hr/>			
Breaking capacity at voltage	440V	A	6300
	500V	A	5600
	690V	A	5000
<hr/>			
Resistance per pole (average value)		mΩ	0.14
<hr/>			
Power dissipation per pole (average value)	Ith	W	90
	AC-3	W	56
<hr/>			
Tightening torque for terminals	min	Nm	55
	max	Nm	55
	min	Ibin	40.6
	max	Ibin	40.6
<hr/>			
Tightening torque for coil terminal	min	Nm	1
	max	Nm	1
	min	Ibin	0.74
	max	Ibin	0.74
<hr/>			
Max number of wires simultaneously connectable		Nr.	2
<hr/>			
Conductor section	AWG/Kcmil		
		max	2x 600 kcmil

Power terminal protection according to IEC/EN 60529				IP00
Mechanical features				
Operating position	normal allowable			Vertical plan ±30°
Fixing				Screw
Weight				g 1907
Conductor section	AWG/kcmil conductor section	max	2x 600 kcmil	
Operations				
Mechanical life			cycles	5000000
Electrical life			cycles	700000
Safety related data				
Performance level B10d according to EN/ISO 13489-1	rated load mechanical load	cycles	cycles	700000 5000000
Mirror contacts according to IEC/EN 609474-4-1				yes
EMC compatibility				yes
AC coil operating				
Rated AC voltage at 50/60Hz, 60Hz	min	V	220	
	max	V	240	
AC operating voltage	of 50/60Hz coil powered at 50Hz			
	pick-up			
	min	%Us	80	
	max	%Us	110	
	drop-out			
	min	%Us	20	
	max	%Us	60	
	of 50/60Hz coil powered at 60Hz			
	pick-up			
	min	%Us	80	
	max	%Us	110	
	drop-out			
	min	%Us	20	
	max	%Us	60	
	of 60Hz coil powered at 60Hz			
	pick-up			
	min	%Us	80	
	max	%Us	110	
	drop-out			
	min	%Us	20	
	max	%Us	60	
AC average coil consumption at 20°C	of 50/60Hz coil powered at 50Hz			
	in-rush	VA	400	
	holding	VA	18	
	of 50/60Hz coil powered at 60Hz			
	in-rush	VA	400	
	holding	VA	18	
Dissipation at holding ≤20°C 50Hz				W 18

DC coil operating

DC rated control voltage

min	V	220
max	V	240

DC operating voltage

pick-up

min	%Us	80
max	%Us	110

drop-out

min	%Us	20
max	%Us	60

Average coil consumption $\leq 20^{\circ}\text{C}$

in-rush	W	400
holding	W	18

Max cycles frequency

Mechanical operation

cycles/h 1200

Operating times

Average time for Us control

in AC

Closing NO

min	ms	110
max	ms	180

Opening NO

min	ms	60
max	ms	100

in DC

Closing NO

min	ms	110
max	ms	180

Opening NO

min	ms	60
max	ms	100

UL technical data

General USE

Contactor

AC current A 800

Short-circuit protection fuse, 600V

Standard fault

Short circuit current	kA	18
Fuse rating	A	1500
Fuse class		L

Ambient conditions

Temperature

Operating temperature

min	$^{\circ}\text{C}$	-50
max	$^{\circ}\text{C}$	70

Storage temperature

min	$^{\circ}\text{C}$	-60
max	$^{\circ}\text{C}$	80

Max altitude

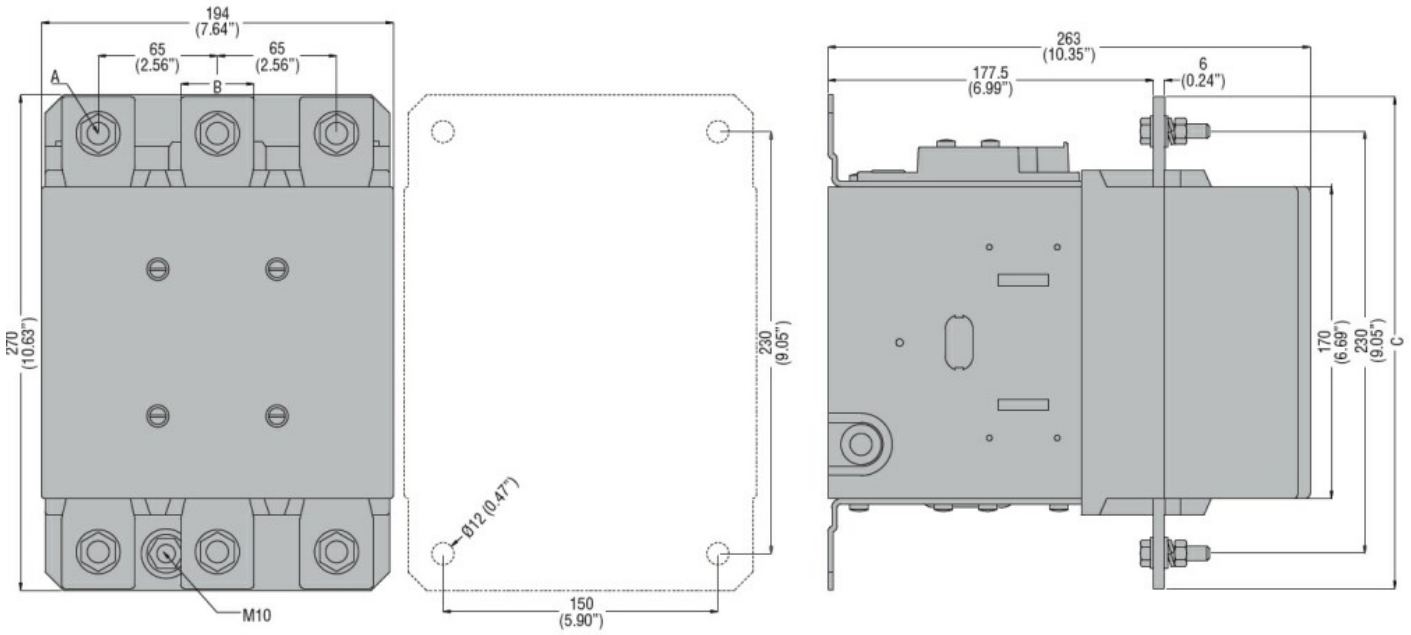
m 3000

Resistance & Protection

Pollution degree

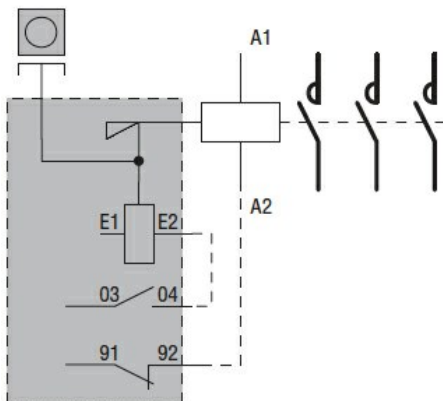
3

Dimensions



CONTACTOR TYPE	A	B	C
B500	M10	35 (1.38")	265 (10.43")
B630	M12	40 (1.57")	270 (10.63")

Wiring diagrams



Certifications and compliance

Compliance

- CSA C22.2 n° 60947-1
- CSA C22.2 n° 60947-4-1
- IEC/EN 60947-1
- IEC/EN 60947-4-1
- UL 60947-1
- UL 60947-4-1

Certificates

cULus

ETIM classification

ETIM 8.0

EC000066 -
Power contactor,
AC switching