



Level control relay for emptying function. Dual voltage. Plug-in version
LV2E
Emptying

Product designation

Product type designation

Function

Auxiliary supply

Supply voltage Type		Dual voltage
Rated voltage Us		24/48VAC
Operating voltage range		0.85...1.1 Us
Rated frequency	Hz	50/60
Power consumption Max	VA	5.5
Power dissipation Max	W	2.8

Output characteristics

Number of connectable electrodes	Nr.	3
Type of electrode		Electrode and electrode holders: SN1 / SCM / CGL / PS31 / PS3S or similar
Electrode voltage		9VAC (voltage between probes)
Sensitivity	kΩ	7...8 fixed

Time delay

Tripping time	s	≤0.05
Resetting time	s	≤0.1

Relay outputs

Number of relays	Nr.	1
Relay state		Normally de-energised, energises at tripping
Contact arrangement		1 changeover contact C/O-SPDT
Rated operational voltage AC (IEC)	VAC	220
Maximum switching voltage	VAC	380
IEC Conventional free air thermal current Ith	A	5
UL/CSA and IEC/EN 60947-5-1 designation		B300
Electrical life (with rated load)	cycles	2.5 x 10 ⁵
Mechanical life	cycles	50x10 ⁶

Indications

Indication		1 red LED for relay state
------------	--	---------------------------

Connections

Terminals type plug-in

Insulations

Rated insulation voltage U_i V 415

Rated impulse withstand voltage U_{imp} kV 5

Operating frequency withstand voltage kV 2

Ambient conditions

Temperature

Operating temperature

min °C -20
max °C +60

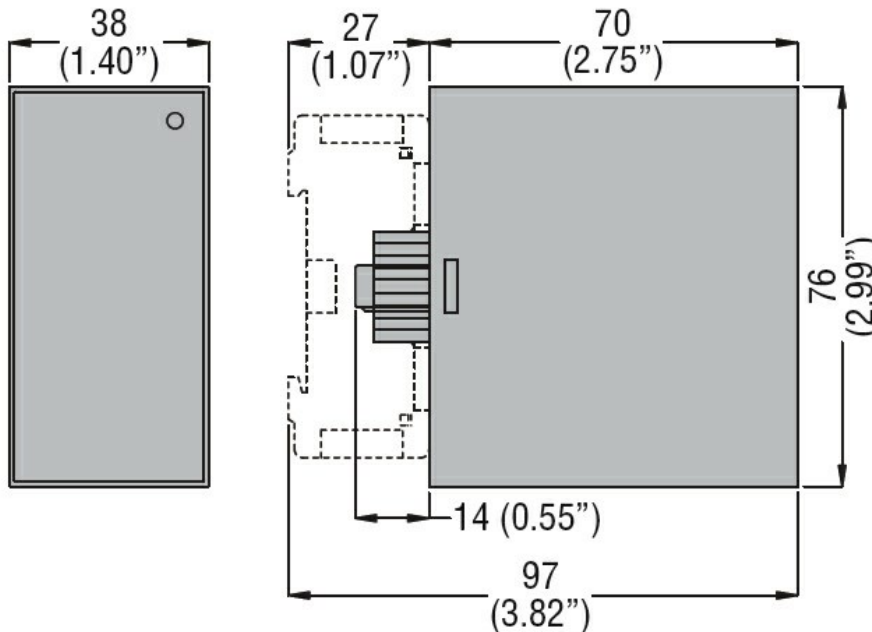
Storage temperature

min °C -30
max °C +80

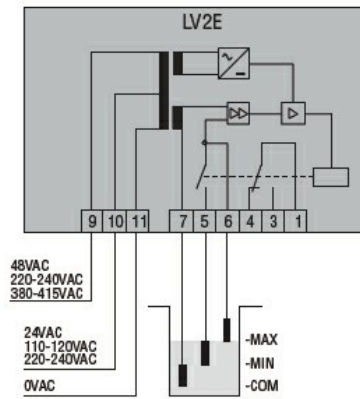
Housing

Execution	11-pin plug-in housing (socket S11)
Material	Self-extinguishing polycarbonate
Mounting	35mm DIN rail (IEC/EN 60715) or 11-pin plug-in housing
IEC degree of protection	IP30
Dimensions (W x H x D)	mm 38 x 76 x 70
Weight	g 266

Dimensions



Wiring diagrams



Certifications and compliance

Compliance

IEC/EN 60255-5

Certificates

EAC

ETIM classification

ETIM 8.0

EC001447 - (Fill)
level monitoring
relay