

## Fiche produit

Article n° 05.545.9000.8

Contact mâle 2,5/14

|                   |               |
|-------------------|---------------|
| Article n°        | 05.545.9000.8 |
| EAN               | 4049088213458 |
| Unité de commande | 100 Piece(s)  |

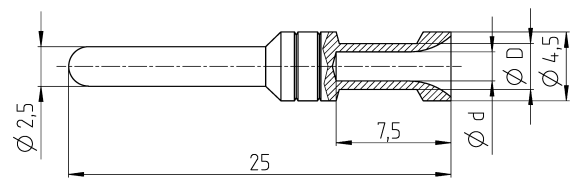
certificats/approbations

## Données techniques

**général**

|                                      |                     |
|--------------------------------------|---------------------|
| Model                                | Broche              |
| section du conducteur souple Min.    | 2,5 mm <sup>2</sup> |
| section du conducteur souple Max.    | 2,5 mm <sup>2</sup> |
| diamètre Min. du câble souple UL/CSA | 14 AWG              |
| diamètre Max. du câble souple UL/CSA | 14 AWG              |
| Type de connexion                    | Crimp               |
| matériel                             | Cuivre              |
| Diamètre du contact                  | 2,5 mm              |
| Surface                              | Plaqué argent       |

**Dessin technique**



zugehöriges Werkzeug *associated tool*  
Crimpbacken *crimp die* "G": 05.502.4900.0  
Kontaktaufnahme *contact positioner* "5": 05.502.5100.0

VPE: 100  
packing unit: 100

| Bestell-Nr.<br>order - no. | Querschnitt<br>cross section<br>mm <sup>2</sup> | AWG | d    | D   | Oberfläche<br>surface       |
|----------------------------|---|-----|------|-----|-----------------------------|
| 05.545.8600.7              | 0,5   | 20  | 1,15 | 2,6 | vergoldet/gold-plated       |
| 05.545.8600.8              |   |     |      |     | versilbert/silver-plated    |
| 05.545.8700.8              | 0,75  | 18  | 1,3  | 2,6 | versilbert<br>silver-plated |
| 05.545.8800.8              | 1,0   | 18  | 1,45 | 2,6 |                             |
| 05.545.8900.8              | 1,5   | 16  | 1,75 | 3,0 |                             |
| 05.545.9000.8              | 2,5   | 14  | 2,25 | 3,5 |                             |
| 05.545.9100.8              | 4,0   | 12  | 2,85 | 3,9 |                             |

Weitere Daten siehe KATALOG oder eKatalog  
additional data see CATALOG or eCATALOG

www.wieland-electric.com  
eshop.wieland-electric.com

Tolerierung Size ISO 14405 © / Tolerance system Size ISO 14405 ©. jstyes  Stoffverfalls- und Deklarationsliste nach VW 50200 (ist enthalten)  
(This ISO-standard describes the envelope principle. According to the envelope principle the deviations of form and position are limited by the size tolerances). (conformity with Wieland document VW 50200 (a list of prohibited / degradable hazardous substances) to be declared)

Freitoleranz nach General tolerance DIN ISO 2768 - m  AD - Zeichnung, keine manuellen Änderungen  Verwendung  Blatt: 1 von 1  
ASD - drawing, no manual modifications allowed first use Sheet: 1 of 1

| Werkstoff / Material | Tag/Date   | Name   | Zeichnung Nr. / Drawing No. | Index |
|----------------------|------------|--------|-----------------------------|-------|
|                      | 17.04.2020 | Dutsch | T 05.545.8500.7 13K         | -     |

Maße in mm / Dimensions are in mm

**STECKERKONTAKT**  
Crimpanschluss  
MALE CONTACT - crimp connection

**wieland**  
www.wieland-electric.com

index  Blatt  Blatt  Blatt  
Änderung / Revision

05\_545\_8500\_7\_13K-AA-dwg1\_main\_1 CADW4031 Quetsch 2020-04-22T08:44:22 .000 3 4 5 6 QU-MEE-01/14 a