

Part number

CR BDE



Bridge, 2 poles, for delta connection, open type crimp barrel

Product description

Product type	Bridge
N. of poles	2 poles
Specification	For delta connection Open type crimp barrel

Technical data

Current	10 A
Contact type	Turned silver plated

Further technical details

Weight	2,70 g
---------------	--------

General ordering information

EAN13 code	8015747085502
eCl@ss 8.1	27141140
ETIM 7.0	EC000489

Packaging Information

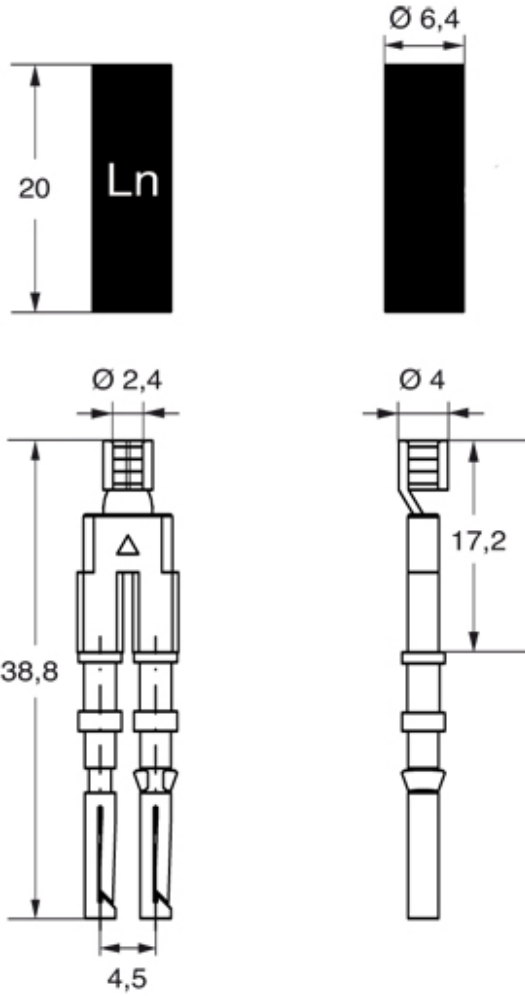
Sub-packaging length	50,00 mm
Sub-packaging height	44,00 mm
Sub-packaging width	50,00 mm
Sub-packaging weight	0,08 kg
Sub-packaging volume	0,11 dm ³
Sub-packaging description	Plastic box
Sub-packaging quantity	30 Pcs
Sub-packaging EAN barcode	8015747087353

Part number

CR BDE



Catalogue drawings



Notes

Dimensions shown in mm are not binding and may be changed without notice.