



Product designation	Open frame
Product type designation	BFA095

Electrical features

Maximum operating current ($\leq 440V$)	A	160
Relay adj range	A	46-65

Components

Contactor standard supplied	BF9500A / BF9500A / BF6500A
Thermal relay standard supplied	No
Thermal relay to purchase separately	RF110
Auxiliary contact standard supplied	BFX1020 / BFX1011 / BFX1011

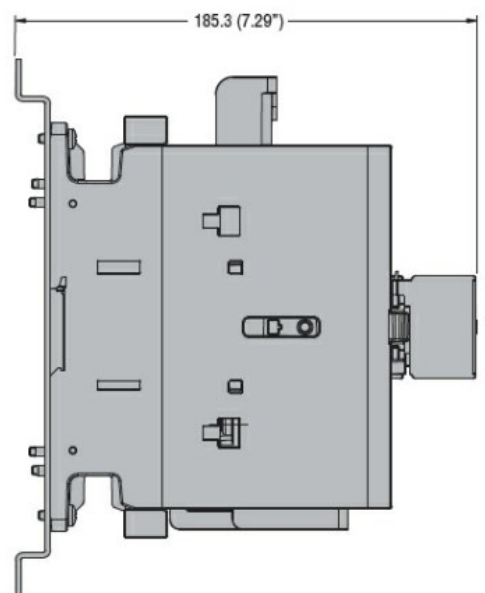
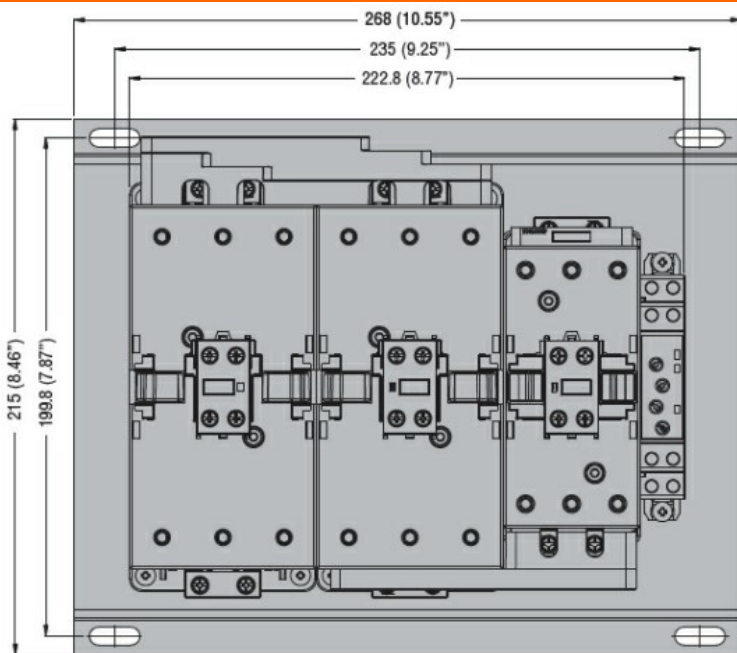
Contact characteristics

IEC standard motor powers	230V	kW	45
	400V	kW	90
	440V	kW	90
	500V	kW	110

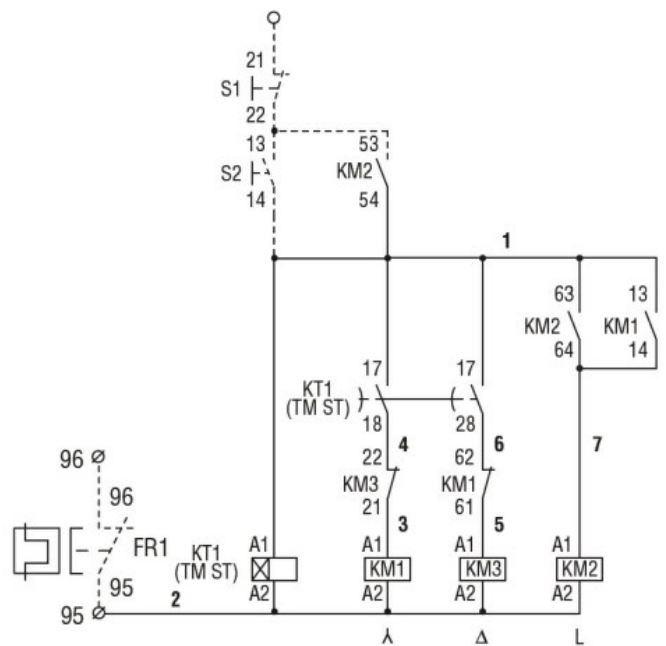
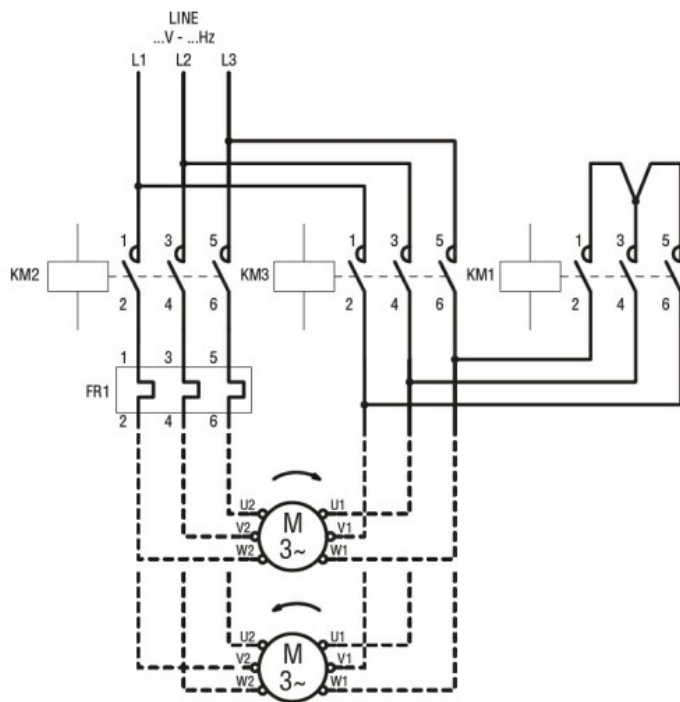
Mechanical features

Weight	g	6900
--------	---	------

Dimensions



Wiring diagrams



Certifications and compliance

Compliance

IEC/EN 60947-1
IEC/EN 60947-4-1

Certificates

/

ETIM classification

ETIM 8.0

EC001037 -
Motor
starter/Motor
starter
combination