

Product designation				Enclosed rotary cam switch	
Product type designation				7GN125	
General characteristics					
Switching diagram				26 - 3-phase motor reversing switch with spring return	
N° of elements				3	
Mounting form				P - Plastic enclosure with black handle	
Contact characteristics					
Rated insulation voltage U_i	IEC/EN	V	690		
	UL/CSA	V	600		
Rated impulse withstand voltage U_{imp}			kV	6	
Conventional free air thermal current I_{th}	IEC/EN	A	125		
	UL/CSA	A	130		
Rated operational voltage			V	690	
Rated operational impulse voltage			kV	6	
Maximum fuse size for short-circuit protection I_n (gG)	10kA	A	125		
	15kA	A	100		
	25kA	A	100		
	50kA	A	100		
	63kA	A	100		
Rated short time current I_{cw}			1s	A	
			2100		
Conductivity				10/5 mA/V	
Operational current I_e IEC/EN	AC1/AC21A		A	125	
	AC15				
		110V	A	40	
		220/230V	A	28	
		380/400V	A	15	
		660/690V	A	5	
Rated operational power in AC	Three-phase AC-3				
			220/230V	kW	18.5
			380/440V	kW	37
			500/690V	kW	33
	Single-phase AC-3				
			110V	kW	5
			220/230V	kW	11
			380/440V	kW	15
	Three-phase AC23A				
			220/230V	kW	30
			380/440V	kW	45
			500/690V	kW	37
Single-phase AC23A					

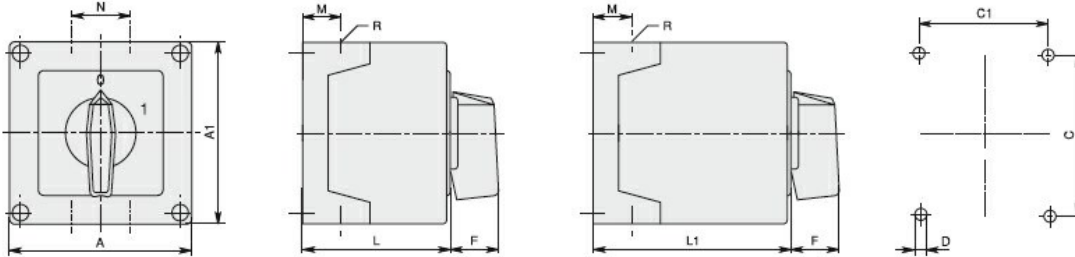
	110V	kW	5
	220/230V	kW	11
	380/440V	kW	15
<hr/>			
Rated operational current in DC			
DC21A			
	48V	A	125
	60V	A	80
	110V	A	10
	220V	A	1.2
<hr/>			
DC23A (poles in series)			
	24V	A	125 (1)
	48V	A	125 (2)
	60V	A	125 (3)
	110V	A	50 (3)
	220V	A	20 (4)
<hr/>			
DC13			
	24V	A	125
	48V	A	100
	60V	A	50
	110V	A	4
<hr/>			
Power dissipation		W	6.3
Mechanical features			
Terminals screw			M2X5
Tightening torque for terminals max		Nm	2
<hr/>			
Conductor size			
AWG - Rigid cable			
	min	AWG	14
	Max	AWG	1/0
<hr/>			
AWG - Flexible cable			
	min	AWG	14
	Max	AWG	1/0
<hr/>			
Conductor size (IEC) - Flexible cable			
	min	mm ²	2.5
	Max	mm ²	50
<hr/>			
Conductor size (IEC) - Rigid cable			
	min	mm ²	2.5
	Max	mm ²	50
<hr/>			
Mechanical life		cycles	1X10 ⁶
UL technical data			
Motor power for direct-on-line control			
for three-phase motor			
	120V	HP	15
	240V	HP	25
	480V	HP	50
	600V	HP	40
<hr/>			
for single-phase motor			
	120V	HP	5
	240V	HP	15
<hr/>			
Ambient conditions			
Temperature			
Operating temperature			
	min	°C	-25
	max	°C	+55
<hr/>			
Storage temperature			

min °C -40
max °C +70

Resistance & Protection

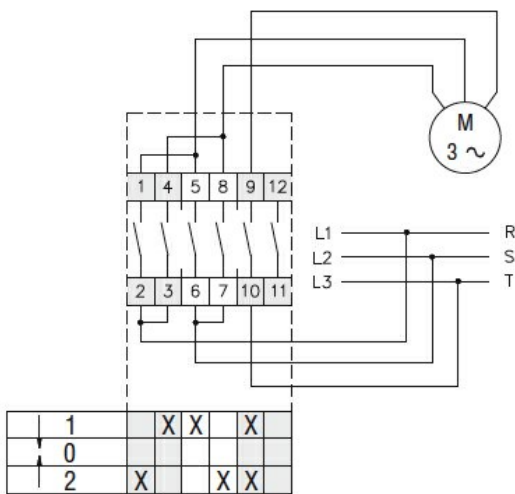
Frontal IP degree	IP65
Terminals IP degree	IP00

Dimensions



Series	Enclosure size	Number of elements		Dimensions										Cable entry	Protection degree
		L	L1	A	A1	C	C1	D	F	M	N	L	L1		
7GN12	75x75	1-2	3-4	75	75	50	64	4.5	19	14	28	57.5	79.8	4xPG13.5	IP65
7GN20		1-2	3-4												
7GN25		1	2-3												
7GN12	90x90	1-3	4-6	90	90	79	63	4.5	25	19	30	71.3	98.3	4xPG16	IP65
7GN20		1-3	4-6												
7GN25		1-2	3-4												
7GN32		1-2	3-4												
7GN40		1	2-3												
7GN12	110x110	1-4	5-8	110	110	98.4	83	4.5	32	21	39.5	85.5	119.5	4xPG21	IP65
7GN20		1-4	5-8												
7GN25		1-3	4-5												
7GN32		1-3	4-5												
7GN40		1-2	3-5												
7GN63	1-2	3-4													
7GN32	125x175	1-3	4-5	125	175	146	112	5.5	32	21	68	84.3	118.3	4xPG21 2xPG11	IP65
7GN40		1-2	3-4												
7GN63		1-2	3-4												
7GN125		1	2												
7GN32	180x254	1-5	6-8	180	254	120	190	5.5	32	35	76	121	175	4xPG29 2xPG11	IP65
7GN40		1-4	5-7												
7GN63		1-3	4-6												
7GN125		1-2	3-4												

Wiring diagrams



Certifications and compliance

Compliance

IEC/EN/BS 60947-1
IEC/EN/BS 60947-3
IEC/EN/BS 60947-5-1

Certificates

EAC

ETIM classification

ETIM 8.0

EC001029 -
Selector switch,
complete