



Grey control station LPZP2A8 complete with white flush pushbutton "up arrow" LPCB1158 1NO and black flush pushbutton "down arrow" LPCB1152 1NO LPZP2B8902

Product designation

Product type designation

General characteristics

Colour	Grey
Material	Polycarbonate
IEC degree of protection	IP66, IP67, IP69K

Ambient conditions

Temperature

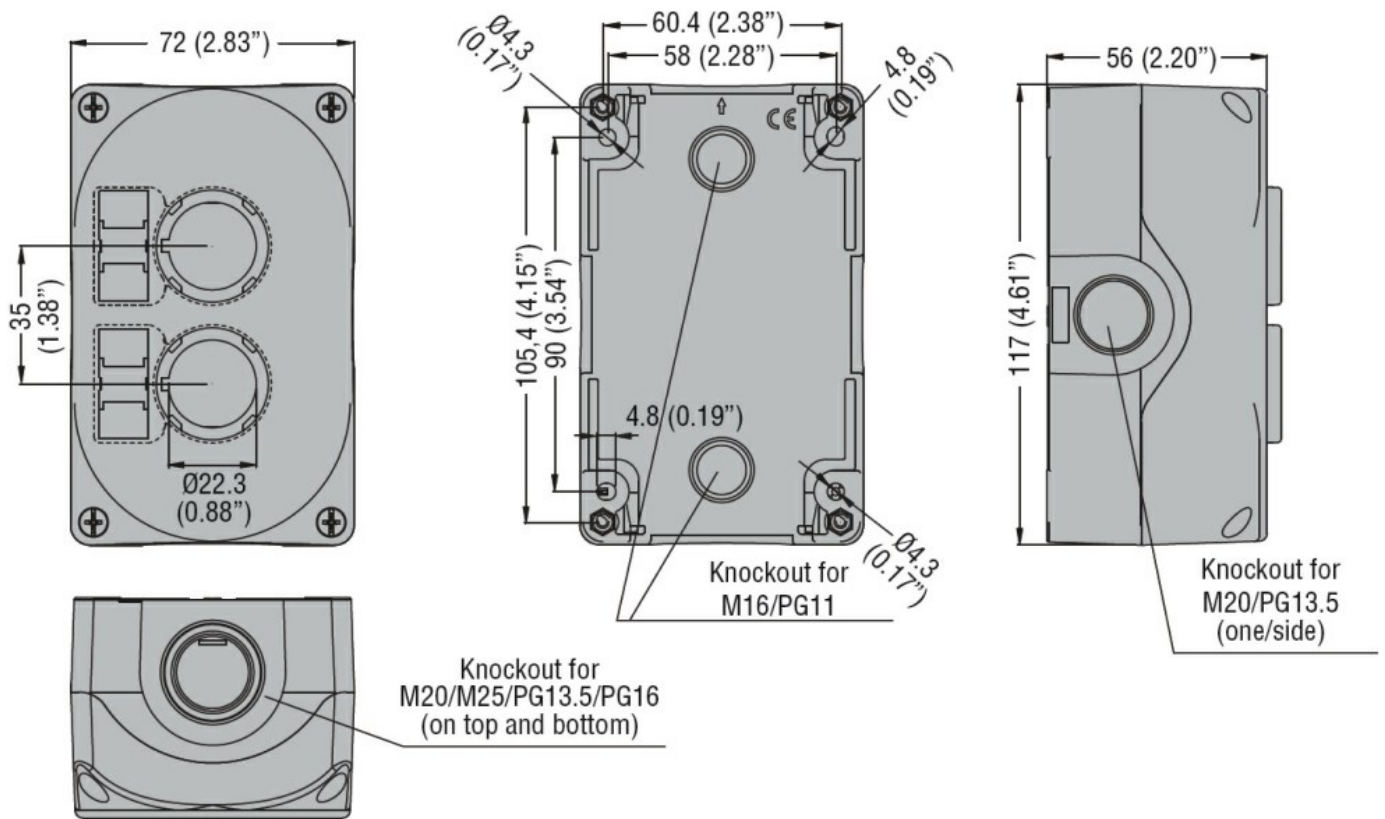
Operating temperature

min	°C	-25
max	°C	+70

Storage temperature

min	°C	-40
max	°C	+85

Dimensions



### Certifications and compliance

#### Certificates

cULus

### ETIM classification

ETIM 8.0

EC000225 -  
Control circuit  
devices  
combination in  
enclosure