



Product designation

Direct-on-line  
starter

Product type designation

M2P00911

**Electrical features**

Relay adj range

A 4-6.5A

IEC technical characteristics ( $\leq 440V$ )

le	A	4
kW	kW	1.1...1.5

**Mechanical features**

Weight

g 1515

**Ambient conditions**

Operating temperature

min	°C	-25
max	°C	+60

Storage temperature

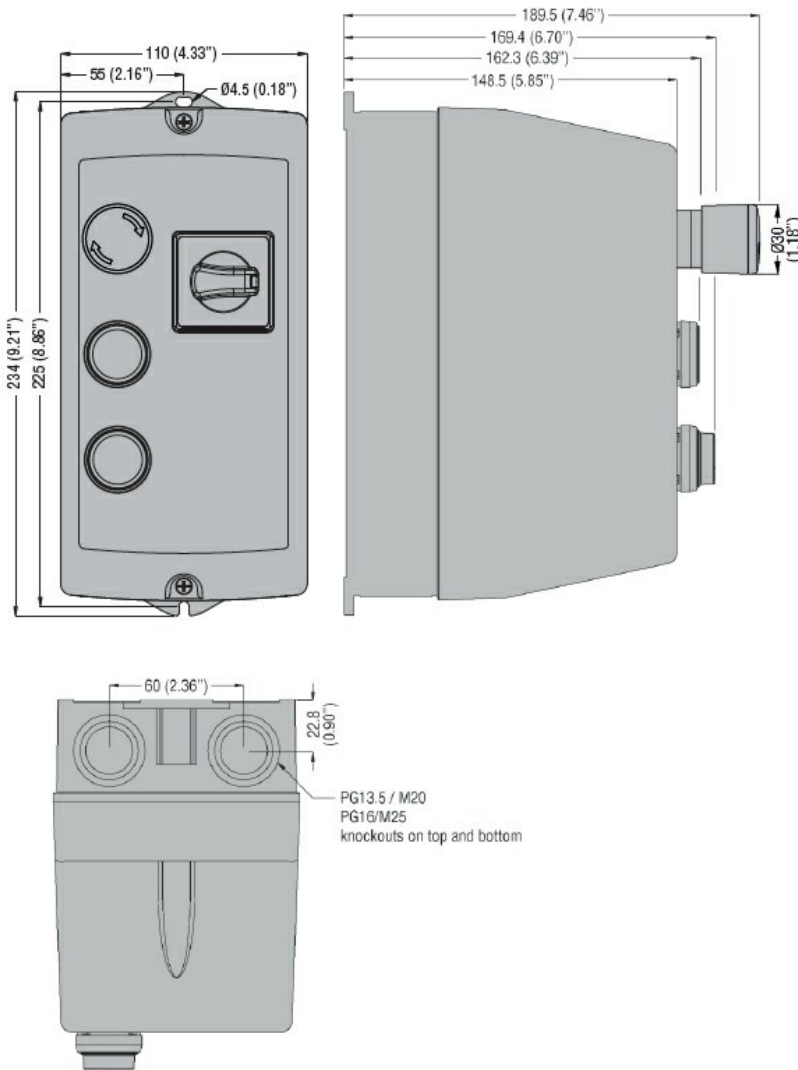
min	°C	-40
max	°C	+70

**Resistance & Protection**

Frontal IP degree

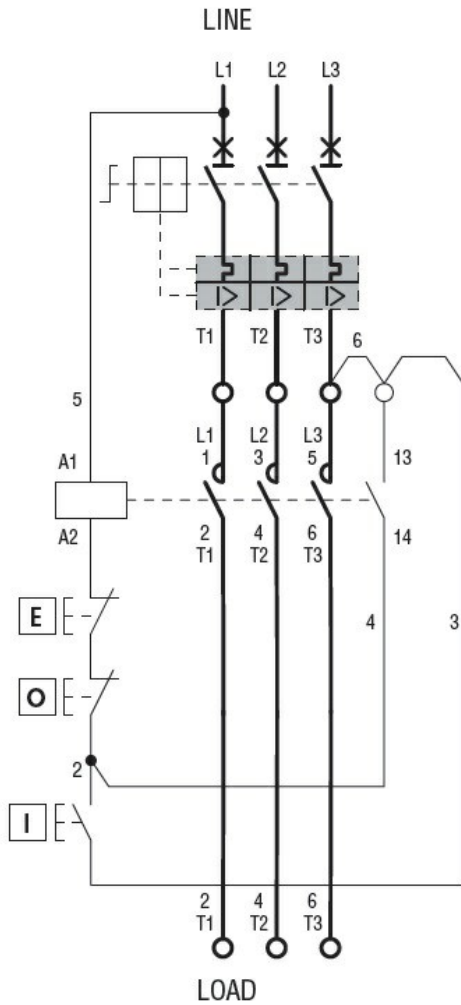
IP65

**Dimensions**



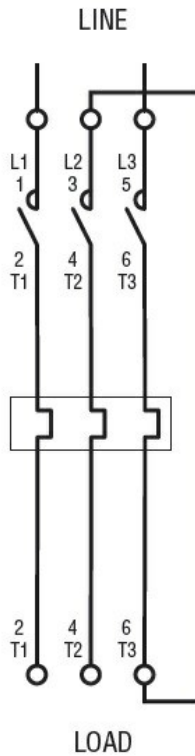
Wiring diagrams

Incorporated button control and rotary actuator for 3-phase motors



I = Start; O = Stop; E = Emergency Stop

Power connection for 1-phase motors



**Certifications and compliance**

Compliance

IEC/EN 60947-1  
IEC/EN 60947-4-1

Certificates

EAC

**ETIM classification**

ETIM 8.0

EC001037 -  
Motor  
starter/Motor  
starter  
combination