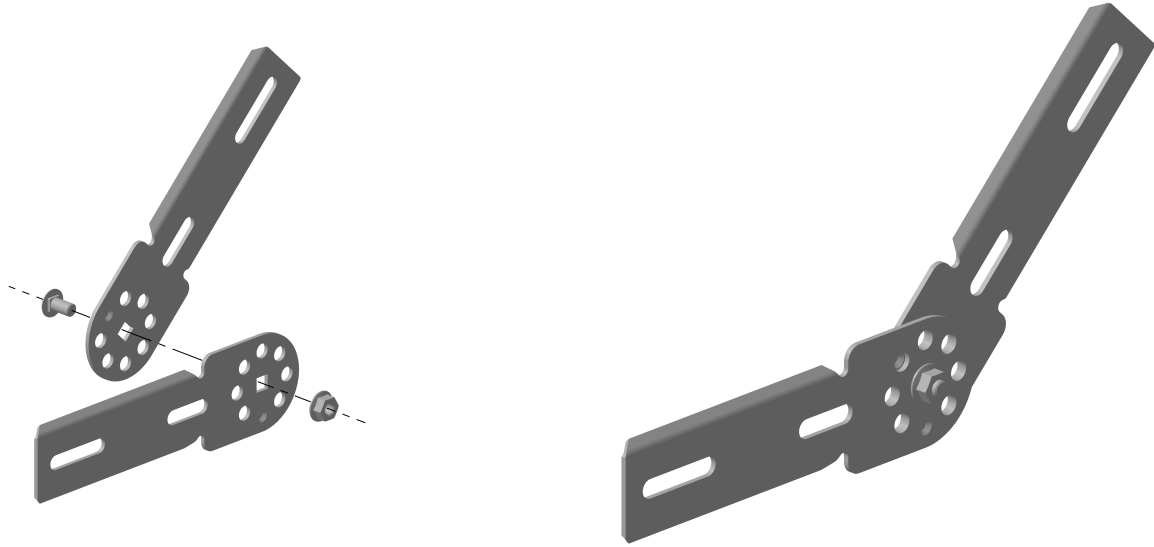
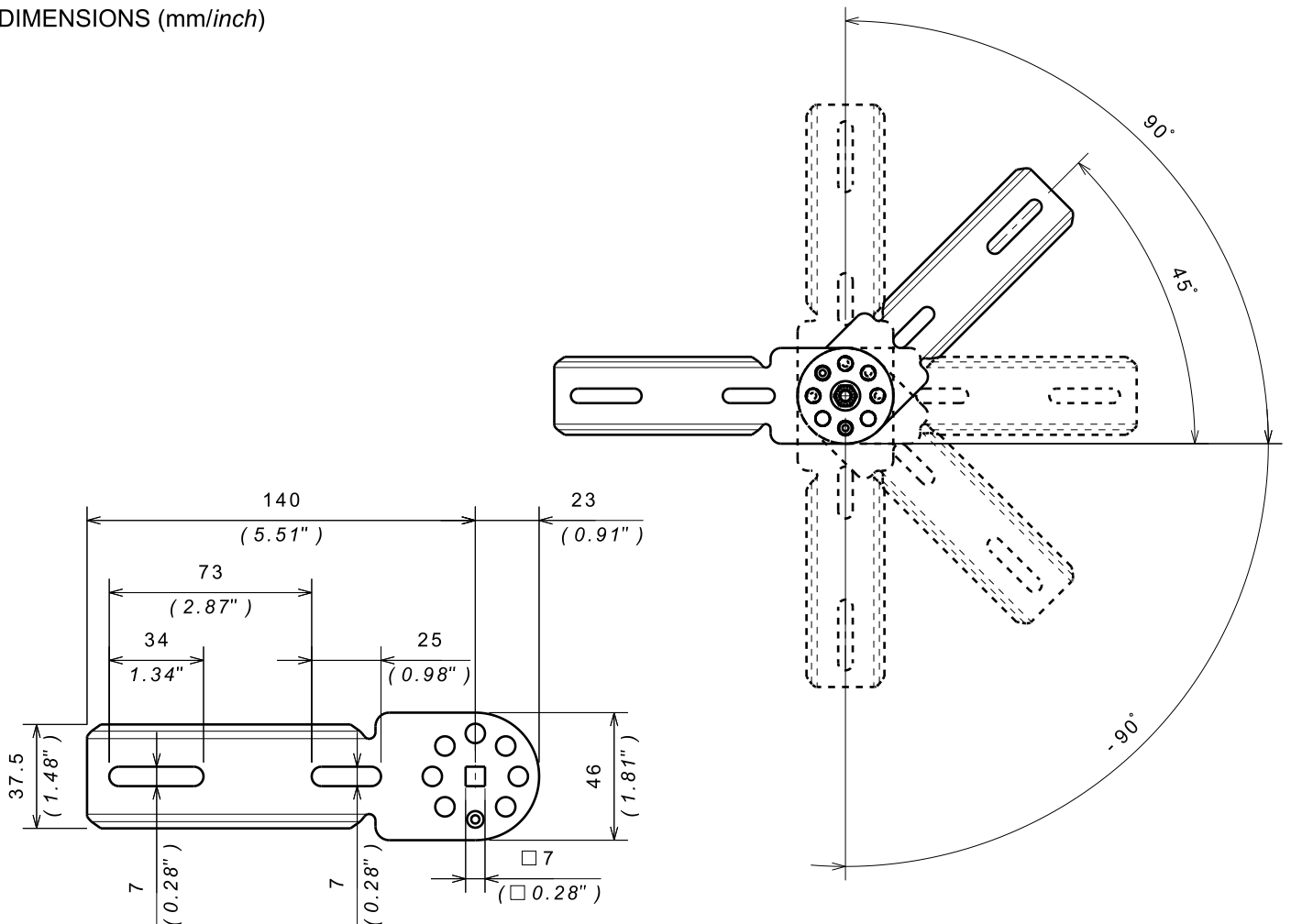


**ECLISSE ARTICULEE EAC
EAC SPLICE**

Reference(s) : 558 403


1. GAMME / RANGE

Designation	Code	Poids / Weight (Kg) (lb)		Epaisseur / Thickness (mm) (inch)		Matière / Material	Norme / Standard	Finition / Coating	Classe de résistance contre la corrosion/ Resistance class against corrosion
EAC ZnMg	558 403	0.180	0.397	2	0.079	DX51D ZM	EN 10346	ZnMg	Class 8 / IEC 61537

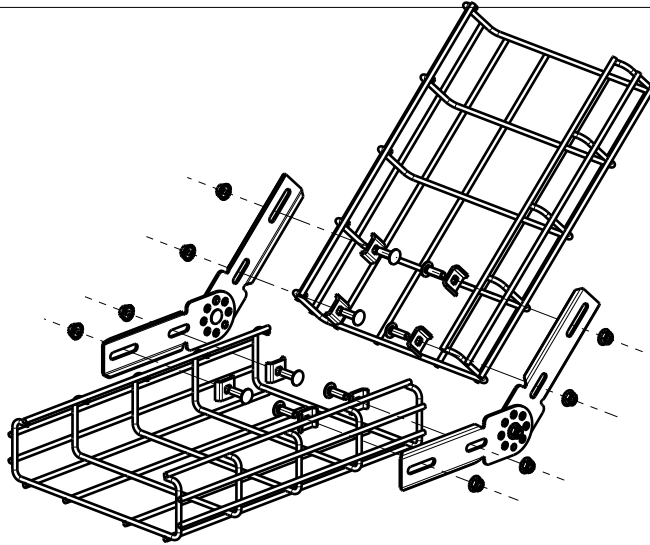
2. DIMENSIONS (mm/inch)


ECLISSE ARTICULEE EAC
EAC SPLICE

Reference(s) : 558 403

3. INSTALLATION

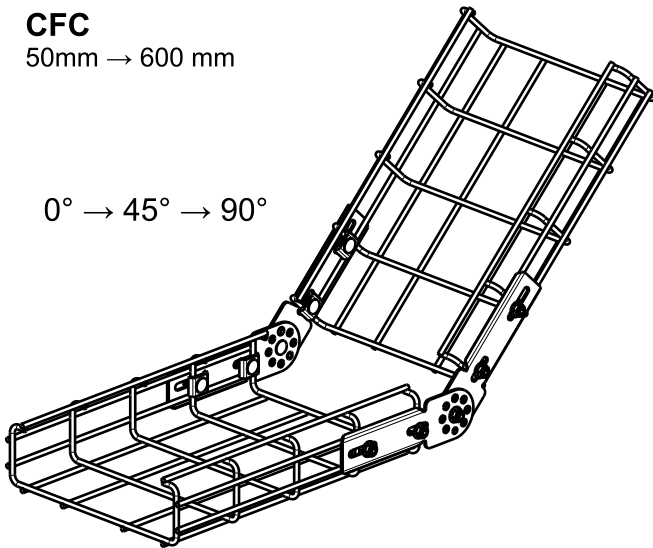
- + CE25 (x8)
- + BTRCC 6x20 (x8)



CFC

50mm → 600 mm

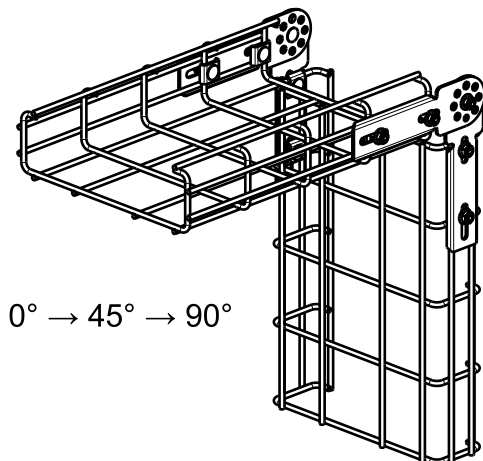
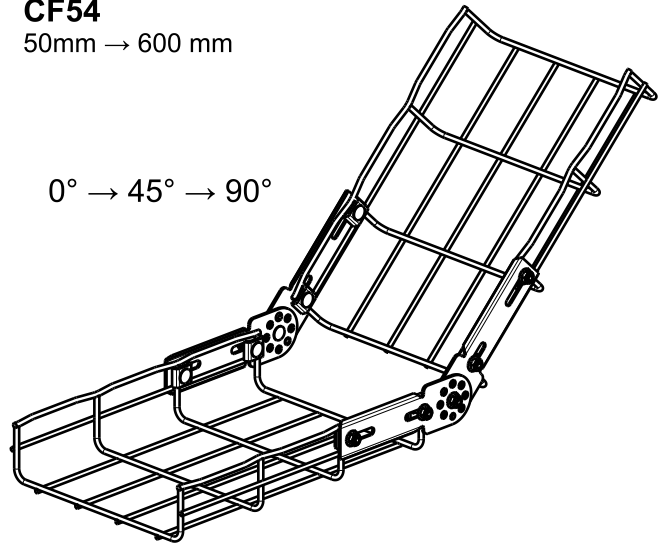
0° → 45° → 90°



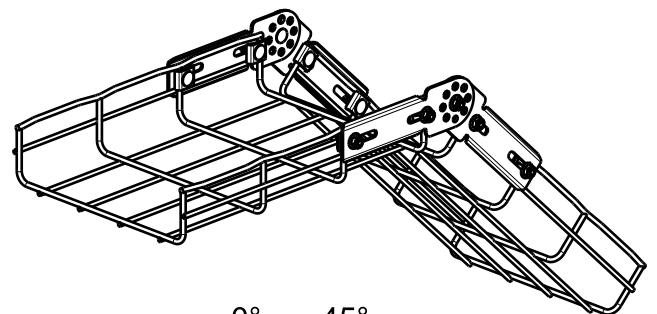
CF54

50mm → 600 mm

0° → 45° → 90°



0° → 45° → 90°



0° → -45°