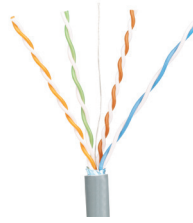


# TX5500™ Shielded Copper Cable – F/UTP

## specifications

Category 5e cable shall exceed ANSI/TIA-568.2-D and IEC 61156-5 Category 5e component standards. The conductors shall be 24 AWG construction and the twisted pairs shall be wrapped in an overall metallic foil within a LSZH or PVC jacket.



## technical information

<b>Electrical performance:</b>	Certified channel performance in a 4-connector configuration up to 100 meters and exceeds ISO 11801 Class D and ANSI/TIA-568.2-D Category 5e standards at swept frequencies up to 100 MHz  Certified component performance up to 100 meters and exceeds the component requirement of IEC 61156-5 and ANSI/TIA-568.2-D Category 5e component standards at swept frequencies up to 100 MHz
<b>Conductors/insulators:</b>	24 AWG solid copper with polyethylene (PE) insulation
<b>Flame rating:</b>	IEC 60332-1, IEC 60754-1, IEC 60754-2, IEC 61034-2, EN50575: Euroclass Eca
<b>Installation tension:</b>	110 N (25 lbf) maximum
<b>PoE compliance:</b>	Meets IEEE 802.3af, IEEE 802.3at and IEEE 802.3bt for PoE applications
<b>Temperature rating:</b>	0°C to 50°C (32°F to 122°F) during installation -20°C to 60°C (-4°F to 140°F) during operation
<b>Cable jacket:</b>	LSZH – Low Smoke Zero Halogen
<b>Cable diameter:</b>	6.0mm (0.236 in.) nominal
<b>Cable weight:</b>	12.2 kg/305m (26.9 lbs./1000 ft.)
<b>Packaging:</b>	305m (1000 ft.) in a carton Package tested to ISTA procedure 1A

## key features and benefits

<b>Foil shield</b>	Reduces ingress of EMI interference to ensure cable performance at high frequency levels
<b>Descending length cable markings</b>	Easy identification of remaining cable reduces installation time and cable scrap

## applications

TX5500™ Shielded F/UTP Copper Cable is a component of the Panduit® TX5500™ Copper Cabling System. The TX5500™ System provides end-to-end Gigabit Ethernet performance with usable bandwidth beyond 100 MHz. With certified performance to ANSI/TIA-568.2-D Category 5e and ISO 11801 Class

D standards, this system will support the following applications:

- Ethernet 10 BASE-T, 100BASE-T (Fast Ethernet), 1000BASE-T (Gigabit Ethernet)
- 115 Mb/s ATM, 622 Mb/s ATM
- Token Ring 4/16

### TX5500™ Shielded Copper Cabling System

#### TX5500™ Shielded F/UTP Copper Cable

**LSZH:** PFL5504\*-KG

#### Mini-Com® TX5e™ Shielded Jack Module

**Jack Module:** CJS5E88TGY

#### TX5e™ Shielded CM/LSZH Patch Cords

**Meters:** STPCH\*\*MBBL

#### Mini-Com® All Metal Angled Patch Panels

**24-port, 1 RU:** CPA24BLY

**48-port, 2 RU:** CPA48BLY

**48-port, 2 RU:** CPA72BLY

#### Mini-Com® All Metal Flat Patch Panels

**24-port, 1 RU:** CP24BLY

**48-port, 2 RU:** CP48BLY

**72-port, 2 RU:** CP72BLY

#### Cable Prep Tools

**Wire Snipping Tool:** CWST

**Wire Stripping Tool:** CJAST

\*To designate color, replace asterisk with color. For cable colors, contact customer service.

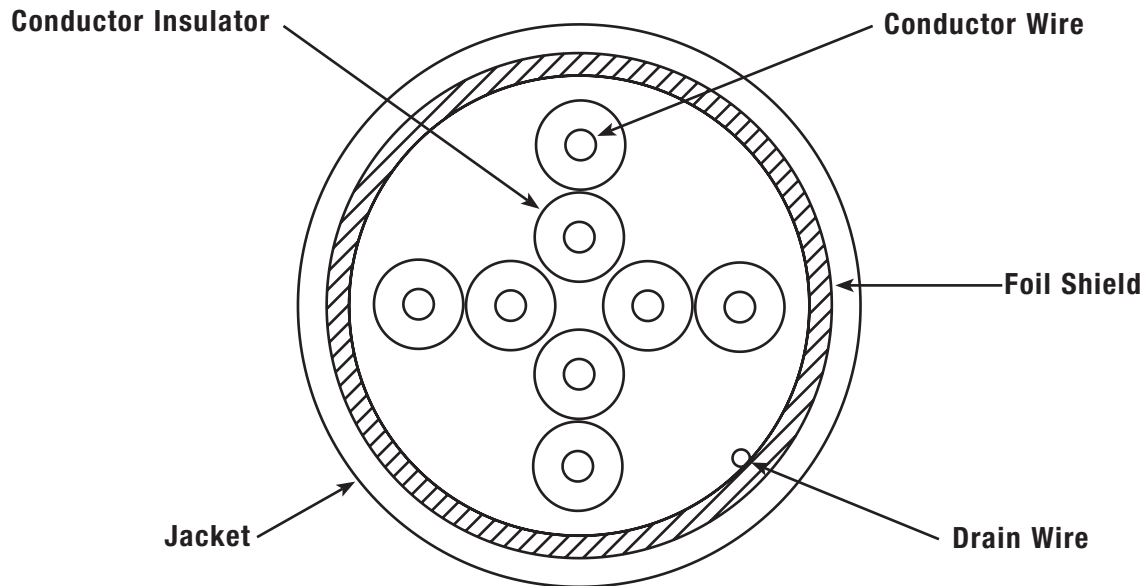
\*\*For lengths 1 to 10 meters (increments of one meter) and 0.5, 1.5, 2.5, 15, 20 meters, change the length designation in the part number to the desired length. For boot colors other than Black replace suffix BL (Black) with BU (Blue), RD (Red), GR (Green), YL (Yellow), OR (Orange), or VL (Violet). For example, the part number for a 15-meter patch cord with blue boots is STPCH15MBBU.

# TX5500™ Shielded Copper Cable – F/UTP

## additional specifications

Mechanical Test	
Ultimate Breaking Strength	>400 N (90 lbf.)
Minimum Bend Radius	4 x cable diameter with load 8 x cable diameter without load
Electrical Test	
Nominal Velocity of Propagation (NVP)	67%

## cable construction



### WORLDWIDE SUBSIDIARIES AND SALES OFFICES

PANDUIT US/CANADA  
Phone: 800.777.3300

PANDUIT EUROPE LTD.  
London, UK  
Phone: 44.20.8601.7200

PANDUIT SINGAPORE PTE. LTD.  
Republic of Singapore  
Phone: 65.6305.7575

PANDUIT JAPAN  
Tokyo, Japan  
Phone: 81.3.6863.6000

PANDUIT LATIN AMERICA  
Guadalajara, Mexico  
Phone: 52.33.3777.6000

PANDUIT AUSTRALIA PTY. LTD.  
Victoria, Australia  
Phone: 61.3.9794.9020

For a copy of Panduit product warranties, log on to [www.panduit.com/warranty](http://www.panduit.com/warranty)

**PANDUIT**®

For more information  
Visit us at [www.panduit.com](http://www.panduit.com)  
Contact Customer Service by email: [cs@panduit.com](mailto:cs@panduit.com)  
or by phone: 800.777.3300

© 2020 Panduit Corp.  
ALL RIGHTS RESERVED.  
Printed in the U.S.A.  
COSP298--WW-ENG  
5/2020