



| | | | | |
|--|-----------|---------|------------|------------------|
| Product designation | | | | MINIATURE RELAYS |
| Product type designation | | | | HR501C |
| Contact characteristics | | | | |
| Contact configuration | | | | 1 C/O |
| Rated insulation voltage U_i IEC/EN | V | | | 250 |
| Rated impulse withstand voltage U_{imp} | kV | | | 6 |
| IEC Conventional free air thermal current I_{th} | A | | | 16 |
| Maximum instantaneous current | A | | | 20 |
| Rated current (I_n) | A | | | 16 |
| Relay control voltage | V | | | 110VDC |
| Max contrrollable power in | | | | |
| | | AC-1 | W | 4000 |
| | | AC-15 | VA | 150 |
| Rated operating power AC-1 | | | VA | 4000 |
| Rated operating power AC-15 | | | VA | 150 |
| | | 230 VAC | VA | 150 |
| Single-phase motor control | | | kW | 0.1 |
| | | 230VAC | kW | 0.1 |
| Rated operating current DC-1 | | | A | 12 |
| | | 30V | A | 12 |
| | | 110V | A | 0.3 |
| | | 220V | A | 0.1 |
| Minimum switching load | | | V / mA | 5 / 100 |
| Contact impedance | | | m Ω | 100 |
| Contact material | | | | Ag/Ni |
| Operating times | | | | |
| Closing | | | ms | <15 |
| Opening | | | ms | <15 |
| Operations | | | | |
| Mechanical life | | | cycles | 10000000 |
| Electrical life AC1 | | | cycles | 30000 |
| Coil characteristics | | | | |
| Average coil consumption AC at 20°C | | | VA | 1 |
| Average coil consumption DC at 20°C | | | W | 0.4 |
| Operating range | | | | |
| | | Closing | % U_n | 75...110 |
| | | Opening | % U_n | 10...30 |
| Maximum cycle frequency | | | cycles/h | 3600 |
| Mechanical features | | | | |
| Max socket terminal tightening torque | | | Nm | 0.6 |
| Socket screw tightening tool (cross / flat blade) | | | | PH1 / 4.5mm |
| Conductor section | | | | |
| | AWG/Kcmil | | | |

| | | | |
|--------------------|---------------------------------|-----------------|-----|
| | min | 20 | |
| | max | 14 | |
| IEC | | | |
| | min | mm ² | 0.5 |
| | max | mm ² | 2.5 |
| Operating position | normal | Any | |
| Fixing | On 35mm DIN rail and with screw | | |

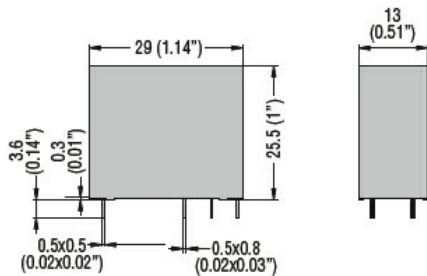
Ambient conditions

| | | | | |
|-------------|-----------------------|-----|----|-----|
| Temperature | Operating temperature | min | °C | -40 |
| | | max | °C | +70 |
| | Storage temperature | min | °C | -40 |
| | | max | °C | +85 |

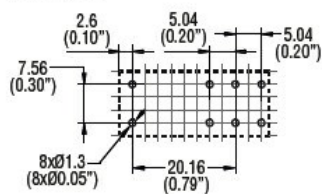
Other features

| | |
|---------------------------------------|-----|
| Indication | Yes |
| Mechanical contact position indicator | Yes |
| Mechanical test actuator | Yes |

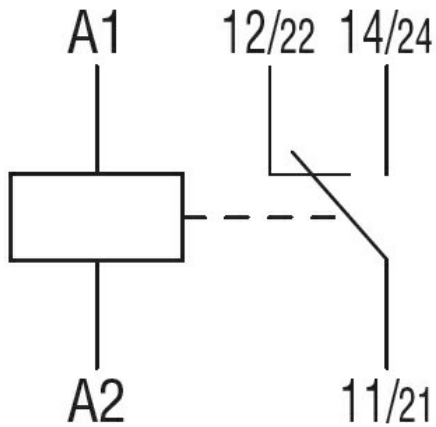
Dimensions



PCB layout



Wiring diagrams



Certifications and compliance

Compliance

IEC/EN 61810

Certificates

CSA

cURus

EAC

VDE

ETIM classification

ETIM 8.0

EC001437 -
Switching relay