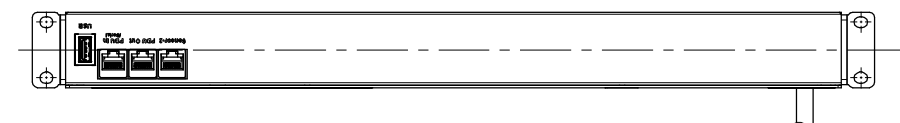


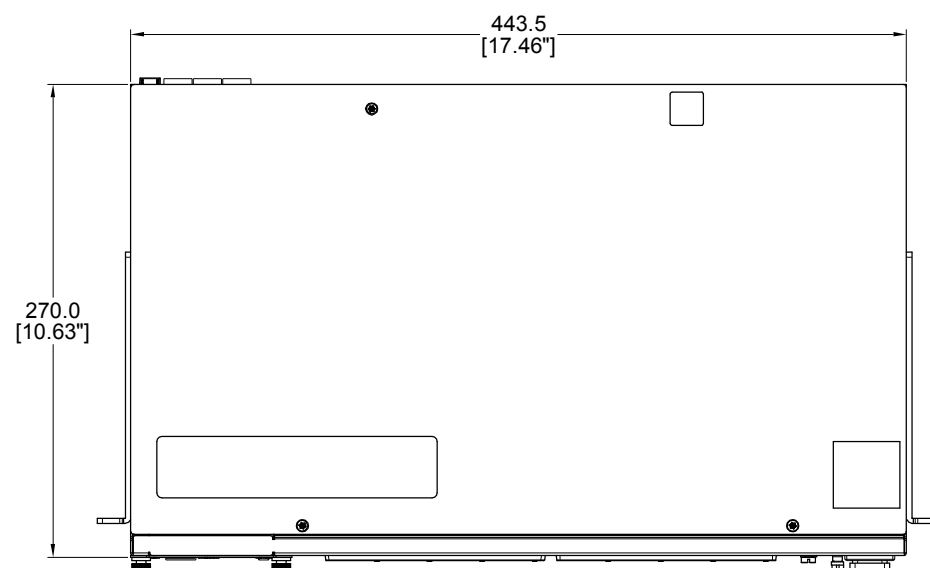
2

1

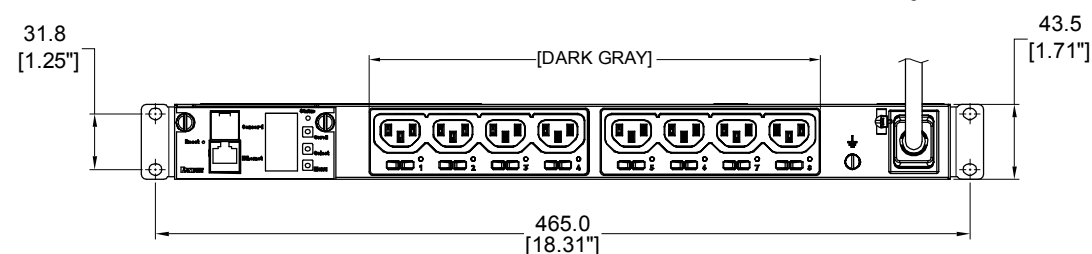
PANDUIT P/N	WEIGHT
P08G10M	5.9kg



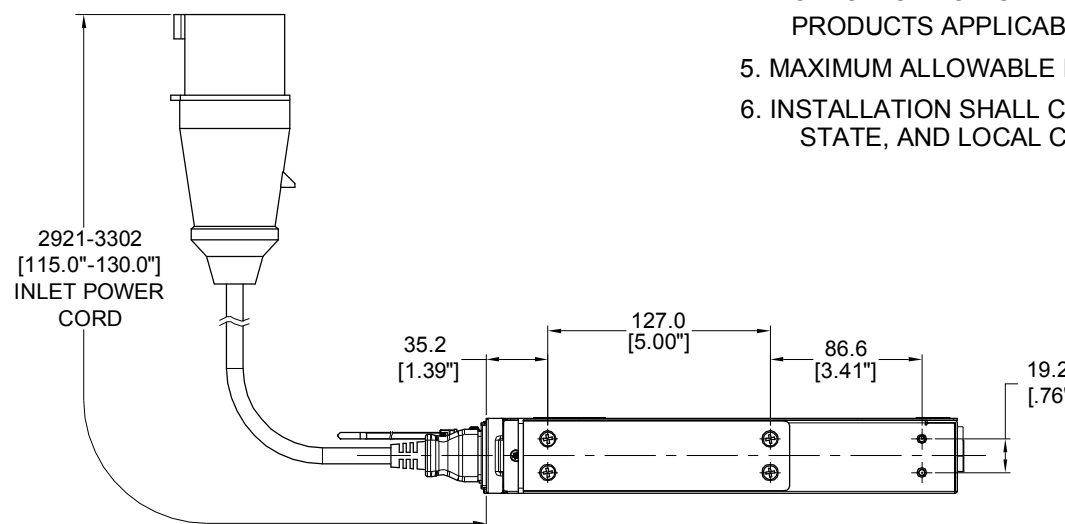
REAR VIEW



TOP VIEW



FRONT VIEW



SIDE VIEW

NOTES:

1. IDENTIFICATION:

UNIT TYPE:	MONITORED & SWITCHED PER OUTLET
ORIENTATION:	HORIZONTAL, 1U
OUTLET QTY&TYPE:	(8)C13
BREAKER QTY&TYPE:	N/A
INPUT VOLTAGE:	100-240VAC
INPUT CURRENT:	16A
INPUT PHASE:	SINGLE-PHASE
RATED POWER:	3.7KVA
INPUT PLUG:	IEC 60309 2P+E 6H 16A
INPUT CORD LENGTH:	3M [10']

2. ACCESSORIES:

- POCKET GUIDE
- QTY: (4) M6 X 12 PAN HEAD MACHINE SCREWS
- QTY: (4) M6 CAGED NUT

3. RoHS COMPLIANT

4. VISIT PANDUIT'S ON-LINE CATALOG AT WWW.PANDUIT.COM FOR ADDITIONAL PRODUCT INFORMATION CONTAINED IN THE SPECIFICATION SHEET AS WELL AS A CURRENT LIST OF PRODUCTS APPLICABLE FOR USE WITH THIS PART

5. MAXIMUM ALLOWABLE INPUT POWER = 3.7kW

6. INSTALLATION SHALL COMPLY WITH ALL APPLICABLE NATIONAL, STATE, AND LOCAL CODES

B

B

A

A

PLUG
16 AMP, 250V
2P/3W
IEC 60309,
SPLASHPROOF IP44
3H (S); 3R (W), 6H

EIGHT (8)
RECEPTACLES
16 AMP, 250V
STRAIGHT BLADE
IEC 60320/C19

REV	DATE	BY	CHK	APR	DESCRIPTION	ECN
01A	10/08/2017	WSJ	MIM	EDM	INITIAL RELEASE	P08G10M

WE ASK THAT YOU CHECK FULLY THE DIMENSIONS, NOTES, AND SIGN THE CLIENT SIGNATURE BOX. THE JOB WILL NOT PROGRESS WITHOUT SIGNED APPROVAL. PLEASE DO NOT DELAY IN RETURNING PROOF AS IT WILL AFFECT DELIVERY

SIGN _____
DATE _____
PRINT _____

TITLE: INTELLIGENT SERIES PDU
P08G10M
CUSTOMER DRAWING

ITEM REVISION NAME: _____
DATASHEET FILE NAME: _____

UNLESS OTHERWISE SPECIFIED
DIMENSIONAL TOLERANCE ARE: mm [IN]

Tolerance(mm)
0<4<50 ±0.5
50<4<250 ±1.0
250<4<500 ±1.5
500<4<1000 ±2.5
1000<4<2000 ±4.0

THIRD ANGLE PROJECTION

MATERIAL/COLOR: N/A

DRAWING NUMBER: P08G10M_DC

DRAWN BY: WSJ DATE: 10/08/2017 CHK: SEAN SCALE: NONE

SHT 1 OF 1

SCALE: B

2

1