

Part number

CCMA 2.5



Male crimp contact, CC series, 16 A, turned silver plated, wire cross section 2,5 mm², AWG 14

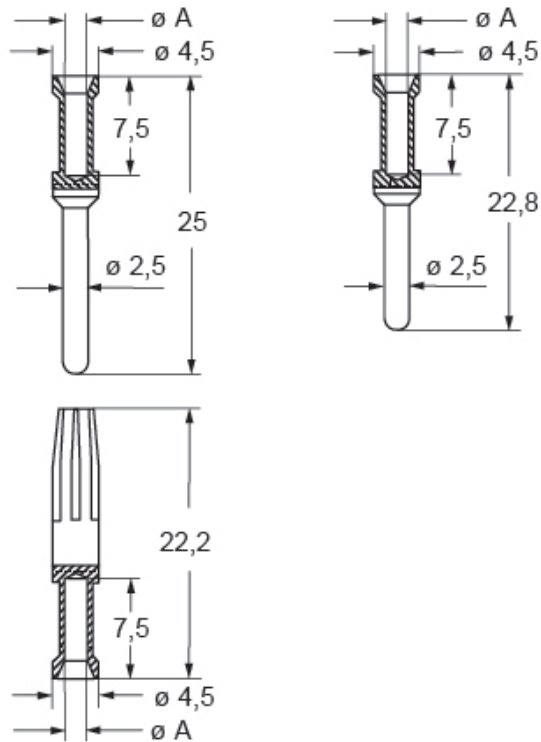
Product description		Approvals / Standards	
Product type	Crimp contact	Certifications	CSA, EAC
Series	CC	UL	ECBT2
Gender	Male	General ordering information	
Technical data		EAN13 code	8015747012393
Current	16 A	eCl@ss 8.1	27440204
Wire cross-section	2,50 mm ²	ETIM 7.0	EC000796
AWG size	14	Packaging Information	
Contact type	Turned silver plated	Packaging length	112,00 mm
Further technical details		Packaging height	95,00 mm
Weight	1,40 g	Packaging width	117,00 mm
Conductors stripping length	7,5 mm	Packaging weight	1,27 kg
		Packaging volume	1,24 dm ³
		Packaging description	Carton box
		Packaging quantity	800 Pcs
		Packaging EAN code	8015747103923
		Sub-packaging length	50,00 mm
		Sub-packaging height	44,00 mm
		Sub-packaging width	50,00 mm
		Sub-packaging weight	0,16 kg
		Sub-packaging volume	0,11 dm ³
		Sub-packaging description	Plastic box
		Sub-packaging quantity	100 Pcs
		Sub-packaging EAN barcode	8015747012409

Part number

CCMA 2.5



Catalogue drawings



CCF, CCM and CC..AN contacts

conductor section mm ²	conductor slot $\varnothing A$ (mm)	conductors stripping length (mm)
0,14-0,37	0,9	7,5
0,5	1,1	7,5
0,75	1,3	7,5
1,0	1,45	7,5
1,5	1,8	7,5
2,5	2,2	7,5
3	2,55	7,5
4	2,85	7,5

Notes

Dimensions shown in mm are not binding and may be changed without notice.

California Proposition 65 Information



WARNING

This product can expose you to lead and its compounds, known to the State of California to cause cancer and/or reproductive toxicity. For more information go to www.P65Warnings.ca.gov.
