

1

SPECTRA B300SND

Sounder
 100 db(a) Output Sounder
 3 Tones selectable
 IP Rating: IP65
 Temp: -25°C to +50°C
 Unit weight: 245g CE

Dimensions : Ø100 x 103mm
 1.5mm² terminals
 Cable entry: 1 x 5-7mm push through
 grommet
 1 x M20 cable entry (IP65)

Order code Voltage Current
 B300SND030G 10-30V DC/AC 24mA (24V dc)
 B300SND230G 40-230V DC/AC 15mA (48V ac 50Hz)

Multi-unit connection possible using connector supplied
 B450 and B350 units are interconnectable

Tel : +44 (0)20 8743 8880 Fax : +44 (0)20 8740 4200
 email : sales@e2s.com web : www.e2s.com



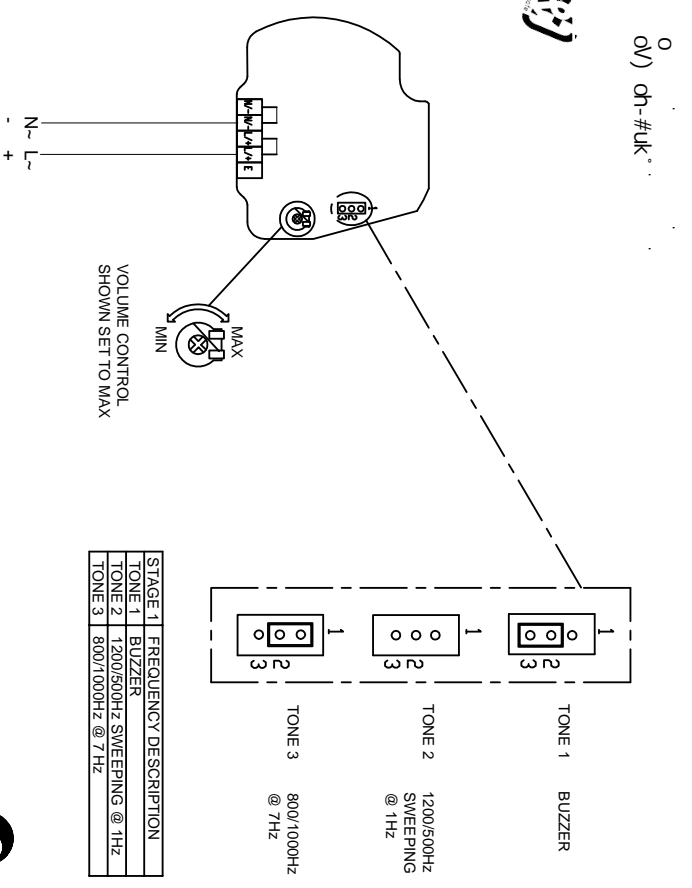
2

ATTENTION: Installation must be carried out by an electrician in compliance with the latest codes and regulations.

ATTENTION: Disconnect from power source before installation or service to prevent electric shock.

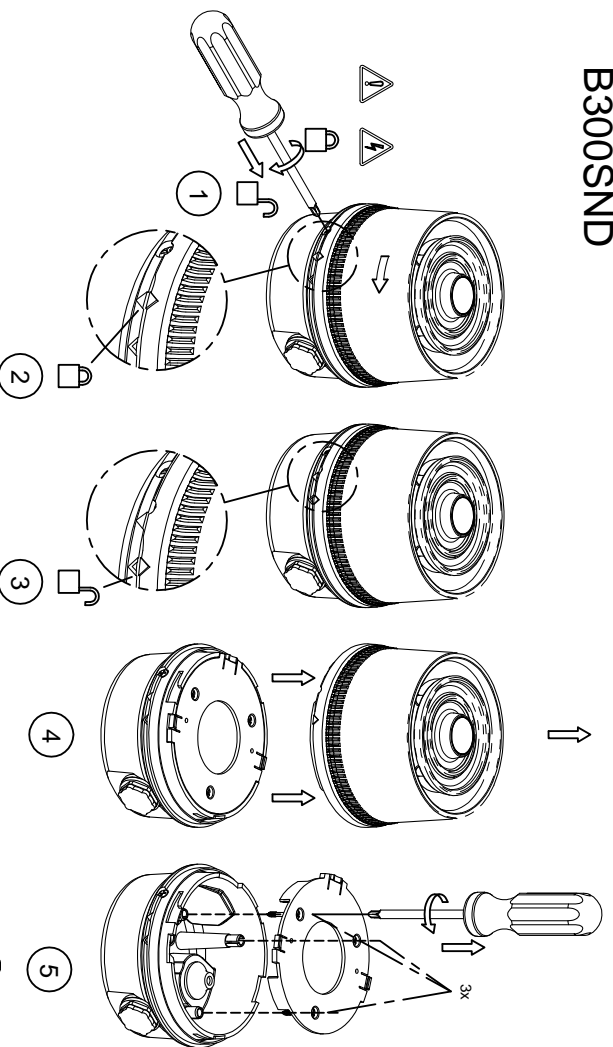


3



A SPECIIRA

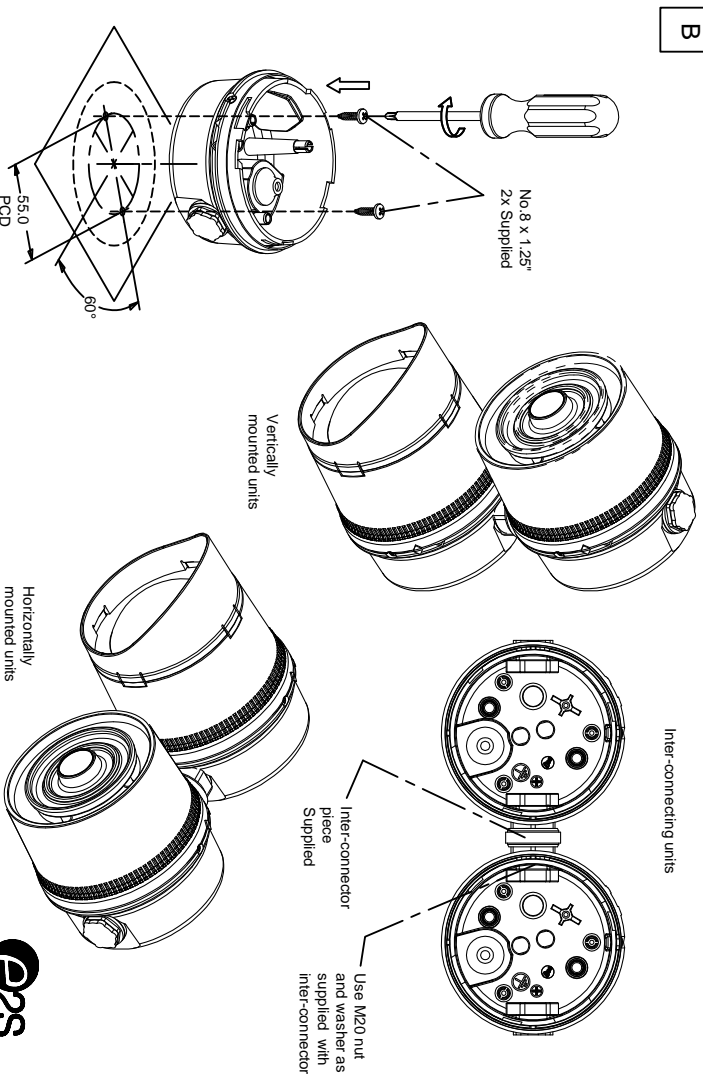
B300SND



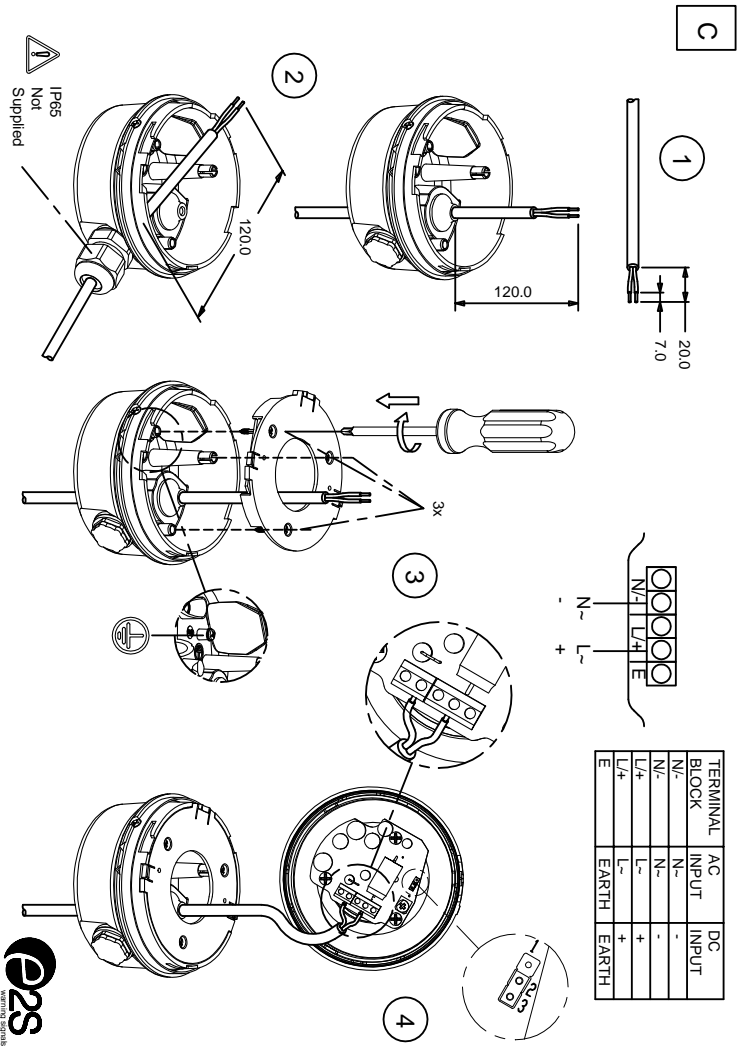
Tel : +44 (0)20 8743 8880 Fax : +44 (0)20 8740 4200
 mail : sales@e2s.com web : www.e2s.com



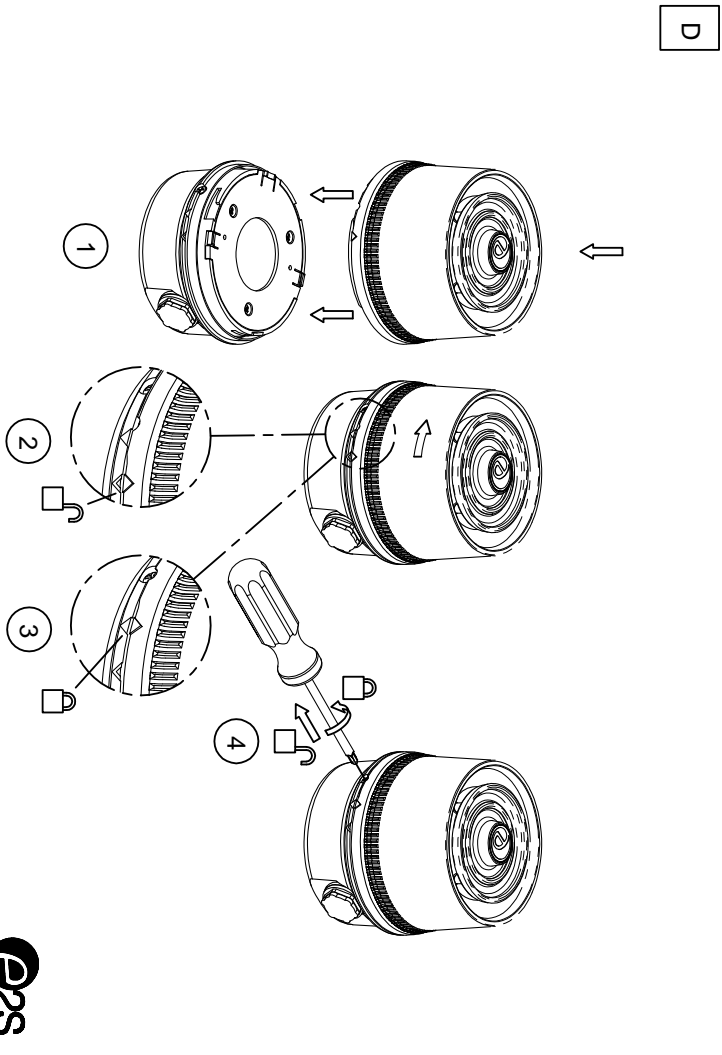
B



C



D



Dimensions in mm



D119-00-001-1S-SHTZ-1SSUE-A