

TOSHIBA

Leading Innovation >>>

AIR CONDITIONER (2-way Cassette type)

Installation manual

Super Long Life Filter

Model name:

TCB-LF283UW-E

TCB-LF803UW-E

TCB-LF1403UW-E

- To use the Super Long Life Filter, install the Filter Chamber (TCB-FC283UW-E, FC803UW-E, or FC1403UW-E: sold separately).
- The air filters on the ceiling panel cannot be used with the Super Long Life Filter.

- Pour utiliser le Filtre à durée de vie super longue, installez la Chambre de filtration (TCB-FC283UW-E, FC803UW-E ou FC1403UW-E: vendue séparément).
- Les filtres à air sur le panneau pour plafond ne peuvent pas être utilisés avec le Filtre à durée de vie super longue.

- Zur Verwendung des Super Long Life Filter installieren Sie die Filterkammer (TCB-FC283UW-E, FC803UW-E oder FC1403UW-E: getrennt erhältlich).
- Die Luftfilter an der Deckenblende können nicht mit dem Super Long Life Filter verwendet werden.

- Per usare il filtro di durata super-lunga è innanzi tutto necessario installare la camera del filtro (TCB-FC283UW-E, FC803UW-E o FC1403UW-E: da acquistare a parte).
- I filtri dell'aria del pannello a soffitto non possono essere usati insieme al filtro di durata super-lunga.

- Para utilizar el filtro de muy larga duración, instale la cámara de filtro (TCB-FC283UW-E, FC803UW-E, o FC1403UW-E: vendido por separado).
- Los filtros de aire del panel del techo no se pueden utilizar con el filtro de muy larga duración.



Installation manual	1	English
Manuel d'installation	6	Français
Installationshandbuch	11	Deutsch
Manuale d'installazione	16	Italiano
Manual de instalación	21	Español

[For installers]



- Thank you for purchasing the Super Long Life Filter for TOSHIBA air conditioner.
- Read this manual carefully for correct installation of the Super Long Life Filter before starting work.
- After the installation is completed, perform a test run to confirm normal operation.
- Ask the customer to keep this manual with the Installation Manual of the indoor unit.

Contents

1	Precautions for Safety	1
2	Accessory Parts	2
3	Specifications	2
4	Installation	3
5	Changing the SET DATA (Wired remote controller)	5

1 Precautions for Safety

- Before using this product, read "Precautions for safety" thoroughly for proper use.
- Cautions described here are important matters concerning safety. Be sure to observe them. Indications and their meanings are described below.

Indication	Meaning of Indication
 WARNING	Text set off in this manner indicates that failure to adhere to the directions in the warning could result in serious bodily harm (*1) or loss of life if the product is handled improperly.
 CAUTION	Text set off in this manner indicates that failure to adhere to the directions in the caution could result in serious bodily injury (*2) or damage (*3) to property if the product is handled improperly.

*1: Serious bodily harm indicates loss of eyesight, injury, burns, electric shock, bone fracture, poisoning, and other injuries which leave aftereffect and require hospitalization or long-term treatment as an outpatient.

*2: Bodily injury indicates injury, burns, electric shock, and other injuries which do not require hospitalization or long-term treatment as an outpatient.

*3: Damage to property indicates damage extending to buildings, household effects, domestic livestock, and pets.

WARNING

- **Do not leave the plastic bag for storing the filter within the reach of small children.**
If a person's whole head is covered with the plastic bag, suffocation and death may result.

CAUTION

- **Install the center panel on the ceiling panel securely.**
Incorrect installation may result in the center panel falling, and causing an injury.

2 Accessory Parts

(The parts in the table below are included.)

No.	Part name	Shape	Quantity		
			TCB-LF283UW-E	TCB-LF803UW-E	TCB-LF1403UW-E
1	Bracket A		1	1	1
2	Bracket B		1	1	1
3	Bracket C		1	2	2
4	Bracket D		1	2	2
5	Bracket E		—	2	2
6	Bracket F		—	2	2
7	Closing plate		—	1	1
8	Sealing material		4	4	4
9	Sealing material		—	2	2
10	Sealing material		1	1	1
11	Heat insulator		2	4	4
12	Decorative screw		2	4	4
13	Screw		4	12	12
14	Installation Manual (this manual)		1	1	1

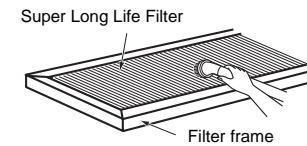
3 Specifications

Super Long Life Filter			
Dust collection efficiency	50% (Gravimetric method)		
Model name of the filter	TCB-LF283UW-E	TCB-LF803UW-E	TCB-LF1403UW-E
Operation hours	10,000 hours		
Dimensions (mm) (H x W x L)	A: 30 × 306 × 769	A: 30 × 306 × 769 B: 30 × 306 × 349	A: 30 × 306 × 769
No. of filters for use	A: 1	A: 1 B: 1	A: 2
Remarks	Indoor unit: AP007 to AP015	Indoor unit: AP018 to AP030	Indoor unit: AP036 to AP056

■ Cleaning the filter

- When the filter is clogged with dust, remove the dust using a vacuum cleaner, then wash the filter in water. (Do not remove the filter from the filter frame.)
- Do not scrub the surface of the filter when washing it.
- If the filter is badly clogged, wash the filter in water with a neutral detergent (standard density), then wash it in clean water until the lather is gone.
- Use the filter after it has completely dried.

▼ Figure 1



4 Installation

REQUIREMENT

Wear protective clothing to avoid getting cut by the edges of the filter frame or brackets.

■ Preparation for installation

- To use the Super Long Life Filter, it is necessary to install the Filter Chamber (sold separately).
- To use the Super Long Life Filter, it is necessary to change SET DATA.

* Changing SET DATA

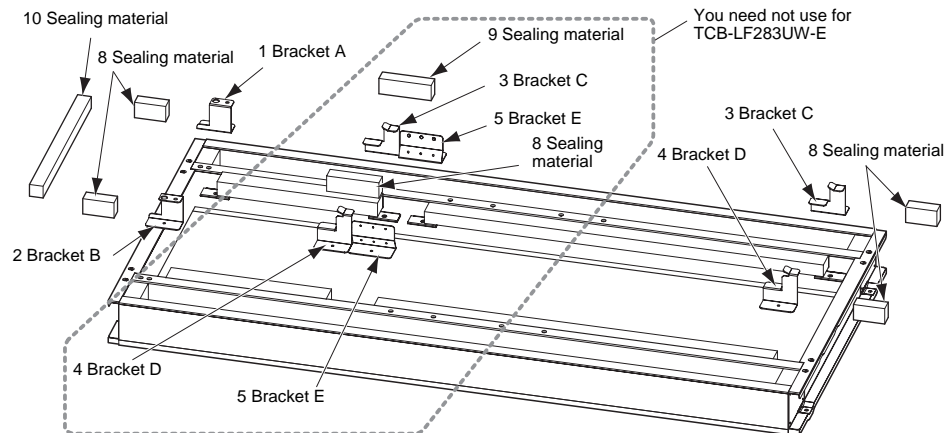
For details, refer to the Installation Manual of the 2-way cassette type (indoor unit).

■ Preparation for installing the Filter Chamber

◆ Attach the brackets and sealing materials. (Figure 2)

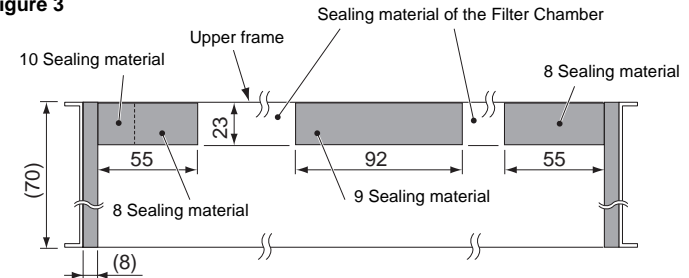
- Use the screws (13) to attach the supplied brackets to the Super Long Life Filter according to the Figure 2.

▼ Figure 2



- Attach the sealing materials (8 and 9) to cover the gap according to Figure 3. Remove the release paper of the sealing material (10) to attach it to the side.

▼ Figure 3



- Attach all the sealing materials to the upper frame of the Filter Chamber.

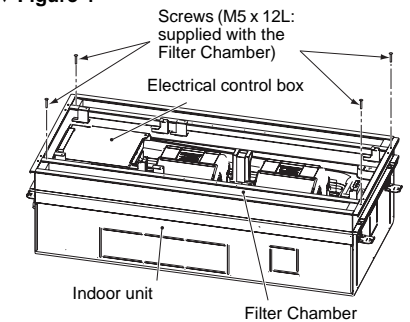
NOTE

Attach bracket F after installing the panel. If you attach bracket F during this step, you cannot install the panel.

■ Installing the Filter Chamber

Put the indoor unit on the floor, fit brackets A and B fixed to the Filter Chamber over the electrical control box, then fix the Filter Chamber using screws (M5 x12L: accessory). (Figure 4)

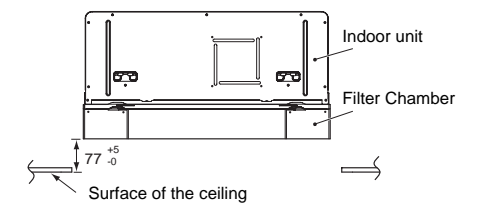
▼ Figure 4



■ Installing the indoor unit

Install the indoor unit on the ceiling. (Refer to the Installation Manual of the indoor unit.) (Figure 5)

▼ Figure 5

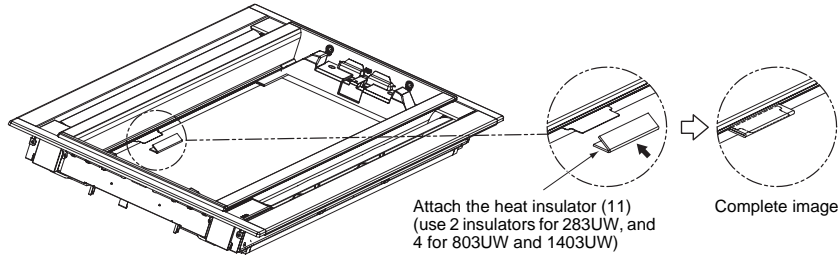


■ Preparing to install the ceiling panel

Remove the center panel and air filter referring to the Installation Manual of the ceiling panel. (The removed air filter is not for use.)

Attaching the heat insulator

▼ Figure 6



■ Installing the ceiling panel

1 Fit the temporary hanging hooks on the ceiling panel over the hangers on the sides of the indoor unit. (Figure 7)

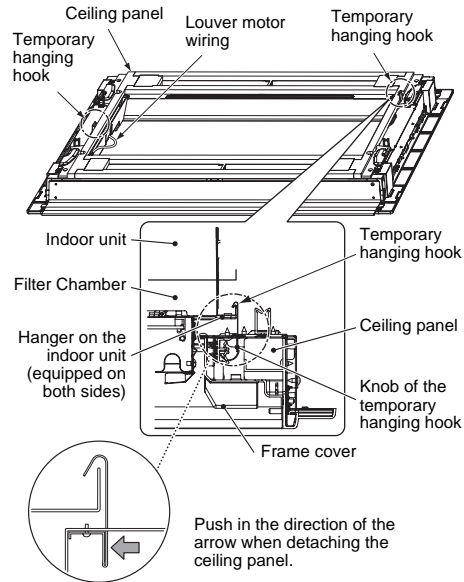
When fitting, align the louver motor wire end of the ceiling panel with the electrical control box end of the indoor unit. (Figure 7)

2 Confirm that the temporary hanging hooks on both sides of the ceiling panel are fitted to the Filter Chamber securely and release your hands from the panel.

NOTE

When detaching the ceiling panel, detach the frame covers of the ceiling panel first and lift up the ceiling panel, then lower the panel slowly, pushing the knobs of the temporary hanging hooks in the direction of the arrow shown in Figure 7.

▼ Figure 7

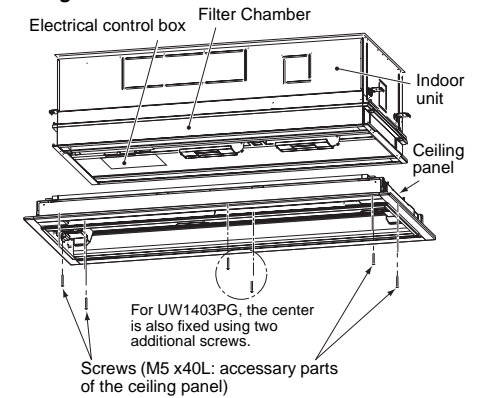


3 Confirm that the screw holes on the ceiling panel and the indoor unit are aligned and fix the panel to the indoor unit with the supplied screws (M5 x 40mm: 4 screws for UW283PG and UW803PG, 6 screws for UW1403PG). (Figure 8)

NOTE

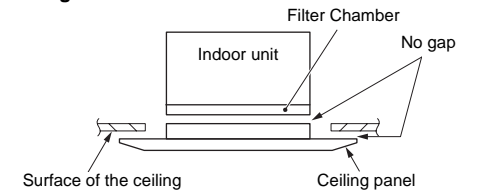
- Make sure that none of the wiring is pinched before fixing the screws.
- The screws are taped to the foamed polystyrene packaging of the ceiling panel.

▼ Figure 8



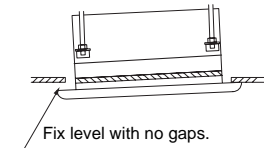
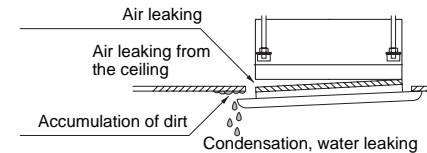
4 Confirm that there are no gaps between the indoor unit and the Filter Chamber, between the Filter Chamber and the ceiling panel, or between the ceiling panel and the surface of the ceiling. (Figure 9)

▼ Figure 9



⚠ CAUTION

- Tighten the screws enough to prevent the problems shown in the illustration below.
- Adjust the height of the indoor unit if gaps remain between the ceiling and the ceiling panel after tightening the screws.



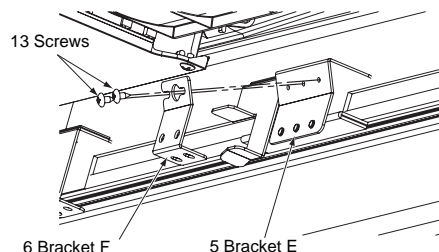
■ Attaching bracket F

Fix bracket F (6) onto bracket E (5) using 2 screws (13). (Figure 10)

NOTE

- You need not attach bracket F for TCB-LF283UW.

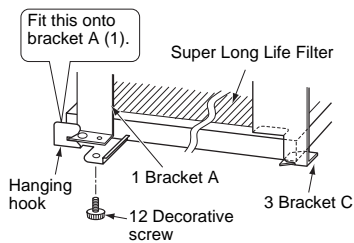
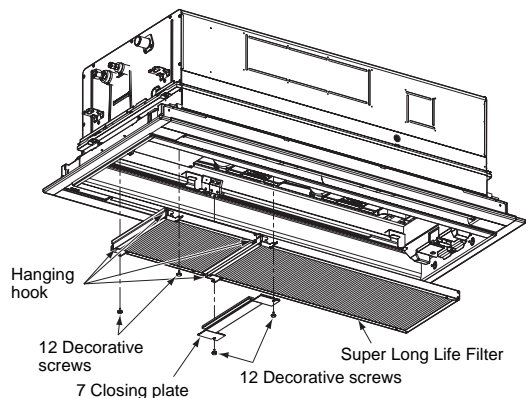
▼ Figure 10



■ Attaching the Super Long Life Filter

- 1 Turn the hanging hook of the Super Long Life Filter to the side of the electrical control box.
- 2 Fit the opposite side of the hanging hook onto brackets C and D, then slide the Super Long Life Filter to the right.
- 3 When the hanging hooks have been fitted onto brackets A, B, and F, fix the Super Long Life Filter using the decorative screws (12).
In addition, attach the closing plate (7) to bracket F using the decorative screws (12).

▼ Figure 11



NOTE

- You need not attach the closing plate for TCB-LF283UW.
- Attach the Super Long Life Filter after the panel has been installed.

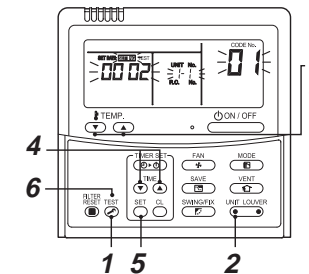
The decorative screws (12) are used to prevent the filter from falling off. Tighten them firmly.

■ Attaching the center panel

Attach the center panel referring to the Installation Manual of the center panel.

5 Changing the SET DATA (Wired remote controller)

- Change the SET DATA when using the Super Long Life Filter
- Before you change the SET DATA, be sure to stop the air conditioner.



■ How to change the setting data

For details, refer to the Installation Manual of the 2-way cassette type (indoor unit).

Step	Operation
1	Push and hold the TEST button and the TEMP. button simultaneously for about 4 seconds. The display will start flashing. Make sure that [01] is displayed. • If any code other than [01] is displayed, push the TEST button to cancel the procedure and start again. (Operation from the remote controller is invalid for a while after you push the TEST button.) (During group control, [ALL] is displayed first. The unit number displayed next is that of the header unit.)
2	Each time you push the UNIT LOUVER button, the unit numbers of the indoor units in the group are displayed one by one. Select a unit to change its SET DATA. When you select a unit, the fan and the louver of the selected unit start operating to show which unit is selected.
3	Use the TEMP. buttons to select [5d].
4	Use the TIME buttons to select [0001].
5	Push the SET button. The setting procedure is completed when the display stops flashing and stays lit. • Repeat the procedure from step 2 to change the SET DATA of another unit. If you push the SET button, all changes made to the SET DATA are cleared. Redo the procedure from step 2.
6	When the setting is completed, push the TEST button. (Setting is fixed.) When you push the TEST button, the [SETTING] indicator flashes, then it goes off and the unit returns to normal operation. (Operation from the remote controller is invalid while the [SETTING] indicator is flashing.)

TOSHIBA CARRIER CORPORATION

336 TADEHARA, FUJI-SHI, SHIZUOKA-KEN 416-8521 JAPAN