



Product designation	Micro PLC - Base module
Product type designation	LRD12RD024
Auxiliary supply voltage	24VDC
Number of inputs	Nr. 6 digital + 2 digital/analog
Number of outputs	Nr. 4 relay 12 (8 inputs + 4 outputs) up to 36 with LRE modules
Max I/O number	

**Power supply**

Rated auxil. supply voltage	24VDC
Operating voltage range	20.4...28.8VDC
Average current consumption	mA 125
Power consumption Max	W 4.5

**Digital inputs**

Number of digital input	Nr. 6 + 2 digital/analog
Rated voltage	V 24VDC
Input signals	State 0 (OFF) <5VDC State 1 (ON) >15VDC

Response time	0 to 1 (OFF-ON) 4ms (0.5ms for high speed) 1 to 0 (ON-OFF) 4ms (0.3ms for high speed)
---------------	--

**Analog inputs**

Number of analog input	Nr. 2 digital/analog
Analog input type	Voltage inputs
Inputs signal range	V 0...10
Resolution	0.01V
Bit of conversion	bit 10

Current consumption at	10VDC	mA	<0.17mA
Input impedance		kΩ	>40
Admissible overload		VDC	28

Sampling time	ms	5...20ms(LADDER), 2...10ms (FBD)
---------------	----	-------------------------------------

Maximum cable length	m / ft	≤30m/98ft (shielded wire)
----------------------	--------	---------------------------

**Digital outputs**

Number of digital output type	Nr. 4	Relay
-------------------------------	-------	-------

**System resources**

Display	LCD display, 4 lines x 16 characters
---------	--------------------------------------

**Connections**

Terminals type	Screw
----------------	-------

Tightening torque for terminals	max	Nm	0.6
	Max	lbft	0.4

Conductor section	AWG/Kcmil	min	26
		max	14

IEC	min	mm <sup>2</sup>	0.14
	max	mm <sup>2</sup>	2.5

**Ambient conditions**

Temperature	Operating temperature	min	°C	-20
		max	°C	+55

Storage temperature	min	°C	-40
	max	°C	+70

Relative humidity	%	20...90% without condensation
-------------------	---	-------------------------------

**Housing**

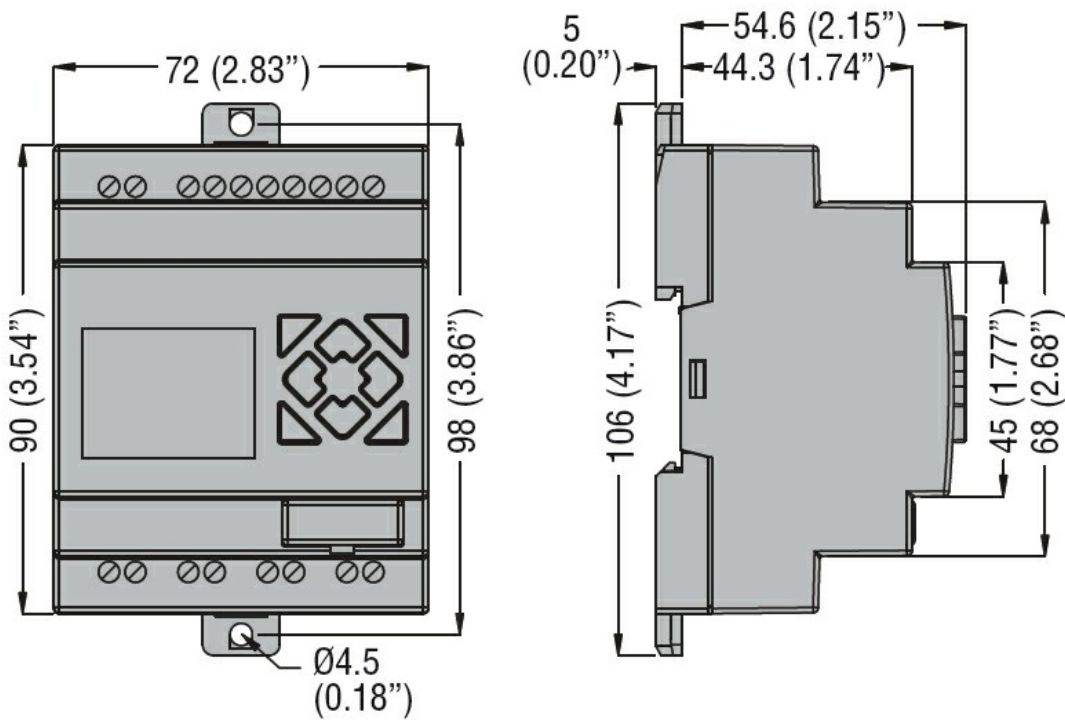
Mounting	35mm DIN rail or screw fixing (M4x20mm)
----------	---

Degree of protection	IP20
----------------------	------

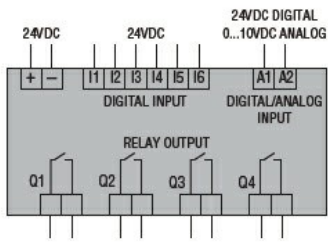
Dimensions (W x H x D)	mm	72 x 106 x 59.6
------------------------	----	-----------------

Weight	g	241
--------	---	-----

**Dimensions**



Wiring diagrams



Certifications and compliance

Compliance

CSA C22.2 n° 142

IEC/EN 61131-2

UL508

Certificates

cULus

EAC

ETIM classification

ETIM 8.0

EC001417 -  
Logic module