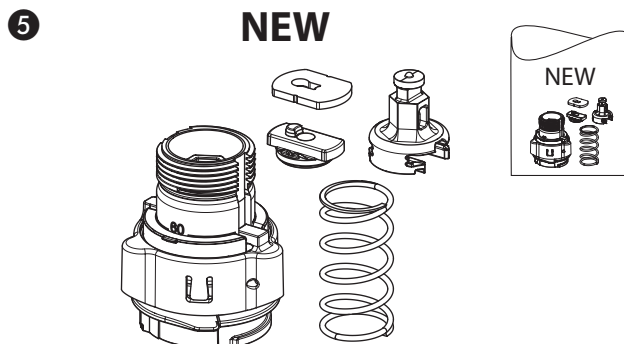
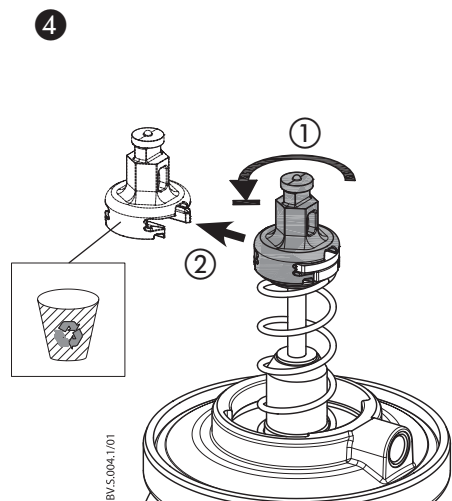
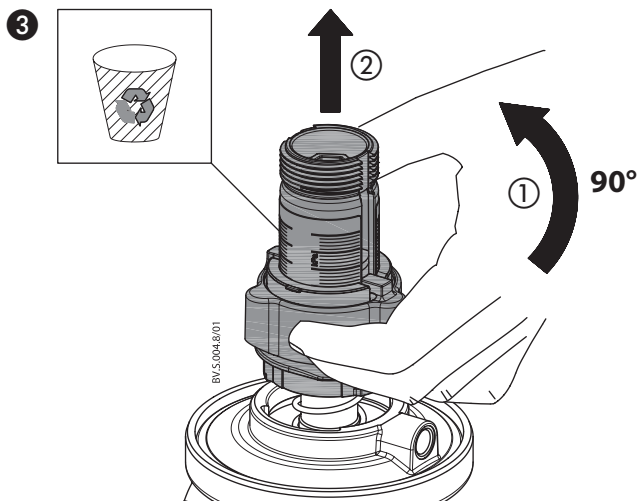
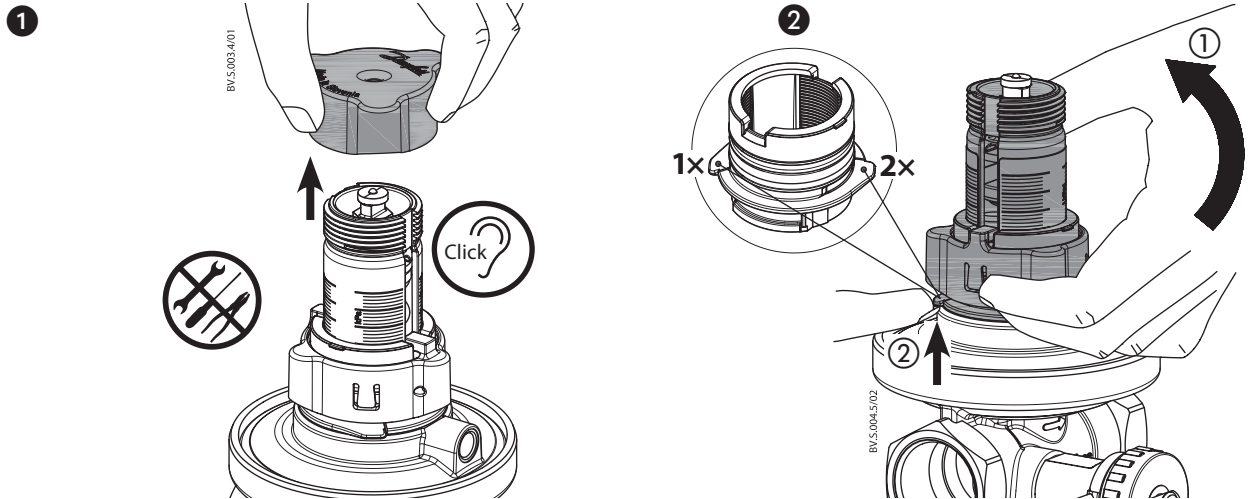


Installation Guide

# ASV-PV / DN 15-25 service kit 5-25 / 20-60 kPa

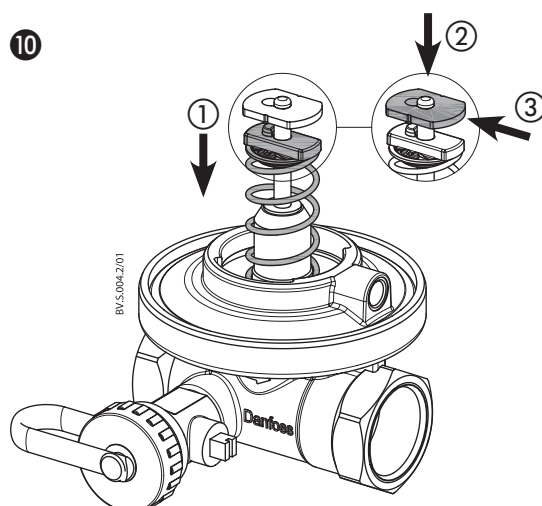
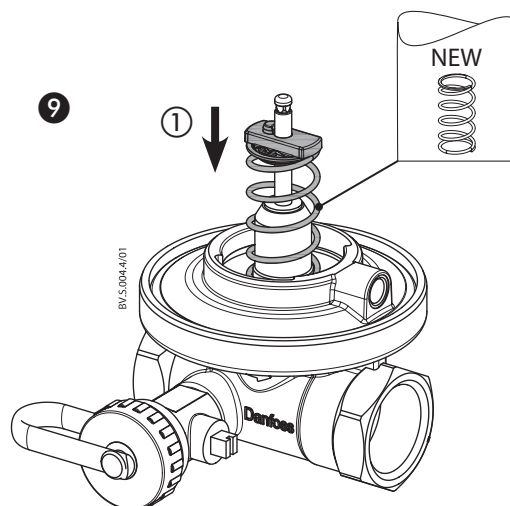
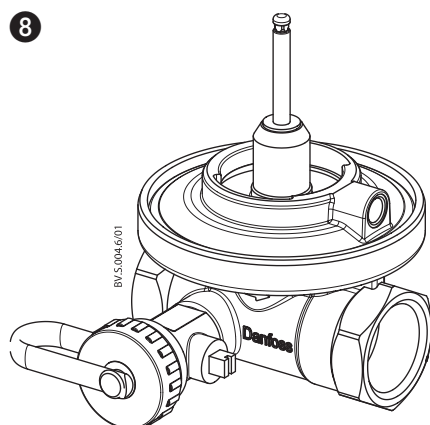
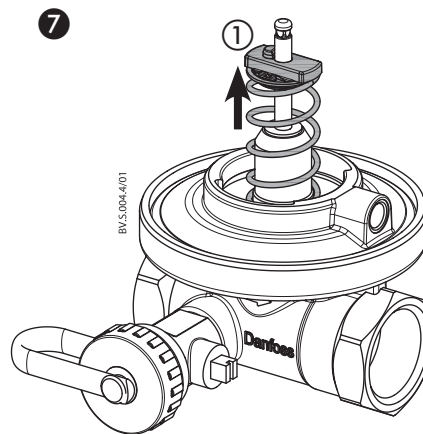
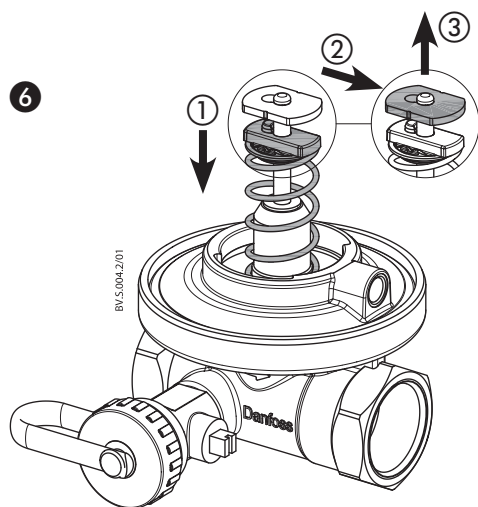


## ASV-PV / DN 15-25 service kit

### Spring replacement

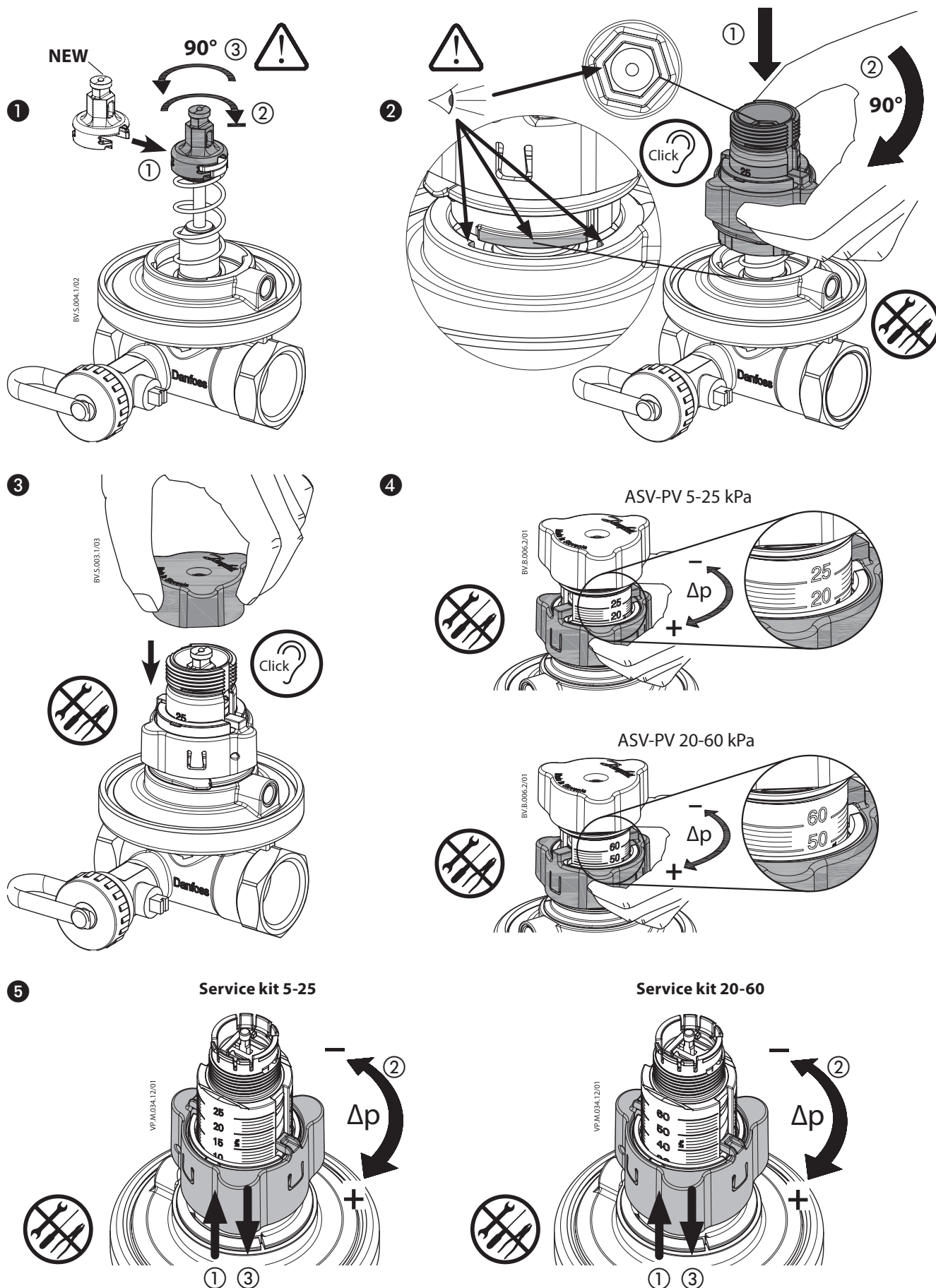
ASV-PV 5-25 kPa > ASV-PV 20-60 kPa

ASV-PV 20-60 kPa > ASV-PV 5-25 kPa



ASV-PV / DN 15-25 service kit

Setting scale replacement





**ASV-PV / DN 15-25 service kit**

---