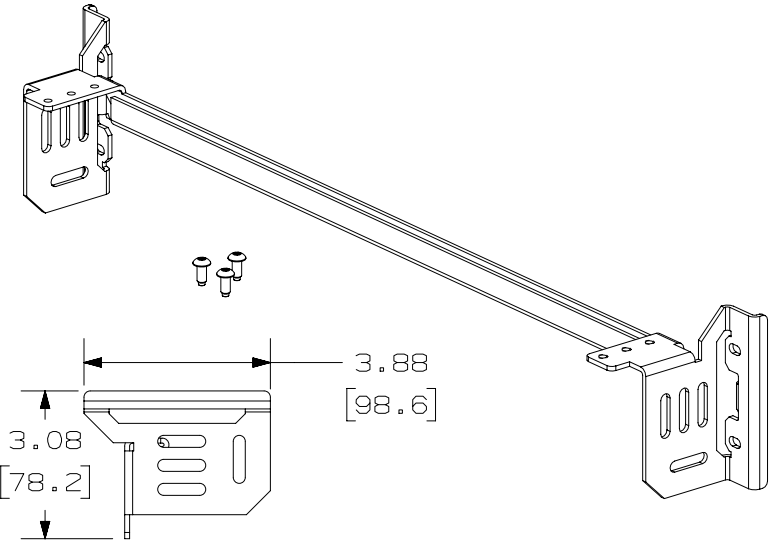
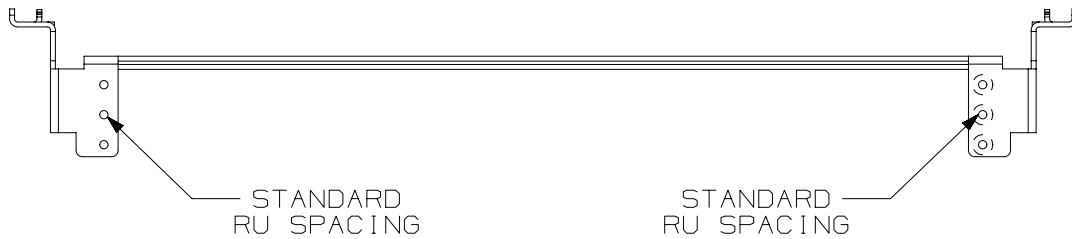
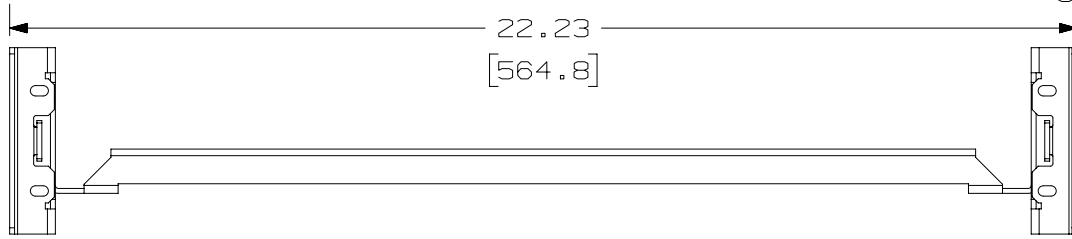
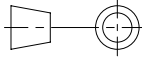



THIS COPY IS PROVIDED ON A RESTRICTED BASIS AND IS NOT TO BE USED IN ANY WAY DETRIMENTAL TO THE INTERESTS OF PANDUIT CORP.

NOTES:

1. VISIT OUR ON-LINE CATALOG AT WWW.PANDUIT.COM FOR A LIST OF CURRENT PARTS APPLICABLE FOR USE WITH THIS PRODUCT.
2. DIMENSIONS IN [ ] ARE METRIC.
3. ALL MATERIALS AND COMPONENTS USED MEET THE MATERIAL RESTRICTIONS OF RoHS (EUROPEAN DIRECTIVE 2011/65/EU ON THE RESTRICTION OF HAZARDOUS SUBSTANCES) AS PROPOSED BY THE RoHS TECHNICAL ADAPTATION COMMITTEE.
4. WEIGHT: 1.4 LB [0.64 kg]
5. PART INCLUDES:  
 1- BONUS RU BRACKET  
 3- M5 X 12mm BUTTON HEAD SCREWS



PART NUMBER		WME31RU										
TITLE		WME3 BONUS RU BRACKET										
		CUSTOMER DRAWING										
ITEM REVISION NAME		00490EAF/00										
DATASET FILE NAME		00490EAF_DC/00A										
 THIRD ANGLE PROJECTION												
MATERIAL					STEEL							
		DRAWING NUMBER										
		00490EAF - DC										
REV	DATE	BY	CHK	APR	DESCRIPTION	ECN	DRAWN BY	DATE	CHK	SCALE	SHEET 1 OF 1	SIZE
00A	5-19-20	TWV	KZU	BETL	RELEASED TO PRODUCTION	M09000L0	TWV	5-19-20	KZU	1:4		A

A-SIZE CUSTOMER

2

1

2

1