



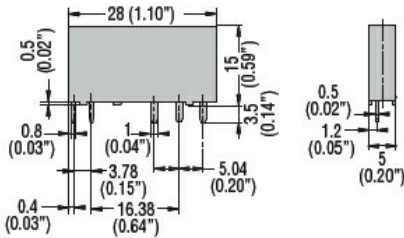
Product designation	SLIM RELAY		
Product type designation	HR101C		
<b>Contact characteristics</b>			
Contact configuration	1 C/O		
Rated insulation voltage $U_i$ IEC/EN	V	250	
Rated impulse withstand voltage $U_{imp}$	kV	4	
IEC Conventional free air thermal current $I_{th}$	A	6	
Maximum instantaneous current	A	20 (500ms)	
Rated current ( $I_n$ )	A	6	
Relay control voltage	V	60VDC; 110...240VAC/DC	
UL/CSA and IEC/EN 60947-5-1 designation	B300 – R300		
UL rating	6A 277VAC; 6A 30VDC		
Max contrrollable power in			
	AC-1	W	1500
	AC-15	VA	360
Rated operating power AC-1		VA	1500
Rated operating power AC-15	230 VAC	VA	360
Single-phase motor control	230VAC	kW	0.186
Rated operating current DC-1			
	30V	A	6
	110V	A	0.2
	220V	A	0.12
Minimum switching load		V / mA	5 / 100
Contact impedance		m $\Omega$	100
Contact material	Ag/Ni		
<b>Operating times</b>			
Closing		ms	≤8
Opening		ms	≤4
<b>Operations</b>			
Mechanical life		cycles	10000000
Electrical life AC1		cycles	30000
<b>Coil characteristics</b>			
Average coil consumption DC at 20°C		W	0.2
Operating range			
	Closing	% $U_n$	≥75
	Opening	% $U_n$	≥5
Maximum cycle frequency		cycles/h	10000
<b>Mechanical features</b>			
Max socket terminal tightening torque		Nm	0.5
Socket screw tightening tool (cross / flat blade)	PH0 / 3.5mm		

Conductor section	AWG/Kcmil	min	20	
		max	16	
Operating position	IEC	min	mm <sup>2</sup>	0.5
		max	mm <sup>2</sup>	1.5
Fixing	normal	Any		
		On 35mm DIN rail		

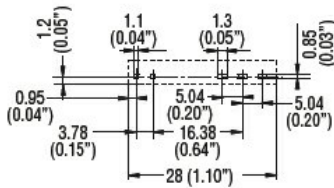
<b>Ambient conditions</b>				
Temperature	Operating temperature	min	°C	-40
		max	°C	+70
Storage temperature	Storage temperature	min	°C	-40
		max	°C	+80

<b>Other features</b>	
Indication	Yes (on the socket)
Mechanical contact position indicator	No
Mechanical test actuator	No

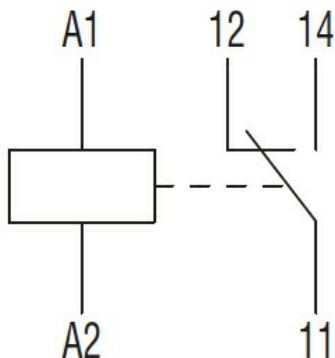
**Dimensions**



PCB layout



**Wiring diagrams**



**Certifications and compliance**

Compliance

IEC/EN 61810

Certificates

CSA

cURus

EAC

VDE

ETIM classification

ETIM 8.0

EC001437 -  
Switching relay