

PART No. MATRIX

E 6 6 E 0 6 0 2 1 M X X X X

E=ETHERNET/
Ethernet

HEADS:
6 = RJ45

HEADS STYLE:
060 = MALE STR / MALE STR

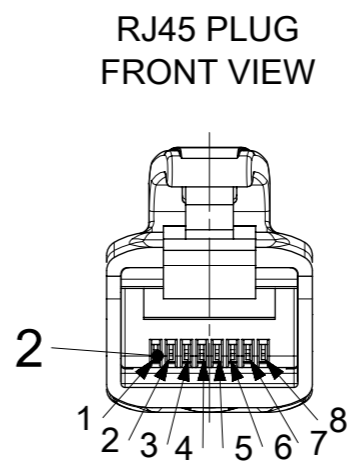
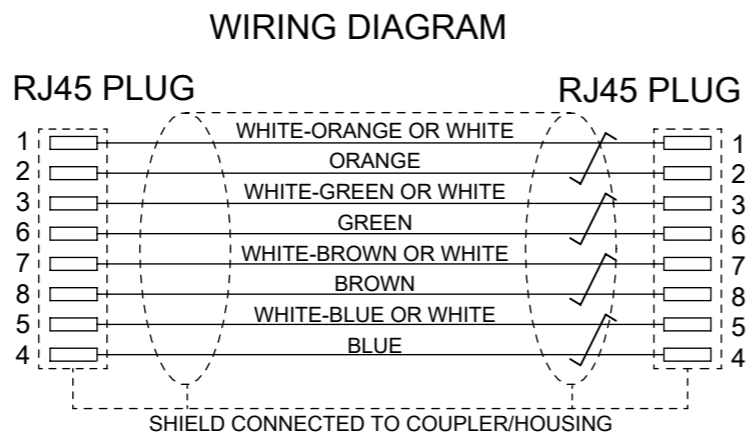
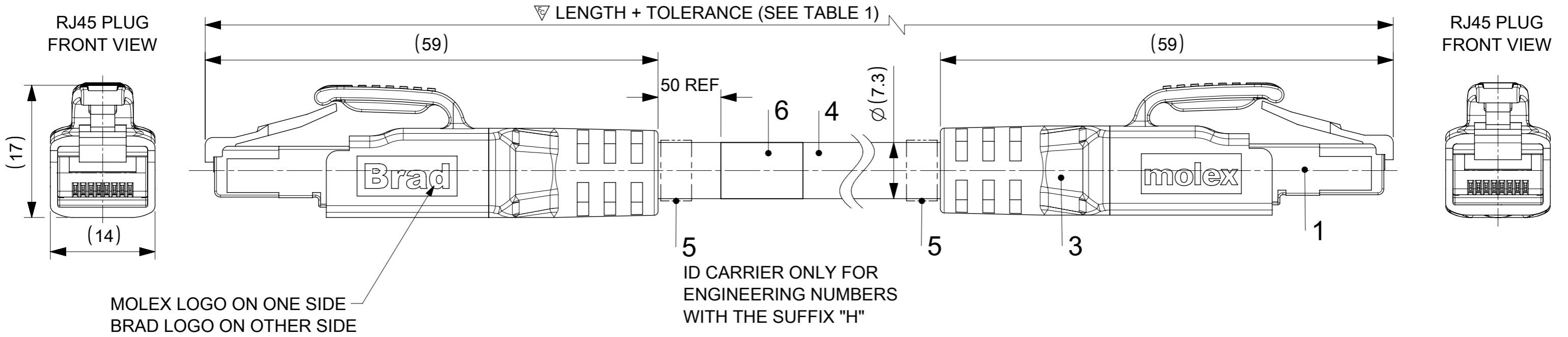
CABLE TYPE:
CABLE 21

UNITS:
M= METER
T= 10xMETER

LENGTH EXAMPLES:
005=0.5 m
010=1 m
150=15 m
T100=100 m

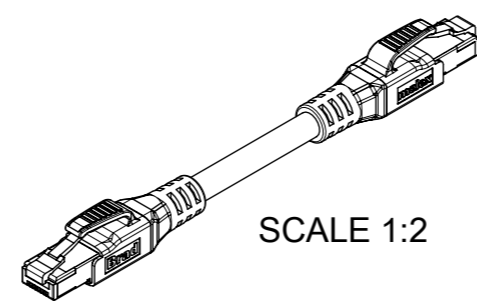
H= 2 PCS. OF I/D Carrier

WIRING TYPE:
E=8 Pole (STRAIGHT WIRED)



BILL OF MATERIAL

ITEM	QTY	DESCRIPTION	MATERIAL	FINISH/COLOR
1	2	PLUG RJ45 PLUG	-	-
2	16	CONTACT RJ45	PHOSPHOR BRONZE	SELECTIVE Au PLATING
3	-	OVERMOLD	TPU	BLACK
4	1	CABLE 4X(2X AWG26/7) CAT 7	TPE	GREEN TEAL SIMILAR RAL6026
5	SEE PN MATRIX	ID CARRIER	PVC	TRANSPARENT
6	1	LABEL 2.0X1.75	VINYL	YELLOW



FUNCTIONAL SYMBOLS		THIS DRAWING CONTAINS INFORMATION THAT IS PROPRIETARY TO MOLEX ELECTRONIC TECHNOLOGIES, LLC AND SHOULD NOT BE USED WITHOUT WRITTEN PERMISSION		CURRENT REV DESC: CABLE COLOR UPDATED			
DIMENSION UNITS		SCALE		EC NO: 780754			
mm		2:1		DRWN: RSCHIEBER		2024/03/20	
GENERAL TOLERANCES (UNLESS SPECIFIED)		ANGULAR TOL ± 1.0°		CHK'D: RSILLER		2024/03/21	
4 PLACES ±		3 PLACES ±		APPR: RSILLER		2024/03/21	
2 PLACES ± 0.05		1 PLACE ± 0.3		INITIAL REVISION:		DOCUMENT NUMBER	
0 PLACES ± 0.5		DRAFT WHERE APPLICABLE MUST REMAIN WITHIN DIMENSIONS		DRWN: MDHARMANTI		2019/11/25	
THIRD ANGLE PROJECTION		DRAWING		SERIES		MATERIAL NUMBER	
A3-SIZE		120341		SEE TABLE 1		CUSTOMER	
PSD		000		A5		SHEET NUMBER	
GENERAL MARKET		1 OF 2					

TABLE 1

MOLEX P/N	ENGINEERING NO.	DESCRIPTION	LENGTH (mm)
1203410924	E66E06021M002	RJ45 CAT6A ST/ST TPE GREEN TEAL SIMILAR RAL6026 0.2M	200
1203410925	E66E06021M005	RJ45 CAT6A ST/ST TPE GREEN TEAL SIMILAR RAL6026 0.5M	500
1203410911	E66E06021M010	RJ45 CAT6A ST/ST TPE GREEN TEAL SIMILAR RAL6026 1M	1000
1203410926	E66E06021M020	RJ45 CAT6A ST/ST TPE GREEN TEAL SIMILAR RAL6026 2M	2000
1203410927	E66E06021M030	RJ45 CAT6A ST/ST TPE GREEN TEAL SIMILAR RAL6026 3M	3000
1203410928	E66E06021M040	RJ45 CAT6A ST/ST TPE GREEN TEAL SIMILAR RAL6026 4M	4000
1203410929	E66E06021M050	RJ45 CAT6A ST/ST TPE GREEN TEAL SIMILAR RAL6026 5M	5000
1203410930	E66E06021M100	RJ45 CAT6A ST/ST TPE GREEN TEAL SIMILAR RAL6026 10M	10000
1203410931	E66E06021M150	RJ45 CAT6A ST/ST TPE GREEN TEAL SIMILAR RAL6026 15M	15000
1203410932	E66E06021M200	RJ45 CAT6A ST/ST TPE GREEN TEAL SIMILAR RAL6026 20M	20000
1203410933	E66E06021M300	RJ45 CAT6A ST/ST TPE GREEN TEAL SIMILAR RAL6026 30M	30000
1203410912	E66E06021M360	RJ45 CAT6A ST/ST TPE GREEN TEAL SIMILAR RAL6026 36M	36000
WITH ID CARRIER			
1203410995	E66E06021M010H	RJ45 CAT6A ST/ST TPE GREEN TEAL SIMILAR RAL6026 1M ID	1000
1203410996	E66E06021M020H	RJ45 CAT6A ST/ST TPE GREEN TEAL SIMILAR RAL6026 2M ID	2000
1203411006	E66E06021M030H	RJ45 CAT6A ST/ST TPE GREEN TEAL SIMILAR RAL6026 3M ID	3000
1203411014	E66E06021M050H	RJ45 CAT6A ST/ST TPE GREEN TEAL SIMILAR RAL6026 5M ID	5000
1203410997	E66E06021M100H	RJ45 CAT6A ST/ST TPE GREEN TEAL SIMILAR RAL6026 10M ID	10000
1203410998	E66E06021M250H	RJ45 CAT6A ST/ST TPE GREEN TEAL SIMILAR RAL6026 25M ID	25000
1203411051	E66E06021M040H	RJ45 CAT6A ST/ST TPE GREEN TEAL SIMILAR RAL6026 4M ID	4000
1203411052	E66E06021M060H	RJ45 CAT6A ST/ST TPE GREEN TEAL SIMILAR RAL6026 6M ID	6000
1203411053	E66E06021M070H	RJ45 CAT6A ST/ST TPE GREEN TEAL SIMILAR RAL6026 7M ID	7000
1203411054	E66E06021M080H	RJ45 CAT6A ST/ST TPE GREEN TEAL SIMILAR RAL6026 8M ID	8000
1203411055	E66E06021M120H	RJ45 CAT6A ST/ST TPE GREEN TEAL SIMILAR RAL6026 12M ID	12000
1203411056	E66E06021M150H	RJ45 CAT6A ST/ST TPE GREEN TEAL SIMILAR RAL6026 15M ID	15000
1203411057	E66E06021M200H	RJ45 CAT6A ST/ST TPE GREEN TEAL SIMILAR RAL6026 20M ID	20000
1203411058	E66E06021M300H	RJ45 CAT6A ST/ST TPE GREEN TEAL SIMILAR RAL6026 30M ID	30000
1203411059	E66E06021M350H	RJ45 CAT6A ST/ST TPE GREEN TEAL SIMILAR RAL6026 35M ID	35000
1203411060	E66E06021M400H	RJ45 CAT6A ST/ST TPE GREEN TEAL SIMILAR RAL6026 40M ID	40000
1203411061	E66E06021M450H	RJ45 CAT6A ST/ST TPE GREEN TEAL SIMILAR RAL6026 45M ID	45000
1203411062	E66E06021M500H	RJ45 CAT6A ST/ST TPE GREEN TEAL SIMILAR RAL6026 50M ID	50000
1203411063	E66E06021M550H	RJ45 CAT6A ST/ST TPE GREEN TEAL SIMILAR RAL6026 55M ID	55000
1203411064	E66E06021M600H	RJ45 CAT6A ST/ST TPE GREEN TEAL SIMILAR RAL6026 60M ID	60000
1203411065	E66E06021M650H	RJ45 CAT6A ST/ST TPE GREEN TEAL SIMILAR RAL6026 65M ID	65000
1203411066	E66E06021M700H	RJ45 CAT6A ST/ST TPE GREEN TEAL SIMILAR RAL6026 70M ID	70000
1203411067	E66E06021M750H	RJ45 CAT6A ST/ST TPE GREEN TEAL SIMILAR RAL6026 75M ID	75000
1203411068	E66E06021M800H	RJ45 CAT6A ST/ST TPE GREEN TEAL SIMILAR RAL6026 80M ID	80000
1203411069	E66E06021M850H	RJ45 CAT6A ST/ST TPE GREEN TEAL SIMILAR RAL6026 85M ID	85000

NOTES:
 VOLTAGE RATING: 30 V A.C. OR 42 V D.C.
 CURRENT RATING: 0.5 A
 TEMPERATURE RATING:
 STATIC: -40 °C TO 80 °C
 DYNAMIC: -25 °C TO 80 °C
 IP RATING: IP 20
 TRANSMISSION CHARACTERISTICS ACCORDING TO ISO/IEC 11801 CLASS E_A CHANNEL,
 WITH INSERTION LOSS BEING IGNORED FOR CABLE LENGTHS <1 m OR >65 m
 PRODUCT POE++ PERFORMANCED TESTED UP TO 65m LENGTH
 PACKAGING: CORDSETS ARE PACKED IN A POLYBAG

CABLE LENGTH TOLERANCES

LENGTH	TOLERANCE
0 m - 1 m	+40 mm
>1 m - 5 m	+60 mm
>5 m - 10 m	+80 mm
>10 m - 20 m	+140 mm
>20 m - 30 m	+160 mm
>30 m	+1% length

FUNCTIONAL SYMBOLS	THIS DRAWING CONTAINS INFORMATION THAT IS PROPRIETARY TO MOLEX ELECTRONIC TECHNOLOGIES, LLC AND SHOULD NOT BE USED WITHOUT WRITTEN PERMISSION	
	$\nabla_A = 0$ $\nabla_B = 0$ $\nabla_C = 0$	DIMENSION UNITS: mm SCALE: 1:1
DIVISIONAL SYMBOLS	CURRENT REV DESC: CABLE COLOR UPDATED	
	EC NO: 780754 DRWN: RSCHIEBER 2024/03/20 CHK'D: RSILLER 2024/03/21 APPR: RSILLER 2024/03/21	
GENERAL TOLERANCES (UNLESS SPECIFIED) ANGULAR TOL ± 1.0° 4 PLACES ± 3 PLACES ± 2 PLACES ± 0.05 1 PLACE ± 0.3 0 PLACES ± 0.5		INITIAL REVISION: DRWN: MDHARMANTI 2019/11/25 APPR: RSILLER 2021/03/16
DRAFT WHERE APPLICABLE MUST REMAIN WITHIN DIMENSIONS		THIRD ANGLE PROJECTION
DRAWING: A3-SIZE SERIES: 120341		DOCUMENT NUMBER: 1203410911 DOC TYPE: PSD DOC PART: 000 REVISION: A5
MATERIAL NUMBER: SEE TABLE 1 CUSTOMER: GENERAL MARKET		SHEET NUMBER: 2 OF 2