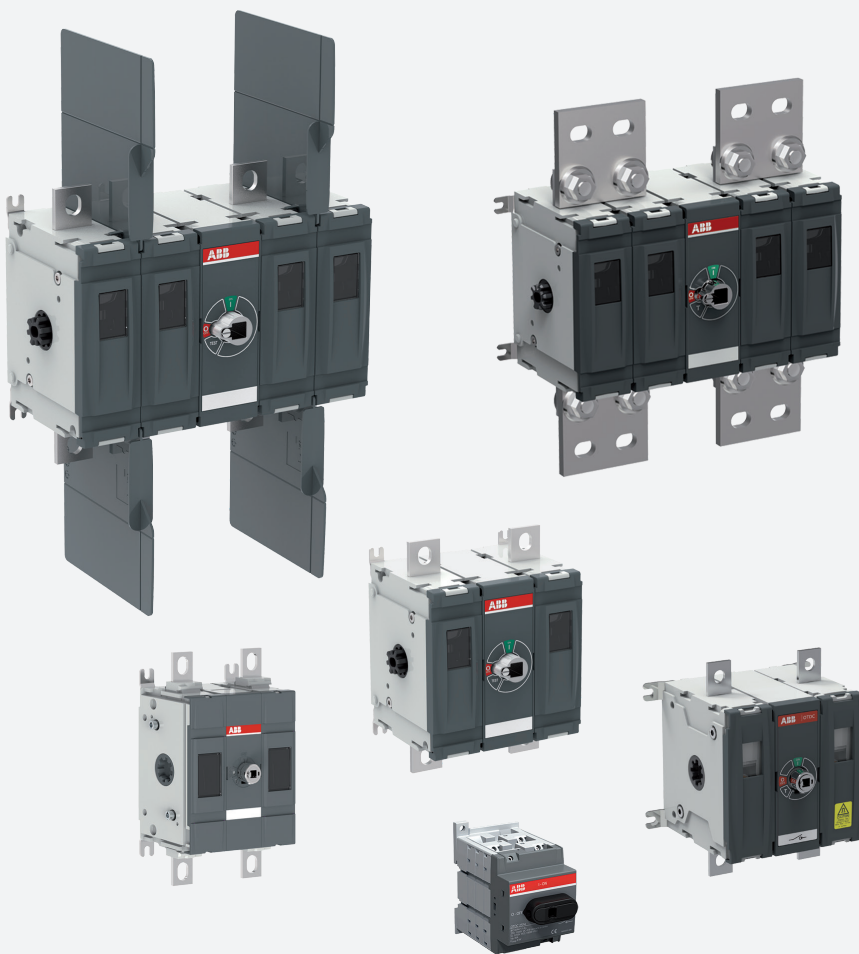


SMART POWER

Switch-disconnectors OTDC

16...1000 A



- Designed for harsh environments
- Compact and modular design
- Reduced power losses

Table of contents

01. Introduction	5
OTDC switches portfolio overview	6
Overview of product range	8
02. Gearing up your installation	11
High performance	13
Speed up your projects	15
Efficient design	17
03. OTDC XS-Series	19
Overview of product range OTDC XS-Series	20
Technical data	22
Ordering information, OTDC XS-Series	21
Ordering information, OTDCP XS-Series	26
OTDC and OTDCP XS-Series circuits	27
04. OTDC S-Series	29
Overview of product range OTDC S-Series	30
Technical data, OTDC S1.0-Series	31
Technical data, OTDC S2.0-Series	32
Ordering information, OTDC S1.0-Series	36
Ordering information, OTDC S2.0-Series	37
OTDC S.1 and S2.0-Series circuits	39
05. OTDC M-Series	41
Overview of product range OTDC M	42
Technical data	43
Ordering information	47
OTDC M-Series circuits	50
06. Accessories	51
DC switch-disconnectors accessory guide for XS-Series	52
DC switch-disconnectors accessory guide for S and M-Series	53
Ordering information, accessories	54
07. Dimensional drawings	65
Dimensional drawings, OTDC XS-Series	66
Dimensional drawings, OTDC S1.0-Series	68
Dimensional drawings, OTDC S2.0-Series	69
Dimensional drawings, OTDC M-Series	72
Dimensional drawings, accessories	77
08. Additional resources	85



01

Introduction

OTDC switches

Switches for all DC applications

OTDC switch-disconnectors are suitable for many applications

- Solar/PV
- Energy Storage System (ESS)
- EV Charging
- Marine
- DC Microgrids
- DC Datacenters
- Rail
- DC Distribution



OTDC switches

Portfolio overview

Enclosed XS-Series 16...32 Amperes

Enclosed low current OTDC is IP65 rated. It has a selector handle (I-O/ON-OFF) with cover interlock and defeatable interlock function.



OTDC XS-Series 16...32 Amperes

Low current OTDC is equipped with high thermal capacity for 1000Vdc applications. Available for base, door or DIN-rail mounting.



OTDC S1.0-Series 100...250 Amperes

Compact and reliable solution for 1000Vdc DC-21B applications. S1.0-Series has one of the smallest power losses on the market. They are an efficient solution for the end application.



OTDC S2.0-Series 100...250 Amperes

Compact, high efficiency DC switch for 1500 Vdc DC-21B/DC-PV2 applications. This series include variants for 10kA short-circuit applications and unique -ESS variants. The ESS variants are designed and tested with fuses for higher short-circuit applications up to 40kA.



OTDC M-Series 315...1000 Amperes

High performing switch with DC-PV2 ratings up to 800A, with small power losses and compact size. The M-Series includes variants for 10kA short-circuit applications and unique -ESS variants, designed and tested with and without fuses for higher short-circuit applications up to 100kA.


























315...800A

800...1000A



Overview of product range

Quick selection IEC



Voltage	Circuits	Amperage													
		IEC60947-3	16	25	32	100	160	200	250	315	400	500	630	800	1000
Utilization category: DC-21B - OTDC XS and OTDCP XS															
660	Single circuit														
	Double circuit														
	Triple circuit	OTDC XS			OTDCP XS										
	Order information	Pages 24-25			Page 26										
Utilization category: DC-21B - OTDC XS, OTDCP XS and OTDC S1.0 DC-PV2 - OTDC M															
1000 ^{*)}	Single circuit														
	Order information	Pages 24-25			Page 26	Page 36	Page 47 Page 49 (higher SC-ratings)		Page 47 Page 49 (higher SC-ratings)						
	Double circuit														
	Order information	Pages 24-25			Page 26	Page 36	Page 47								
	Triple circuit														
	Order information	Page 25			Page 36	Page 47									
Utilization category: DC-21B & DC-PV1 - OTDC S2.0															
1500	Single circuit														
	Order information				Page 37 Page 38 (higher SC-ratings)	Page 47 Page 49 (higher SC-ratings)		Page 47 Page 49 (higher SC-ratings)							
	Double circuit														
	Order information				Page 37	Page 47									
	Triple circuit														
Order information					Page 47										

*) OTDC S2.0-Series available for 1000Vdc Single or Double circuit on request. Higher performance with DV-PV2 ratings available

Overview of product range

Quick selection UL

01

Voltage	Circuits	Amperage												
		UL98B	16	25	32	100	200	250	320	400	600	800	1000	
600	Single circuit		OTDC XS											
	Double circuit													
	Triple circuit													
	Order information			Page 25										
1000 ^{*)}	Single circuit													
	Order information		OTDC S1.0		OTDC M		OTDC M							
				Page 36		Page 48		Page 48	Page 49 (higher SC-ratings)					
									Page 49 (higher SC-ratings)					
	Double circuit													
	Order information		OTDC S1.0		OTDC M									
				Page 36		Page 48								
	Triple circuit													
	Order information		OTDC S1.0											
				Page 36										
	1500	Single circuit												
		Order information		OTDC S2.0		OTDC M		OTDC M						
				Page 37		Page 48		Page 48	Page 49 (higher SC-ratings)					
				Page 38 (higher SC-ratings)		Page 49 (higher SC-ratings)		Page 49 (higher SC-ratings)						
Double circuit														
Order information		OTDC S2.0		OTDC M										
			Page 33		Page 44									

*) OTDC S2.0-Series available for 1000Vdc Single or Double circuit on request. Higher performance compared to S1.0-Series.

02

Gearing up your installation

OTDC switch-disconnectors

Gearing up your installation

OTDC switch-disconnectors provide a robust and reliable switching and isolation in a wide variety of applications. Their efficient design makes your operations smoother and more sustainable.



High performance

With OTDC, you can have peace of mind. The unique 2-pole switch design has been optimized to break mid-currents up to 1500Vdc easily and reliably, across the complete lifespan of the installation. OTDC switch-disconnectors have been certified according to all main international standards and can be used in demanding conditions.



Speed up your projects

Time is money. With OTDC switch-disconnectors, you have the flexibility to design the best installation and equipment, while decreasing labor time.



Efficient design

OTDC switch-disconnectors have been designed with sustainability in mind when it comes to operation, transportation, and installation. As a result, OTDC has a compact design, high energy efficiency and fast installation. The new optimized bulk package decreases waste without compromising the quality of the product during transportation.

High performance

Robust operation and long lifetime

Robust operation in a wide variety of applications

The complete portfolio from 16 to 1000 A complies with all the international standards: IEC 60947, UL98B and CCC. The OTDC range complies with Marine specific DNV GL standard.



OTDC switch-disconnectors from 100 to 800 A fulfill the highest requirements in the IEC standards, such as DC-PV2 utilization category. This means OTDC can connect and disconnect DC circuits with significant overcurrents and handle bi-directional current flow.

OTDC switch-disconnectors have been tested with and without fuses to fulfill higher short circuit level requirements. Now OTDC can reach up to 100kA short-circuit level with fuses.

IEC standards

DC-PV2 ratings

Short circuit current up to

100 kA
with fuses

Reliability - exceptional mechanical endurance

The mechanical endurance of OTDC switch-disconnectors from 100A up to 1000A is 10 000 mechanical operation cycles, which is up to 90% higher than other existing products in the market.

10 000
Operating cycles

High thermal capacity

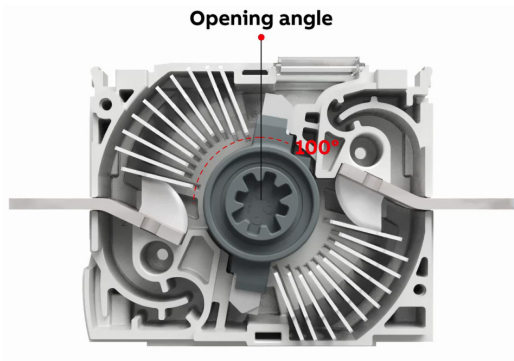
When selecting DC Switch in different DC applications there are many aspects to consider, like enclosure size, cable size, type of connection (busbars or lugs) and ambient temperature inside the enclosure. These have an impact on the thermal capacity of the switch.

OTDC switch-disconnectors have a high thermal capacity, to minimize the derating required in high ambient temperatures. We provide a detailed reference table for the OTDC thermal ratings, based on testing results.

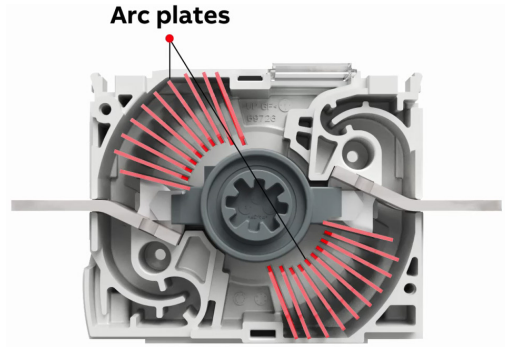
No derating needed up to
75°C
in enclosure

High performance

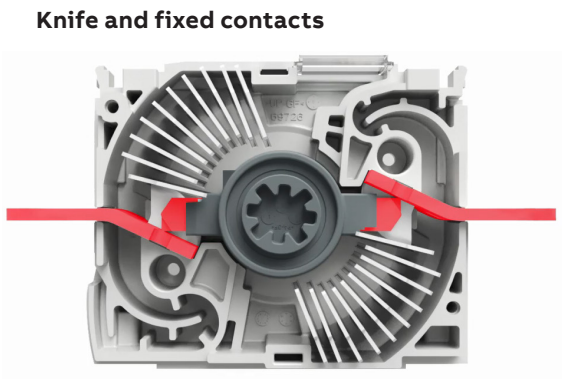
Pole design that enhances safety, reliability and flexibility



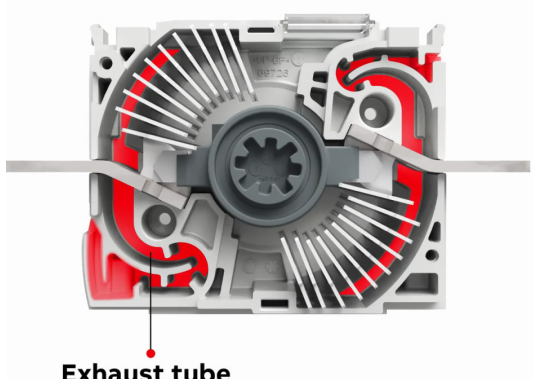
— Long contact opening angle of 100 degrees. This stretches the electric arc at maximum and improves arc suppression



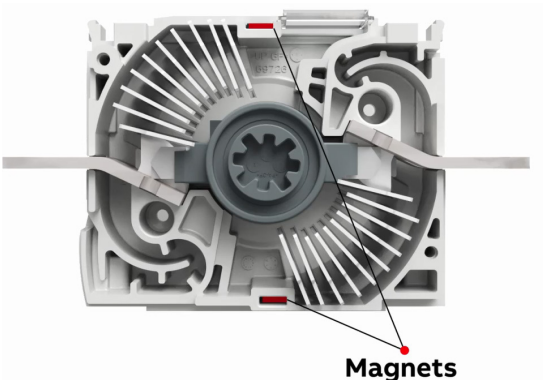
— Multiple arcing plates in the pole chamber create multiple jumping points in the electric arc.



— The contact design allows a high withstand capability. The higher the current, the more firmly the knife contacts are pushed against the fixed contacts



— The long exhaust tubes prevent leakage of conductive gasses caused by arc flash away from the pole



— Dual Magnetic breaking – the pole chamber includes magnets to optimize arc suppression at the end the arc path

Speed up your projects

Fast and flexible

Switch up to 3x1500 with one device

OTDC's modular design makes it possible to operate more than one 1500 Vdc circuit simultaneously with one switch, giving you more alternatives to design your installation. You can connect and disconnect up to 3 x 1500 VDC circuits using only one switch in one enclosure.

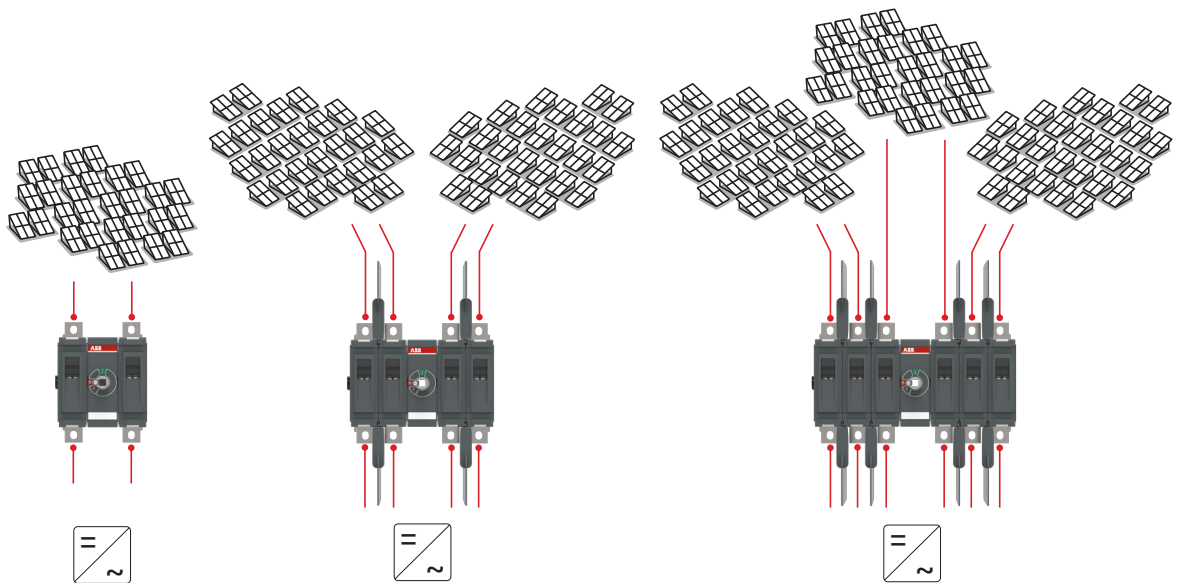
Switch up to **3x1500 VDC** circuits

Front and side operation

The switch can be side or front operated and can be mounted in any direction without impact on the performance.



Side operated OTDC switch-disconnector



OTDC switch-disconnectors to connect and disconnect one, two and three circuits simultaneously

Speed up your projects

Easy installation

Symmetrical pole design

Thanks to the symmetrical pole design, the power supply and load can be reversed. This simplifies cabling, making it possible to cable from bottom/up or up/bottom.

Easy to install accessories

Cabling can be done with mechanical lugs, electrical lugs, and busbars. The accessories are snap-on mounted, can be installed easily and quickly without using any tools. There is no need to use any connection bars to finalize the installation.

Adjustable shaft

The length of the shaft is adjustable, so no special cutting tools are needed. This feature saves up to 50% installation time per switch.

Supply and load can be reversed



The symmetrical pole design allows an easy and flexible design and installation



Adjustable shaft that saves installation time

Efficient design

More compact and energy efficient

Compact and powerful

The design of the new OTDC switch-disconnectors has been optimized for a smaller footprint and high performance. The 2D footprint has been decreased up to 80% compared to equivalent solutions in the market.

Up to
80%
more compact

Energy efficiency

A compact size gives you the possibility to use a smaller enclosure, without worrying about power losses. OTDC's design has up to 80% lower power losses compared to equivalent solutions in the market.

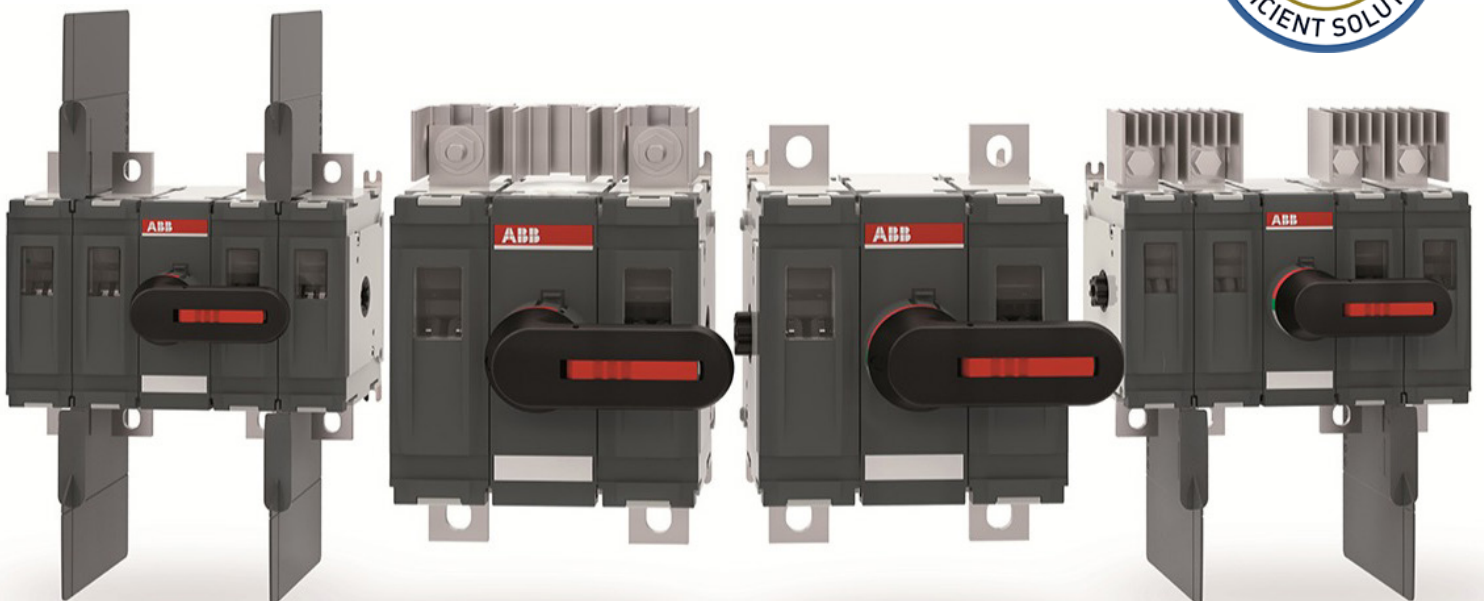
Up to
80%
reduced power losses

Energy efficiency label

OTDC's high energy efficiency by the Solar Impulse Foundation. The 315...800 A range has received the Energy Efficiency Label, given to efficient and profitable solutions that protect the environment.



Learn more about the Solar Impulse Energy Efficiency Label (OTDC 315...800 A)



Efficient design

New bulk package

DC projects typically require hundreds of switches to be delivered in the same batch. Now, OTDC comes in a bulk package designed for your convenience, saving labor time and decreasing the amount of waste.

OTDC switch-disconnectors help original equipment manufacturers (OEMs) to improve the efficiency in their products and systems.

Speed up your manufacturing process

Previously, each switch was delivered in a single pack that had to be unpacked individually. With the new bulk package you can save up to 60 seconds of unpacking per switch. This means, if you purchase a bulk package (280 pieces) of 2-pole S2.0 Series switches, you can save up to 4,5 hours time.

Decrease waste

Bulk pack decreases board and paper waste up to 45kg without compromising product quality during transportation.



Save up to
4,5
hours



Up to
45 kg
less waste

OTDC XS-Series



Overview of product range OTDC XS-Series

Type codes and pole configuration table



OTDC16...32U_

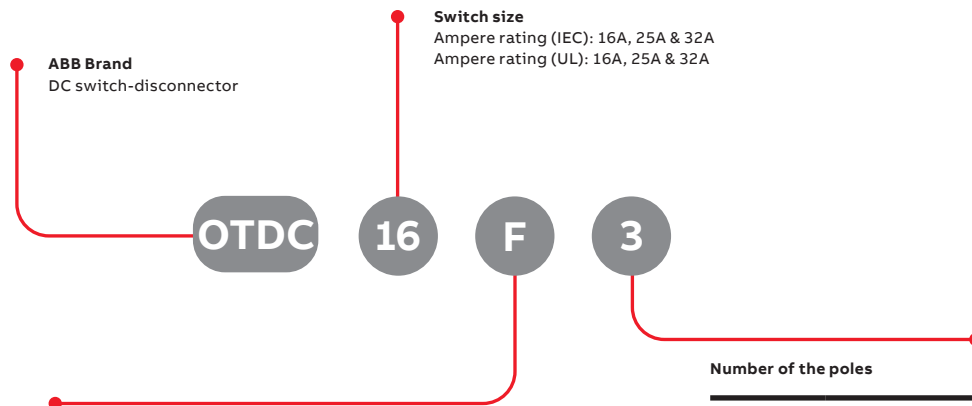
Type codes

Understanding the type code keys below will help you quickly identify the correct product for your needs. The simple naming system allows you to see the products type, Ampere rating, standard classification and number of poles, all in one glance.



OTDC16...32F_

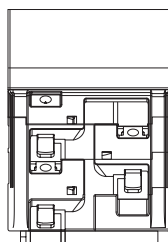
Explanation of the types 16 to 32 Amperes, open version OTDC XS



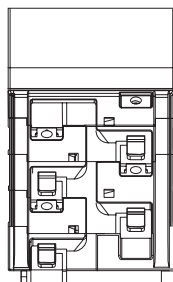
Standard	
Symbols	
F	IEC 60947-3
FT	Door mounted, IEC 60947-3
U	IEC 60947-3 and UL 508i, Base mounted, non-grounded
US	IEC 60947-3 and UL 508i, Base mounted, non-grounded (includes factory mounted jumpers)
UT	IEC 60947-3 and UL 508i, Door mounted, non-grounded
UST	IEC 60947-3 and UL 508i, Door mounted, non-grounded (includes factory mounted jumpers)

Number of the poles

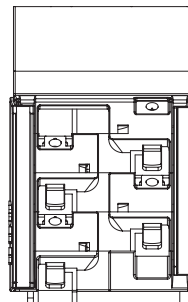
Symbols	
2	2
3	3
4	4
6	6



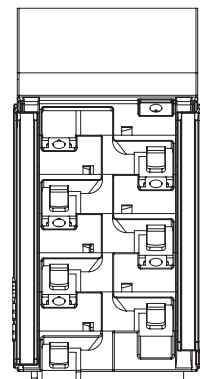
2 pole version



3 pole version



4 pole version



6 pole version

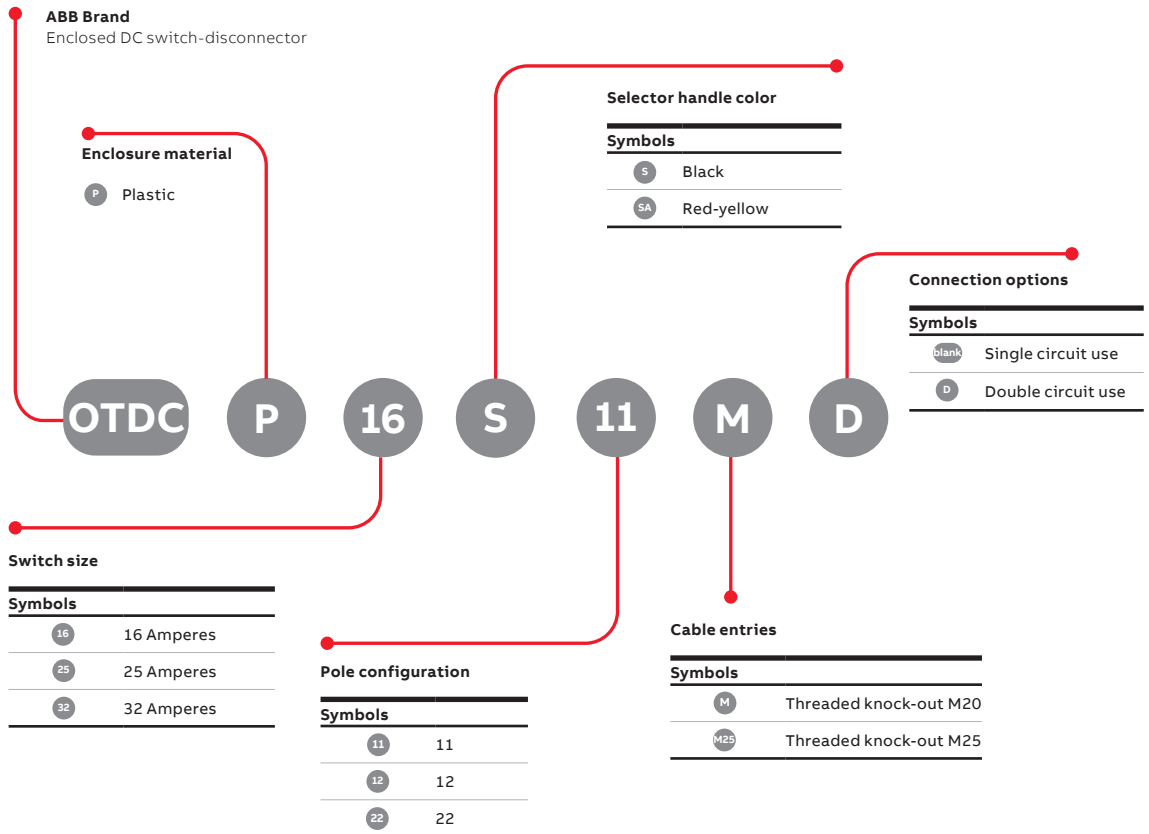
Overview of product range OTDC XS-Series

Type codes and pole configuration table



OTDCP16...32_

Explanation of the types 16 to 32 Amperes, enclosed version OTDCP XS1.0



Technical data

OTDC XS-Series IEC



OTDC16...32F_

Technical data according to IEC 60947 for switch-disconnectors OTDC16...32F_

Switch size			OTDC16F	OTDC25F	OTDC32F	
Rated insulation voltage U_i	Pollution degree 2 ¹⁾	V	1250	1250	1250	
	Pollution degree 3 ¹⁾	V	1000	1000	1000	
Rated impulse withstand voltage		kV	8	8	8	
Rated thermal current I_{th}	In open air, normal conditions ²⁾	A	25	32	45	
	In enclosure 40°C	A	25	32	45	
	In enclosure 60°C	A	25	32	32	
...with cable or bar cross section	Cu	mm ²	4	6	10	
Rated operational current / poles in series DC-21B	660 V	One circuit	V	16/2P	25/2P	32/2P 36A/3P
		Two circuits	V	16/2Px2	25/2Px2	32/2Px2
	1000 V	One circuit	V	10/2P	16/2P	20/2P
			V	16/3P	25/3P	32/3P
		Two circuits	V	10/2Px2	16/2Px2	20/2Px2
			V	16/3P	25/3P	32/3P
Rated short-time withstand current, 1000 V, 1 s	R.M.S. -value I_{cw}	kA	0,8	0,8	0,8	
Power loss / pole	At rated current	W	0,15	0,3	0,5	
Terminal cable size	Cu	mm ²	2.5...16	2.5...16	2.5...16	
Terminal tightening torque	Counter torque required	Nm	1.2...1.4	1.2...1.4	1.2...1.4	

¹⁾ When used with external handle. For use with direct mounted handle, see installation instruction.

²⁾ Normal conditions defined in IEC 60947-1, section 6.1.



OTDCP16...32_

Technical data according to IEC 60947 for enclosed OTDC Switch-disconnectors OTDCP 16...32

Switch sizeA		A	OTDCP16	OTDCP25	OTDCP32	
Rated insulation voltage	Pollution degree 2	V	1250	1250	1250	
	Pollution degree 3	V	1000	1000	1000	
Sielectric strength	50 Hz 1 min	kV	6	6	6	
Rated impulse withstand voltage		kV	8	8	8	
Rated thermal current I_{th} DC-20	In enclosure 40 °C	A	25	32	45	
	In enclosure 60 °C	A	25	32	32	
Rated operational current / poles in series DC-21B	660 V	One circuit	A	16/2P	25/2P	32/2P
		Two circuits	A	16/2Px2	25/2Px2	32/2Px2
	1000 V	One circuit	A	10/2P	16/2P	20/2P
			A	16/3P	25/3P	32/3P
		Two circuit	A	10/2Px2	16/2Px2	20/2Px2
			A	16/3P	25/3P	32/3P
Rated short-time withstand current, 1000 V, 1 s	R.M.S. -value I_{cw}	kA	0.4	0.6	0.8	
Power loss / pole	At rated current	W	0.15	0.3	0.5	

¹⁾ 1000 V with all the poles connected in series, 600 V with 2 poles in series

Technical data

OTDC XS-Series IEC and UL



OTDC16...32U_

Technical data according to IEC 60947 for switch-disconnectors OTDC16...32U_

Switch size			OTDC16U	OTDC25U	OTDC32U
Rated insulation voltage U_i	Pollution degree 2 ¹⁾	V	1250	1250	1250
	Pollution degree 3 ¹⁾	V	1000	1000	1000
Rated impulse withstand voltage		kV	8	8	8
Rated thermal current I_{th}	In open air, normal conditions ²⁾	A	40	50	63
	In enclosure 40°C	A	32	40	50
	In enclosure 60°C	A	25	32	40
...with cable or bar cross section	Cu	mm ²	4	6	10
Rated operational current DC-21B / Poles in series	660 V	One circuit	V 16/2P	25/2P	32/2P
		Two circuits	V 16/2Px2	25/2Px2	32/2Px2
		Three circuits	V 16/2Px3	25/2Px3	32/2Px3
	1000 V ³⁾	One circuit	V 10/2P	16/2P	20/2P
		Two circuits	V 10/2Px2	16/2Px2	20/2Px2
		Three circuits	V 10/2Px3	16/2Px3	20/2Px3
Rated short-time withstand current, 1000 V, 1 s	R.M.S. -value I_{ew}	kA	1,0	1,0	1,0
Rated conditional short-circuit current I_p (r.m.s.)	I_p (r.m.s.), 1000 V	kA	10	10	10
	Max fuse size, gPV	A	80	80	80
Power loss / pole	At rated current	W	0,1	0,2	0,35
Terminal cable size	Cu	mm ²	2.5...16	2.5...16	2.5...16
Terminal tightening torque	Counter torque required	Nm	1.2...1.4	1.2...1.4	1.2...1.4

¹⁾ When used with external handle. For use with direct mounted handle, see installation instruction.

²⁾ Normal conditions defined in IEC 60947-1, section 6.1.

³⁾ U and UT types only. (Not applicable for US nor UST)

Technical data in accordance to UL508I for photovoltaic disconnect switches OTDC16...32U_

Suitable for use in photovoltaic systems in accordance with article 690 of the NEC.

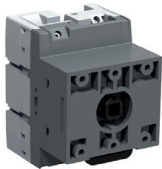
Switch size			OTDC16U	OTDC25U	OTDC32U
UL Listed	Standard		UL508i	UL508i	UL508i
Rated ambient temperature		°C	-20...+60	-20...+60	-20...+60
Rated current / Poles in series	600 V	One circuit	A 16/2P	25/2P	
		Two circuits	A 16/2Px2	25/2Px2	32/2Px2
		Three circuits	A 16/2Px3		
Short circuit rating	600 V	kA	5	5	5
Protection type	Max fuse size, RK5 fuse	A	80	80	80
Wire range			AWG 12-6	AWG 12-6	AWG 12-6
Technical data according to IEC 60947	See IEC table for type		OTDC16U	OTDC25U	OTDC32U

Ordering information, IEC

OTDC XS-Series 16...32 A



OTDC16...32F_



OTDC16...32FT_

Switch-disconnectors OTDC XS-Series, base, DIN-rail or door mounting, IEC

OTDC16...32F_ base or DIN-rail mounted types include IP20 protected terminal clamps and knob handles.

Rated operational current [A]		Number of circuits	Circuit	Number of poles	Type	Order code
600Vdc	1000Vdc					
DC-21B						
Base or DIN-rail mounting						
16	10	1	2a, 2b	2	OTDC16F2	1SCA121454R1001
16	16	1	5a	3	OTDC16F3	1SCA121457R1001
25	16	1	2a, 2b	2	OTDC25F2	1SCA121455R1001
25	25	1	5a	3	OTDC25F3	1SCA121458R1001
32	20	1	2a, 2b	2	OTDC32F2	1SCA121456R1001
32	32	1	5a	3	OTDC32F3	1SCA121459R1001
16	10	2	4a, 4c	4	OTDC16F4	1SCA121461R1001
25	16	2	4a, 4c	4	OTDC25F4	1SCA121462R1001
32	20	2	4a, 4c	4	OTDC32F4	1SCA121463R1001
Door mounting						
16	10	1	2a, 2b	2	OTDC16FT2	1SCA123839R1001
-	16	1	5a	3	OTDC16FT3	1SCA123840R1001
25	16	1	2a, 2b	2	OTDC25FT2	1SCA123842R1001
-	25	1	5a	3	OTDC25FT3	1SCA123843R1001
32	20	1	2a, 2b	2	OTDC32FT2	1SCA123845R1001
-	32	1	5a	3	OTDC32FT3	1SCA123846R1001
16	10	2	4a, 4c	2	OTDC16FT4	1SCA123839R1001
25	16	2	4a, 4c	2	OTDC25FT4	1SCA123842R1001
32	20	2	4a, 4c	2	OTDC32FT4	1SCA123845R1001

The circuits can be found in page 27.

You can find the accessories starting from page 51 and dimensional drawings starting from page 65.

Ordering information, IEC and UL

OTDC XS-Series 16...32 A



OTDC16...32F_

Switch-disconnectors OTDC XS-Series, base or DIN-rail mounting, IEC and UL
OTDC16...32U include IP20 protected terminal clamps.

Rated operational current [A]

UL 508i 600Vdc	IEC 60947-3, DC-21B		Number of circuits	Circuit	Number of poles	Single packed	
	660Vdc	1000Vdc				Type	Order code
Base or DIN-rail mounting							
16	16	10	1	2a, 2b	2	OTDC16U2	1SCA134369R1001
25	25	16	1	2a, 2b	2	OTDC25U2	1SCA134375R1001
16	16	10	2	4a, 4c	4	OTDC16U4	1SCA134370R1001
25	25	16	2	4a, 4c	4	OTDC25U4	1SCA134377R1001
32	32	20	2	4a, 4c	4	OTDC32U4	1SCA136703R1001
16	16	10	3	7a,7e	6	OTDC16U6	1SCA134371R1001
Door mounting							
16	16	10	1	2a, 2b	2	OTDC16UT2	1SCA134387R1001
25	25	16	1	2a, 2b	2	OTDC25UT2	1SCA134388R1001
16	16	10	2	4a, 4c	4	OTDC16UT4	1SCA134390R1001
25	25	16	2	4a, 4c	4	OTDC25UT4	1SCA134391R1001
32	32	20	2	4a, 4c	4	OTDC32UT4	1SCA136705R1001
16	16	10	3	7a,7e	6	OTDC16UT6	1SCA134580R1001

The circuits can be found in page 27.

You can find the accessories starting from page 51 and dimensional drawings starting from page 65.

Ordering information, IEC

OTDCP XS-Series 16...32Amperes



OTDC16...32SA_



OTDC16...32S_

Enclosed Switch-disconnectors OTDCP XS-Series

The delivery includes a selector handle (I-O/ON-OFF) with cover interlock and defeatable interlock function. Auxiliary contacts not included. Plastic enclosure is IP65 rated.

Rated operational current [A]

DC-21B		Handle color	Cable outlets	Number of circuits	Circuit	Number of poles	Type	Order code
600Vdc	1000Vdc							
16	10	Red-yellow	M20	1	2a, 2b	2	OTDC16SA11M	1SCA125126R1001
25	16	Red-yellow	M20	1	2a, 2b	2	OTDC25SA11M	1SCA125127R1001
32	20	Red-yellow	M20	1	2a, 2b	2	OTDC32SA11M	1SCA125128R1001
16	10	Black	M20	1	2a, 2b	2	OTDC16S11M	1SCA125129R1001
25	16	Black	M20	1	2a, 2b	2	OTDC25S11M	1SCA125130R1001
32	20	Black	M20	1	2a, 2b	2	OTDC32S11M	1SCA125131R1001
16	16	Red-yellow	M20	1	5a	3	OTDC16SA12M	1SCA125150R1001
25	25	Red-yellow	M20	1	5a	3	OTDC25SA12M	1SCA125151R1001
32	32	Red-yellow	M20	1	5a	3	OTDC32SA12M	1SCA125152R1001
16	16	Black	M20	1	5a	3	OTDC16S12M	1SCA125153R1001
25	25	Black	M20	1	5a	3	OTDC25S12M	1SCA125154R1001
32	32	Black	M20	1	5a	3	OTDC32S12M	1SCA125155R1001
16	16	Red-yellow	M25	1	6c	4	OTDC16SA22M25	1SCA144900R1001
25	25	Red-yellow	M25	1	6c	4	OTDC25SA22M25	1SCA144902R1001
32	32	Red-yellow	M25	1	6c	4	OTDC32SA22M25	1SCA144904R1001
16	16	Red-yellow	M20	1	6c	4	OTDC16SA22M	1SCA125094R1001
25	25	Red-yellow	M20	1	6c	4	OTDC25SA22M	1SCA125091R1001
32	32	Red-yellow	M20	1	6c	4	OTDC32SA22M	1SCA125090R1001
16	16	Black	M20	1	6c	4	OTDC16S22M	1SCA125095R1001
25	25	Black	M20	1	6c	4	OTDC25S22M	1SCA125092R1001
32	32	Black	M20	1	6c	4	OTDC32S22M	1SCA125093R1001
16	10	Red-yellow	M20	2	4a, 4c	4	OTDC16SA22MD	1SCA131850R1001
25	16	Red-yellow	M20	2	4a, 4c	4	OTDC25SA22MD	1SCA131851R1001
32	20	Red-yellow	M20	2	4a, 4c	4	OTDC32SA22MD	1SCA131852R1001
16	10	Black	M20	2	4a, 4c	4	OTDC16S22MD	1SCA131730R1001
25	16	Black	M20	2	4a, 4c	4	OTDC25S22MD	1SCA131731R1001
32	20	Black	M20	2	4a, 4c	4	OTDC32S22MD	1SCA131732R1001

The circuits can be found in the next page.

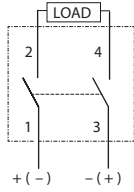
You can find the accessories starting from page 51 and dimensional drawings starting from page 65.

Ordering information, IEC

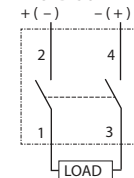
OTDC and OTDCP XS Circuits

Single circuit 2a, 2b

2-pole, 4-wire, 1-circuit

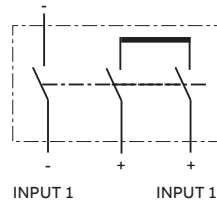


2-pole, 4-wire, 1-circuit
REVERSED SUPPLY



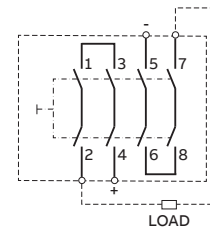
Single circuit 5a

OUTPUT 1



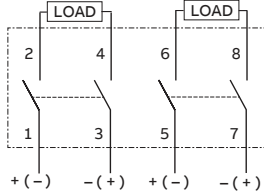
INPUT 1 INPUT 1
OUTPUT 1

Single circuit 6c

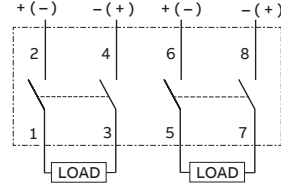


Double circuit 4a, 4c

4-pole, 4-wire, 2-circuit

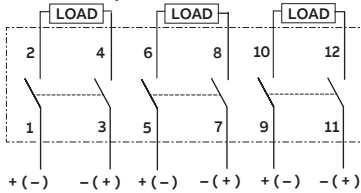


4-pole, 4-wire, 2-circuit
REVERSED SUPPLY

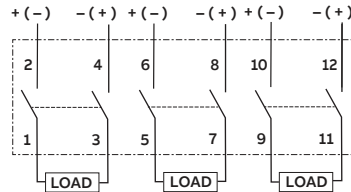


Triple circuit 7a, 7c

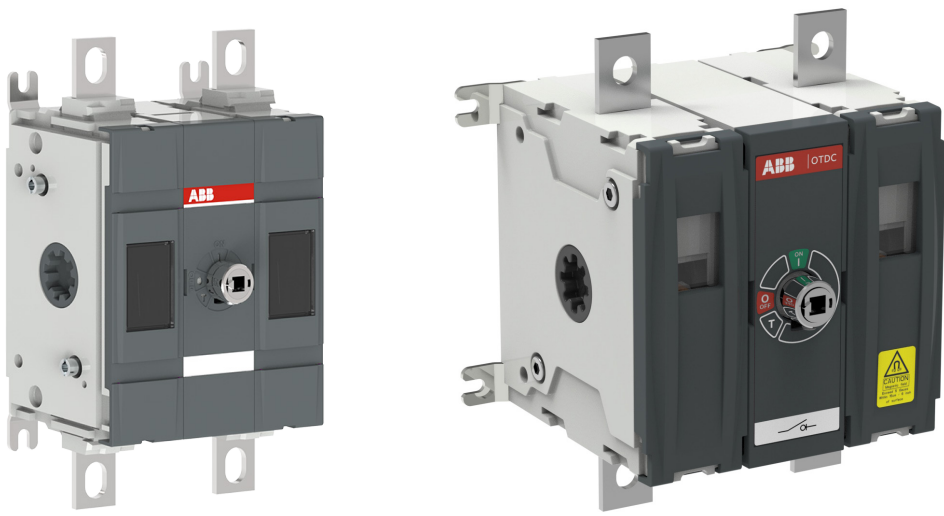
6-pole, 12-wire, 3-circuit



6-pole, 12-wire, 3-circuit
REVERSED SUPPLY



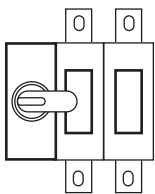
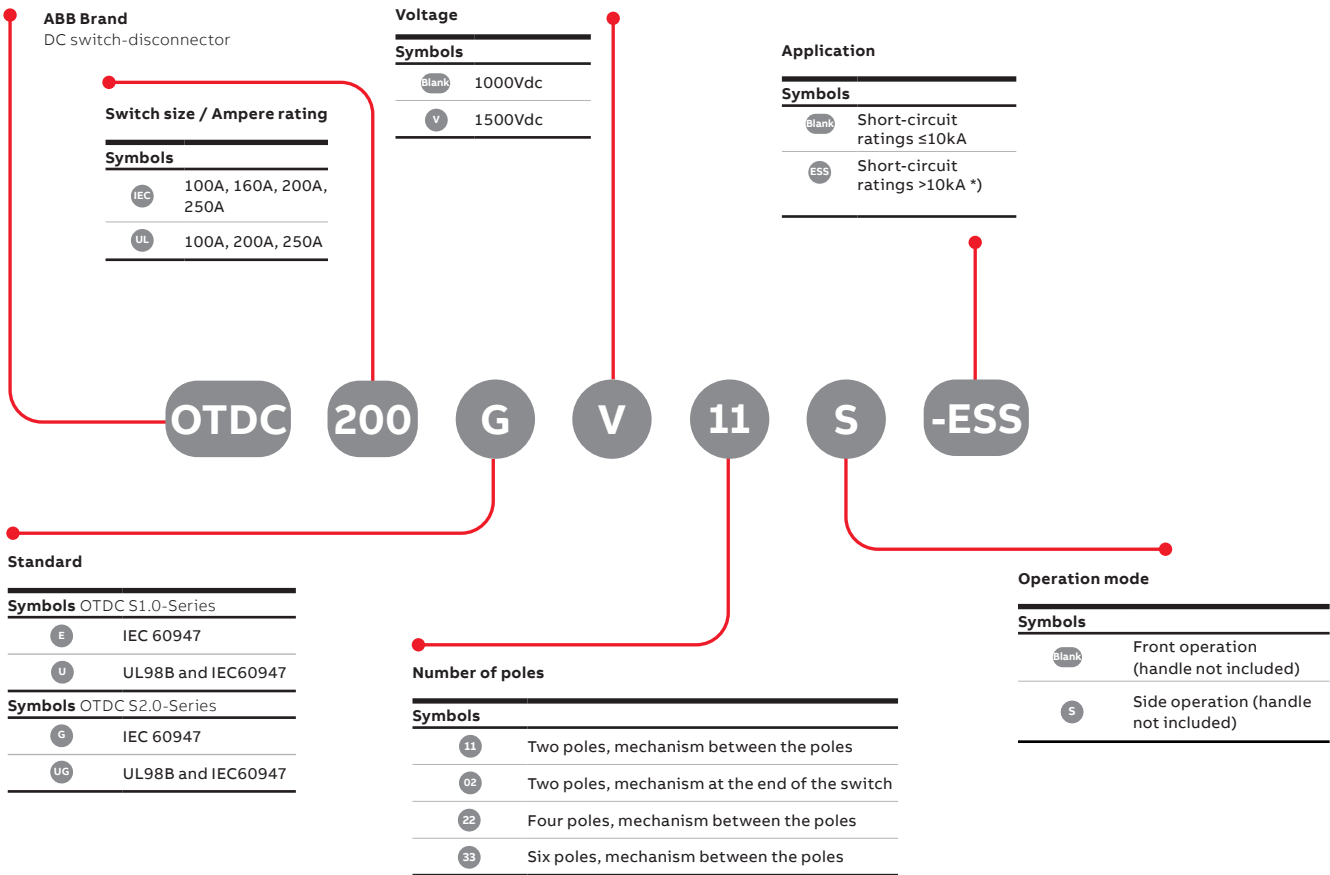
OTDC S-Series



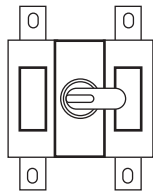
Overview of product range OTDC S-Series

Type codes and pole configuration table

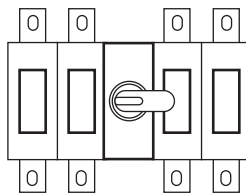
Explanation of the types OTDC S1.0 and OTDC S2.0-Series from 100A up to 250A (IEC and UL98B)



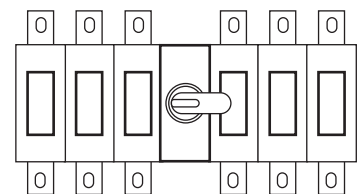
Configuration 02



Configuration 11



Configuration 22



Configuration 33

Technical data

OTDC S1.0-Series IEC and UL



OTDC100...250E/U_

Technical data according to IEC 60947 for switch-disconnectors OTDC100...250E_

Switch size				OTDC100E	OTDC160E	OTDC200E	OTDC250E	
Rated insulation voltage U_i	Pollution degree 3		V	1500	1500	1500	1500	
Rated impulse withstand voltage			kV	12	12	12	12	
Rated thermal current $I_{th}^{2)}$	In open air, normal conditions ¹⁾		A	100	160	200	250	
	In enclosure 40°C		A	96	154	193	241	
	In enclosure 50°C		A	89	142	177	222	
	In enclosure 60°C		A	80	128	160	200	
...with cable or bar cross section	Cu		mm ²	35	70	95	120	
Rated operational current DC-21B, poles in series	1000 V	1 circuit	2P (1P+, 1P-)	A	100	160	200	250
		2 circuits	4P (2P+, 2P-)	A	100	160	200	250
		3 circuits	6P (3P+, 3P-)	A	100	160	200	
Rated short-time withstand current, 1000 V	R.M.S. -value I_{cw}	1s	kA	5	5	5	5	
		0.1s	kA	10	10	10	10	
Power loss / pole	At rated current		W	2	4	6	9,5	
Terminal bolt size	Metric thread diameter x length		mm	M8x25	M8x25	M8x25	M8x25	
Terminal tightening torque	Counter torque required		Nm	15...22	15...22	15...22	15...22	

¹⁾ Normal conditions defined in IEC 60947-1, section 6.1

²⁾ Ambient max. average 24h

Technical data in accordance to UL98B for photovoltaic disconnect switches OTDC100...200U_ Suitable For Use In Photovoltaic Systems In Accordance With Article 690 of the NEC.

Switch size				OTDC100U	OTDC200U	
UL Listed	Standard			UL98B	UL98B	
Rated ambient temperature			°C	-20...+50	-20...+50	
Rated current	1000 V	1 circuit	2P (1P+, 1P-)	A	100	200
		2 circuits	4P (2P+, 2P-)	A	100	200
		3 circuits	6P (3P+, 3P-)	A	100	200
Short circuit rating	1000 V		kA	10	10	
Protection type				Circuit breaker	Circuit breaker	
Mechanical lug				OZXA200	OZXA200	
Wire range	Cu/Al			AWG 4-300MCM	AWG 4-300MCM	
Tightening torque			lb-in.	200	200	
Technical data according to IEC 60947	See IEC table for type			OTDC160E	OTDC250E	

Technical data

OTDC S2.0-Series IEC



OTDC100...250_G_

Technical data according to IEC 60947 for switch-disconnectors OTDC100G_...250G_

Switch size				A	OTDC100G_	OTDC160G_	OTDC200G_	OTDC250G_	
Rated insulation voltage U_i	Pollution degree 2			V	1500	1500	1500	1500	
Rated impulse withstand voltage				kV	12	12	12	12	
Rated thermal current $I_{th}^{1)}$	In open air, normal conditions ²⁾			A	100	160	200	250	
	In enclosure 40°C			A	100	160	200	250	
	In enclosure 50°C			A	100	160	200	250	
	In enclosure 60°C			A	100	160	200	219	
	In enclosure 70°C			A	100	146	169	185	
	In enclosure 80°C			A	88	115	133	146	
...with cable or bar cross section	Cu			mm ²	35	70	95	120	
Rated operational current $I_e^{3)}$, poles in series	DC-21B	1000 V	1 circuit	2P (1P+, 1P-)	A	100	160	200	250
			2 circuits	4P (2P+, 2P-)	A	100	160	200	250
		1500 V	1 circuit	2P (1P+, 1P-)	A	100	160	200	250
			2 circuits	4P (2P+, 2P-)	A	100	160	200	250
	DC-PV1	1000 V	1 circuit	2P (1P+, 1P-)	A	100	160	200	200
			2 circuits	4P (2P+, 2P-)	A	100	160	200	200
		1500 V	1 circuit	2P (1P+, 1P-)	A	100	160	200	200
			2 circuits	4P (2P+, 2P-)	A	100	160	200	200
	DC-PV2	1000 V	1 circuit	2P (1P+, 1P-)	A	100	160	200	200
			2 circuits	4P (2P+, 2P-)	A	100	160	200	200
		1500 V	1 circuit	2P (1P+, 1P-)	A	100	100	100	100
			2 circuits	4P (2P+, 2P-)	A	100	100	100	100
Rated short-time withstand current, 1500 V, 0,1	R.M.S. -value I_{cw}			kA	10	10	10	10	
Rated short circuit making capacity, 1500 V	Peak value I_{cm}			kA	10	10	10	10	
Power loss / pole	At rated current			W	1,0...1,3	3,1...3,5	5,0...5,5	7,7...8,4	
Terminal bolt size	Metric thread diameter x length			mm	M8x25	M8x25	M8x25	M8x25	
Terminal tightening torque	Counter torque required			Nm	15...22	15...22	15...22	15...22	
Mechanical Endurance	Cycles			-	10.000				
Operating altitude without derating				m	≤2000				

¹⁾ For more detailed derating, please consult us. Installation condition may have an influence on the derating by increasing the possible rated current. The given deratings are references based on specific test setup.

²⁾ Normal conditions defined in IEC 60947-1, section 6.1

³⁾ For DC-22B utilization category ratings, please consult us

Technical data

OTDC S2.0-Series IEC and UL



OTDC100...250_G_

Technical data in accordance to UL98B for photovoltaic disconnect switches OTDC100UG_...250UG_
Suitable For Use in Photovoltaic Systems in Accordance With Article 690 of the NEC.

Switch size					OTDC100UG_	OTDC200UG_	OTDC250UG_	
UL Listed	Standard				UL98B	UL98B	UL98B	
Rated ambient temperature without derating					°C	-20...+50	-20...+50	
Rated current	1000 V	1 circuit	2P (1P+,1P-)	A	100	200	250	
		2 circuits	4P (2P+,2P-)	A	100	200	250	
	1500 V	1 circuit	2P (1P+,1P-)	A	100	200	250	
		2 circuits	4P (2P+,2P-)	A	100	200	250	
Short circuit rating	1500 V			kA	10	10	10	
Required protection ²⁾					Any	Any	Any	
Mechanical lug					OZXA 100	OZXA 200	OZXA 252	
Wire range					AWG 14-2/0	AWG 4-300MCM	2 X AWG 14-2/0	
Tightening torque					lb-in.	35-50	200	120
Technical data according to IEC 60947	See IEC table for type				OTDC160G_	OTDC250G_	OTDC250G_	

¹⁾ For more detailed derating please consult us. Installation condition may have an influence on the derating. The given deratings are references based on specific test setup.

²⁾ Any suitable PV fuse or PV circuit breaker

Technical data

OTDC S2.0-Series for higher short-circuit currents IEC



OTDC100...250_G_

Technical data according to IEC 60947 for switch-disconnectors OTDC100G_...250G_-ESS

Switch size		A	OTDC100G_-ESS	OTDC160G_-ESS	OTDC200G_-ESS	OTDC250G_-ESS			
Rated insulation voltage U_i	Pollution degree 2	V	1500	1500	1500	1500			
Rated impulse withstand voltage		kV	12	12	12	12			
Rated thermal current $I_{th}^{1)}$	In open air, normal conditions ²⁾	A	100	160	200	250			
	In enclosure 40°C	A	100	160	200	250			
	In enclosure 50°C	A	100	160	200	250			
	In enclosure 60°C	A	100	160	200	219			
	In enclosure 70°C	A	100	146	169	185			
	In enclosure 80°C	A	88	115	133	146			
...with cable or bar cross section	Cu	mm ²	35	70	95	120			
Rated operational current $I_e^{5)}$, poles in series	DC-21B	1000 V	1 circuit	2P (1P+, 1P-)	A	100	160	200	250
			2 circuits	4P (2P+, 2P-)	A	100	160	200	250
		1500 V	1 circuit	2P (1P+, 1P-)	A	100	160	200	250
			2 circuits	4P (2P+, 2P-)	A	100	160	200	250
	DC-PV1	1000 V	1 circuit	2P (1P+, 1P-)	A	100	160	200	200
			2 circuits	4P (2P+, 2P-)	A	100	160	200	200
		1500 V	1 circuit	2P (1P+, 1P-)	A	100	160	200	200
			2 circuits	4P (2P+, 2P-)	A	100	160	200	200
	DC-PV2	1000 V	1 circuit	2P (1P+, 1P-)	A	100	160	200	200
			2 circuits	4P (2P+, 2P-)	A	100	160	200	200
		1500 V	1 circuit	2P (1P+, 1P-)	A	100	100	100	100
			2 circuits	4P (2P+, 2P-)	A	100	100	100	100
Rated short-time withstand current, 1500 V, 0,1	R.M.S. -value I_{cw}	kA	10	10	10	10			
Rated short circuit making capacity, 1500 V	Peak value I_{cm}	kA	10	10	10	10			
Rated conditional short-circuit current I_q	R.M.S. - value I_q	kA	30	30	30	30			
	Required protection	Max. ETI fuse size gPV, L/R= 1-3 ms	A	250 ³⁾	250 ³⁾	250 ³⁾	250 ³⁾		
Rated conditional short-circuit current $I_q^{4)}$	R.M.S. - value I_q , L/R = 1,5 ms	kA	40	40	40	40			
	Allowed let through peak	kA	15	15	15	15			
	Allowed let through energy I^2t	kJ	300	300	300	300			
Power loss/pole	At rated current	W	1,0...1,3	3,1...3,5	5,0...5,5	7,7...8,4			
Terminal bolt size	Metric thread diameter x length	mm	M8x25	M8x25	M8x25	M8x25			
Terminal tightening torque	Counter torque required	Nm	15...22	15...22	15...22	15...22			
Mechanical Endurance	Cycles	-	10.000						
Operating altitude without derating		m	≤2000						

¹⁾ For more detailed derating please consult us. Installation condition may have an influence on the derating by increasing the possible rated current. The given deratings are a reference based on specific test setup.

²⁾ Normal conditions defined in IEC 60947-1, section 6.1

³⁾ Fuse manufacturer, size and type: ETI, 250A, Cat.no 004110 followed by 567, 598 or 613. More details from the fuse manufacturer catalog.

⁴⁾ Any fuse which does not exceed stated values can be used

⁵⁾ For DC-22B utilization category ratings, please consult us.

Technical data

OTDC S2.0-Series for higher short-circuit currents IEC and UL



OTDC100...250_G_

Technical data in accordance to UL98B for photovoltaic disconnect switches OTDC100UG_...250UG_-ESS
Suitable For Use in Photovoltaic Systems in Accordance With Article 690 of the NEC.

Switch size			OTDC100UG_-ESS	OTDC200UG_-ESS	OTDC250UG_-ESS	
UL Listed	Standard		UL98B	UL98B	UL98B	
Rated ambient temperature			°C -20...+50	-20...+50	-20...+50	
Rated current ¹⁾	1000 V	1 circuit	2P (1P+, 1P-) A	100	200	250
		2 circuits	4P (2P+, 2P-) A	100	200	250
	1500 V	1 circuit	2P (1P+, 1P-) A	100	200	250
		2 circuits	4P (2P+, 2P-) A	100	200	250
Short circuit rating	1500 V	R.M.S. -value	kA 10	10	10	
Required protection ²⁾			Any	Any	Any	
Short circuit rating	1500 VDC		kA 30	30	30	
Required protection ³⁾	Max. ETI fuse size gPV, L/R= 1ms		A 100	200	250	
Mechanical lug			OZXA 100	OZXA 200	OZXA 252	
Wire range			AWG 14-2/0	AWG 4-300MCM	2 X AWG 14-2/0	
Tightening torque			lb-in. 35-50	200	120	
Technical data according to IEC 60947	See IEC table for type		OTDC160G_	OTDC250G_	OTDC250G_	

¹⁾ For more detailed derating please consult us. Installation condition may influence on the derating. The given deratings are references based on specific test setup.

²⁾ Any suitable PV fuse or PV circuit breaker

³⁾ 100A Fuse manufacturer, size and type: ETI, Cat.no 004110 followed by 562, 593 or 608

200A Fuse manufacturer, size and type: ETI, Cat.no 004110 followed by 565, 596, 611, 566, 597 or 612

250A Fuse manufacturer, size and type: ETI, Cat.no 004110 followed by 567, 598 or 613

Ordering information, IEC and UL

OTDC S1.0-Series 100...250A



OTDC100...250_11

The OTDC S1.0-Series is specially designed for DC applications up to 1000Vdc in the current range from 100A up to 250A. The switch has one of the smallest physical footprints and lowest power losses in the market. Handles and shafts are not included.

IEC Ordering information

Voltage [Vdc]	Rated operational current [A]		Number of Circuits	Circuit ¹⁾	Number of poles	Single package Type ²⁾	Order code
	DC-21B						
Front operated, mechanism between the poles							
1000	100		1	2a, 2b	2	OTDC100E11	1SCA125821R1001
1000	160		1	2a, 2b	2	OTDC160E11	1SCA123745R1001
1000	200		1	2a, 2b	2	OTDC200E11	1SCA125626R1001
1000	250		1	2a, 2b	2	OTDC250E11	1SCA125865R1001
1000	100		2	4a, 4c	4	OTDC100E22	1SCA125824R1001
1000	160		2	4a, 4c	4	OTDC160E22	1SCA125844R1001
1000	200		2	4a, 4c	4	OTDC200E22	1SCA125856R1001
1000	250		2	4a, 4c	4	OTDC250E22	1SCA125869R1001
1000	100		3	7a, 7e	6	OTDC100E33	1SCA149066R1001
1000	160		3	7a, 7e	6	OTDC160E33	1SCA149065R1001
1000	200		3	7a, 7e	6	OTDC200E33	1SCA149067R1001

UL Ordering information

Voltage [Vdc]	Rated operational current [A]		Number of Circuits	Circuit ¹⁾	Number of poles	Single package Type ²⁾	Order code
	UL98B	IEC60947-3					
Front operated, mechanism between the poles							
1000	100	100	1	2a, 2b	2	OTDC100U11	1SCA123957R1001
1000	200	200	1	2a, 2b	2	OTDC200U11	1SCA123767R1001
1000	100	100	2	4a, 4c	4	OTDC100U22	1SCA126180R1001
1000	200	200	2	4a, 4c	4	OTDC200U22	1SCA126129R1001
1000	100	100	3	7a, 7e	6	OTDC100U33	1SCA149069R1001
1000	200	200	3	7a, 7e	6	OTDC200U33	1SCA149090R1001

¹⁾ Please see floating circuit in page 39 and grounded circuits from page 60-61. Single circuit 1a and double circuit 3 with connection bar kit accessories.

²⁾ Phase barriers are included in types OTDC100...250_22/33 - installation mandatory.

You can find the accessories starting from page 51 and dimensional drawings starting from page 65.

Ordering information, IEC and UL

OTDC S2.0-Series 100...250A



OTDC100...250_GV11

Robust DC switch-disconnector for up to 1500V DC applications covering 100-250A current range. The new design has a more compact size, higher efficiency and higher performance.

The two-pole 1500V DC concept helps manufacturers improve system efficiency, reducing switch power losses up to 75%. The physical footprint is up to 70% smaller than other solutions in the market. The compact size of the new OTDC range makes it possible for manufacturers to reduce the size of enclosures. Handles, shafts or other hardware are not included.

IEC Ordering information

Voltage [Vdc]	Rated operational Current [A]		Number of Circuits	Circuit ¹⁾	Number of poles	Single package Type ²⁾	Order code	Bulk package	
	DC-21B	DC-PV2						Type ³⁾	Order code
Front operated, mechanism between the poles									
1500	100	100	1	2a, 2b	2	OTDC100GV11	1SCA161932R1001	OTDC100GV11/280	1SCA162002R1001
1500	160	100	1	2a, 2b	2	OTDC160GV11	1SCA161933R1001	OTDC160GV11/280	1SCA162004R1001
1500	200	100	1	2a, 2b	2	OTDC200GV11	1SCA161938R1001	OTDC200GV11/280	1SCA162005R1001
1500	250	100	1	2a, 2b	2	OTDC250GV11	1SCA161996R1001	OTDC250GV11/280	1SCA162007R1001
1500	100	100	2	4a, 4c	4	OTDC100GV22	1SCA161976R1001		
1500	160	100	2	4a, 4c	4	OTDC160GV22	1SCA161985R1001		
1500	200	100	2	4a, 4c	4	OTDC200GV22	1SCA161989R1001		
1500	250	100	2	4a, 4c	4	OTDC250GV22	1SCA161939R1001		
Side operated, mechanism at the end of the switch									
1500	100	100	1	2a, 2b	2	OTDC100GV02S	1SCA161974R1001		
1500	160	100	1	2a, 2b	2	OTDC160GV02S	1SCA161982R1001		
1500	200	100	1	2a, 2b	2	OTDC200GV02S	1SCA161986R1001		
1500	250	100	1	2a, 2b	2	OTDC250GV02S	1SCA161995R1001		

UL Ordering information

Voltage [Vdc]	Rated operational Current [A]		Number of Circuits	Circuit ¹⁾	Number of poles	Single package Type ²⁾	Order code	Bulk package	
	UL98B	IEC60947-3						Type ³⁾	Order code
Front operated, mechanism between the poles									
1500	100	160	1	2a, 2b	2	OTDC100UGV11	1SCA161978R1001	OTDC100UGV11/280	1SCA162003R1001
1500	200	250	1	2a, 2b	2	OTDC200UGV11	1SCA161991R1001	OTDC200UGV11/280	1SCA162006R1001
1500	250	250	1	2a, 2b	2	OTDC250UGV11	1SCA161942R1001	OTDC250UGV11/280	1SCA162008R1001
1500	100	160	2	4a, 4c	4	OTDC100UGV22	1SCA161981R1001		
1500	200	250	2	4a, 4c	4	OTDC200UGV22	1SCA161994R1001		
1500	250	250	2	4a, 4c	4	OTDC250UGV22	1SCA162001R1001		
Side operated, mechanism at the end of the switch									
1500	100	160	1	2a, 2b	2	OTDC100UGV02S	1SCA161977R1001		
1500	200	250	1	2a, 2b	2	OTDC200UGV02S	1SCA161990R1001		
1500	250	250	1	2a, 2b	2	OTDC250UGV02S	1SCA161940R1001		

* Please consult us for 1000Vdc types

¹⁾ Please see floating circuit in page 39 and the grounded circuits in page 65 - single circuit 1a and double circuit 3 with connection bar kit accessories.

²⁾ Phase barriers are included to pole configurations _22/_02 - Installation mandatory.

³⁾ Bulk package includes 280pcs of switches in FIN-pallet (LxWxH) 1200mm x 1000mm x 1200mm. The bulk package contains only switches and one installation instruction.

You can find the accessories starting from page 51 and dimensional drawings starting from page 65.

Ordering information, IEC and UL

OTDC S2.0-Series 100...250A for higher short-circuit currents



OTDC100...250_GV11-ESS

Robust DC switch-disconnector for up to 1500V DC applications covering 100-250A current range. These new switches have higher short-circuit ratings. Handles and shafts are not included.

IEC Ordering information

Voltage [Vdc]	Rated operational current [A]		Number of circuits	Circuit ¹⁾	Number of poles	Type	Single package
	DC-21B	DC-PV2					Order code
Front operated, mechanism between the poles							
1500	100	100	1	2a, 2b	2	OTDC100GV11-ESS	1SCA161975R1001
1500	160	100	1	2a, 2b	2	OTDC160GV11-ESS	1SCA161983R1001
1500	200	100	1	2a, 2b	2	OTDC200GV11-ESS	1SCA161987R1001
1500	250	100	1	2a, 2b	2	OTDC250GV11-ESS	1SCA161997R1001

UL Ordering information

Voltage [Vdc]	Rated operational current [A]		Number of circuits	Circuit ¹⁾	Number of poles	Type	Single package
	UL98B	IEC60947-3					Order code
Front operated, mechanism between the poles							
1500	100	160	1	2a, 2b	2	OTDC100UGV11-ESS	1SCA161979R1001
1500	200	250	1	2a, 2b	2	OTDC200UGV11-ESS	1SCA161992R1001
1500	250	250	1	2a, 2b	2	OTDC250UGV11-ESS	1SCA161999R1001

^{*} Please consult us for 1000 Vdc types

¹⁾ Please see the floating circuit from page 39 and the grounded circuits from page 60 and 61- single circuit 1a and double circuit 3 with connection bar kit accessories.

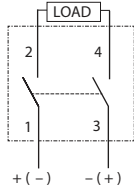
You can find the accessories starting from page 51 and dimensional drawings starting from page 65.

Ordering information, IEC and UL

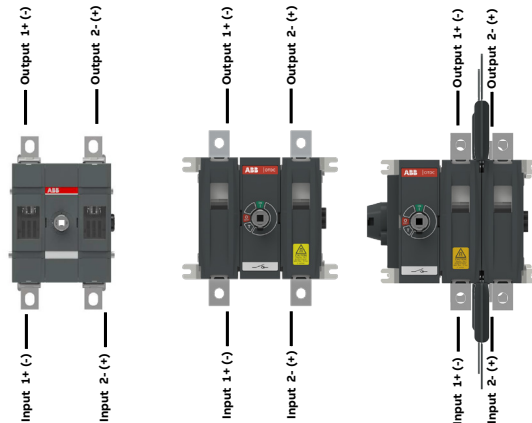
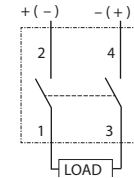
OTDC S1.0 and S2.0 Circuits

Single circuit 2a, 2b

2-pole, 4-wire, 1-circuit

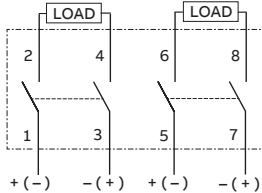


2-pole, 4-wire, 1-circuit
REVERSED SUPPLY

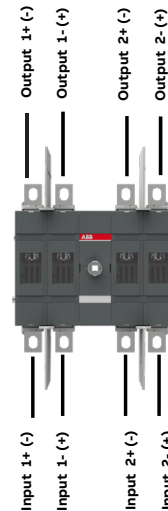
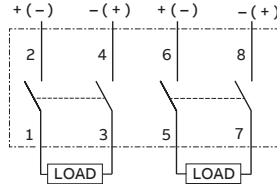


Double circuit 4a, 4c

4-pole, 4-wire, 2-circuit

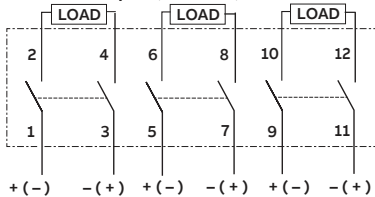


4-pole, 4-wire, 2-circuit
REVERSED SUPPLY

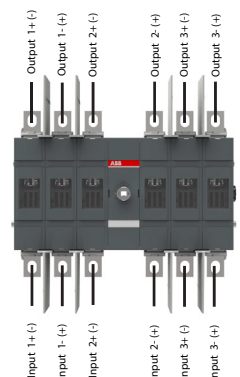
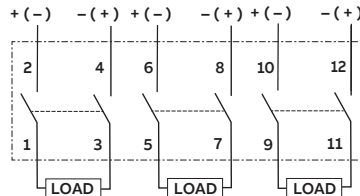


Triple circuit 7a, 7e

6-pole, 12-wire, 3-circuit

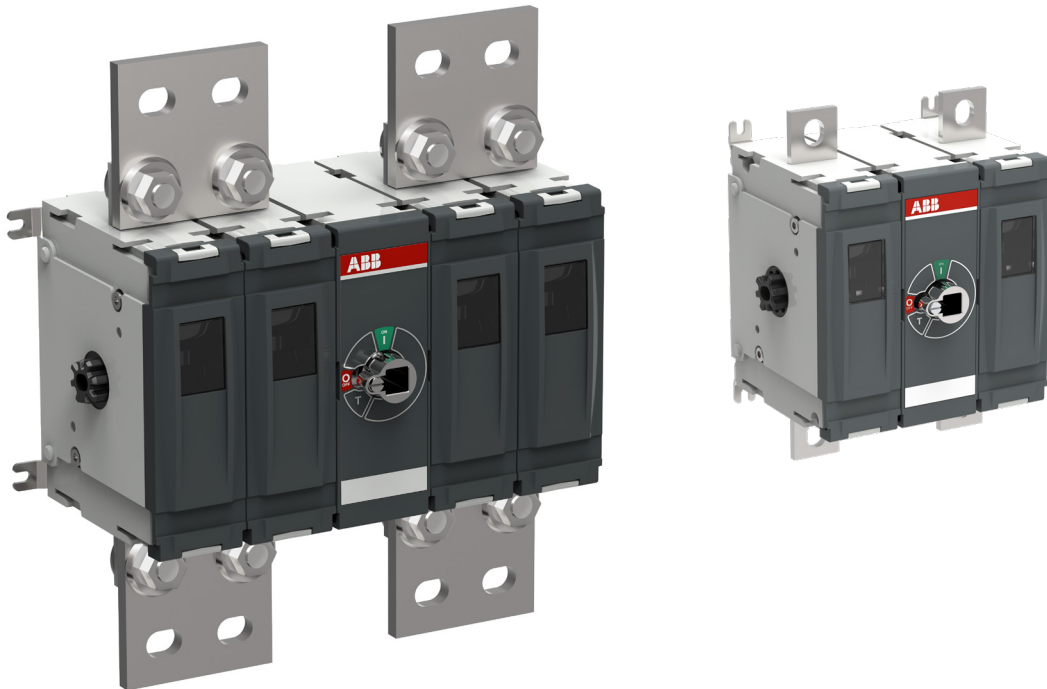


6-pole, 12-wire, 3-circuit
REVERSED SUPPLY



05

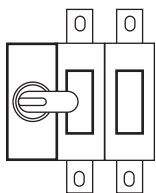
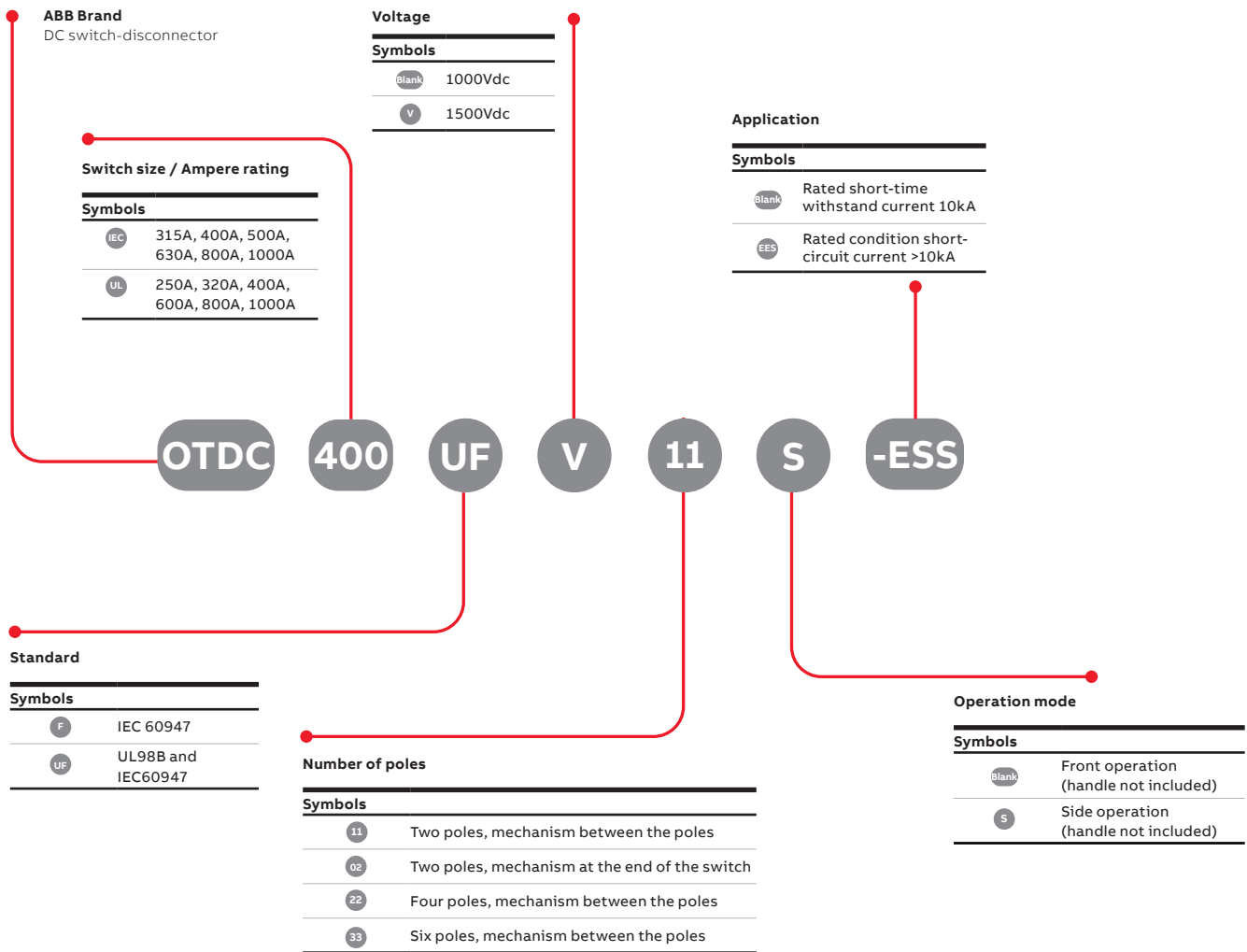
OTDC M-Series



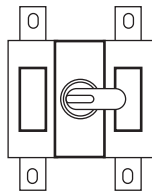
Overview of product range OTDC M-Series

Type codes and pole configuration table

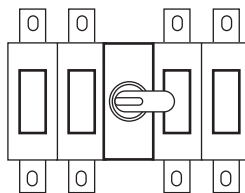
Explanation of the types OTDC M-Series from 315A up to 1000A (IEC) and 250A up to 1000A (UL98B)



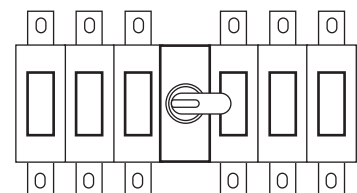
Configuration 02



Configuration 11



Configuration 22



Configuration 33

Technical data

OTDC M-Series IEC



OTDC315...800F_11



OTDC800...1000F_22

Technical data according to IEC 60947 for switch-disconnectors OTDC315F...1000F

Switch size				OTDC 315F_	OTDC 400F_	OTDC 500F_	OTDC 630F_	OTDC 800F_11	OTDC 800F_22	OTDC 1000F_22	
Rated insulation voltage U_i	Pollution degree 3		V	1500	1500	1500	1500	1500	1500	1500	
Rated impulse withstand voltage			kV	12	12	12	12	12	12	12	
Rated thermal current $I_{th}^{3)}$	In open air, normal conditions ²⁾		A	315	400	500	630	800	800	1000	
	In enclosure 40°C		A	315	400	500	630	630	800	1000	
	In enclosure 50°C		A	315	400	500	599	400	800	1000	
	In enclosure 60°C		A	293	352	415	498	523	664	830	
	In enclosure 80°C		A	195	232	275	328	347	440	550	
...with cable or bar cross section	Cu		mm ²	185	240	2x150	2x185	2x240	2x241	4x150	
Rated operational current I_e , poles in series	1000 V	1 circuit	2P (1P+, 1P-)	A	315	400	500	630	800	800 ³⁾	1000 ³⁾
		2 circuits	4P (2P+, 2P-)	A	315	400	500	630			
		3 circuits	6P (3P+, 3P-)	A	315	400	500	630			
	1500 V	1 circuit	2P (1P+, 1P-)	A	315	400	500	630	800	800 ³⁾	1000 ³⁾
		2 circuits	4P (2P+, 2P-)	A	315	400	500	630			
		3 circuits	6P (3P+, 3P-)	A	315	400	500	630			
	1000 V	1 circuit	2P (1P+, 1P-)	A	315	400	500	500	500	800 ³⁾	1000 ³⁾
		2 circuits	4P (2P+, 2P-)	A	315	400	500	500			
	1500 V	1 circuit	2P (1P+, 1P-)	A	315	400	500	500	500	800 ³⁾	1000 ³⁾
		2 circuits	4P (2P+, 2P-)	A	315	400	500	500			
	1000 V	1 circuit	2P (1P+, 1P-)	A	315	400	500	500/630 ³⁾	500	800 ³⁾	
		2 circuits	4P (2P+, 2P-)	A	315	400	500	500			
	1500 V	1 circuit	2P (1P+, 1P-)	A	315	400	500	500/630 ³⁾	500	800 ³⁾	
		2 circuits	4P (2P+, 2P-)	A	315	400	500	500			
	1000 V	1 circuit	2P (1P+, 1P-)	A	315	400	400	400	400		
		2 circuits	4P (2P+, 2P-)	A	315	400	400	400			
	1500 V	1 circuit	2P (1P+, 1P-)	A	315	400	400	400	400		
		2 circuits	4P (2P+, 2P-)	A	315	400	400	400			
	Rated short-time withstand current, 1500 V, 1 s	R.M.S. -value I_{cw}		kA	10	10	10	10	10	10	10
	Rated short circuit making capacity, 1500 V	Peak value I_{cm}		kA	10	10	10	10	10	10	10
Power loss/pole	At rated current		W	7-8	12-13	18-20	30-32	48-52	22-24	37-40	
Terminal bolt size	Metric thread diameter x length		mm	M10x30	M10x30	M12x40	M12x40	M12x40	M12x40	M12x40	
Terminal tightening torque	Counter torque required		Nm	30-44	30-44	50-75	50-75	50-75	50-75	50-75	
Mechanical Endurance	Cycles		-	10 000							
Operating altitude without derating			m	≤2000							

¹⁾ For more detailed derating please consult us. Installation condition may influence on the derating by increasing the possible rated current. The given deratings are references based on specific test setup.

²⁾ Normal conditions defined in IEC 60947-1, section 6.1

³⁾ 4-pole-types with 2-poles in parallel _22 models, OTDCKIT800FS11 is included to the package - installation mandatory

Technical data

OTDC M-Series UL



OTDC250...600UF_11



OTDC800...1000UF_22

Technical data in accordance to UL98B for photovoltaic disconnect switches OTDC250U...1000UF_
Suitable For Use in Photovoltaic Systems in Accordance With Article 690 of the NEC.

Switch size	OTDC250UF_ OTDC320UF_ OTDC400UF_ OTDC600UF_ OTDC800UF_22 OTDC1000UF_22							
UL Listed	Standard		UL98B	UL98B	UL98B	UL98B	UL98B	UL98B
Rated ambient temperature			°C -20...+50	-20...+50	-20...+50	-20...+50	-20...+50	-20...+50
Rated current ¹⁾	1000 V	1 circuit 2P (1P+, 1P-)	A 250	320	400	600	800 ²⁾	1000 ²⁾
		2 circuits 4P (2P+, 2P-)	A 250	320	400	600	-	-
	1500 V	1 circuit 2P (1P+, 1P-)	A 250	320	400	600	800 ²⁾	1000 ²⁾
		2 circuits 4P (2P+, 2P-)	A 250	320	400	600	-	-
Short circuit rating	1500 V	kA 10	10	10	10	10	10	
Required protection ³⁾		Any	Any	Any	Any	Any	Any	
Mechanical lug		OZXA 402	OZXA 402	OZXA 402	OZXA 604	OZXA 804	OZXA 804	
Wire range		2x AWG	2x AWG	2x AWG	4x AWG	4x AWG	4x AWG	
		6-300MCM	6-300MCM	6-300MCM	6-300MCM	2-600MCM	2-600MCM	
Tightening torque		lb-in. 275	275	275	275	500	500	
Technical data according to IEC 60947	See IEC table for type	OTDC315F_	OTDC400F_	OTDC500F_	OTDC630F_	OTDC800F_22	OTDC1000F_22	

¹⁾ For more detailed derating please consult us. Installation condition may influence on the derating. The given deratings are references based on specific test setup.

²⁾ 4-pole-types with 2-poles in parallel _22 models, OTDCKIT800FS11 is included to the package and installation is mandatory

³⁾ Any suitable PV fuse or PV circuit breaker

Technical data

OTDC M-Series for higher short-circuit currents IEC



OTDC315...630F_11-ESS



OTDC800...1000F_22-ESS

Technical data according to IEC 60947 for switch-disconnectors OTDC315F_...1000F_-ESS

Switch size			OTDC 315F_- ESS	OTDC 400F_- ESS	OTDC 500F_- ESS	OTDC 630F_- ESS	OTDC 800F_22- ESS	OTDC 1000F_22- ESS	
Rated insulation voltage U_i	Pollution degree 3		V	1500	1500	1500	1500	1500	
Rated impulse withstand voltage			kV	12	12	12	12	12	
Rated thermal current $I_{th}^{1)}$	In open air, normal conditions ²⁾		A	315	400	500	630	800	
	In enclosure 40°C		A	315	400	500	630	800	
	In enclosure 50°C		A	315	400	475	567	800	
	In enclosure 60°C		A	293	352	415	498	664	
	In enclosure 80°C		A	195	232	275	328	440	
...with cable or bar cross section	Cu		mm ²	185	240	2x150	2x185	2x240	
Rated operational current I_e	DC-21B	1000 V	A	315	400	500	630	800 ³⁾	1000 ³⁾
		1500 V	A	315	400	500	630	800 ³⁾	1000 ³⁾
Poles in series	DC-PV1	1000 V	A	315	400	500	500	800 ³⁾	1000 ³⁾
		1500 V	A	315	400	500	500	800 ³⁾	1000 ³⁾
	DC-PV2	1000 V	A	315	400	500	500/630 ³⁾	800 ³⁾	-
		1500 V	A	315	400	500	500/630 ³⁾	800 ³⁾	-
	DC-22B	1000 V	A	315	400	400	400	-	-
		1500 V	A	315	400	400	400	-	-
Rated short-time withstand current I_{cw} , 1500V	R.M.S. -value I_{cw}	1	kA	10	10	10	10	10	10
		0,1	kA	20	20	20	20	63	63
Rated short circuit making capacity I_{cm} , 1500V	Peak value, I_{cm}		kA	20	20	20	20	63	63
Rated conditional short-circuit current I_q , 1500V	R.M.S. - value I_q		kA	30	30	30	30	-	-
Required protection	Max. ETI fuse size gPV, L/R= 3 ms		A	500 ⁴⁾	500 ⁴⁾	500 ⁴⁾	500 ⁴⁾	-	-
Rated conditional short-circuit current I_{qr} , 1500V ⁵⁾	R.M.S. - value I_{qr} , L/R = 5 ms		kA	70	70	70	70	-	-
	Allowed let through peak		kA	29	29	29	29	-	-
	Allowed let through energy I^2t		MA ² s	2,3	2,3	2,3	2,3	-	-
Rated conditional short-circuit current I_{qr} , 1500V ⁵⁾	R.M.S. - value I_{qr} , L/R = 0.5 ms		kA	100	100	100	100	100	100
	Allowed let through peak		kA	53	53	53	53	70	70
	Allowed let through energy I^2t		MA ² s	1,1	1,1	1,1	1,1	2,4	2,4
Power loss/pole	At maximum rated current		W	7-8	12-13	18-20	30-32	22-24	37-40
Terminal bolt size	Metric thread diameter x length mm			M10x30	M10x30	M12x40	M12x40	M12x40	M12x40
Terminal tightening torque	Counter torque required		Nm	30-44	30-44	50-75	50-75	50-75	50-75
Mechanical Endurance	Cycles		-	10000					
Operating altitude without derating			m	≤ 2000					

¹⁾ For more detailed derating please consult us. Installation condition may have an influence on the derating by increasing the possible rated current. The given deratings are references based on specific test setup.

²⁾ Normal conditions defined in IEC 60947-1, section 6.1

³⁾ 4-pole-types with 2-poles in parallel _22 models, OTDCKIT800FS11 is included in the package and installation is mandatory

⁴⁾ Fuse manufacturer, size and type: ETI, 500A, Cat.no 004110 followed by 718, 723 or 728. More details from the fuse manufacturer catalog.

⁵⁾ Any fuse which does not exceed stated values can be used

Technical data

OTDC M-Series for higher short-circuit currents UL



OTDC250...400UF_11-ESS



OTDC800...1000UF_22-ESS

Technical data in accordance to UL98B for photovoltaic disconnect switches OTDC250...1000UF_ -ESS

Suitable for use in photovoltaic systems in accordance with article 690 of the NEC.

Switch size				OTDC 250UF_-ESS	OTDC 320UF_-ESS	OTDC 400UF_-ESS	OTDC 800UF_22-ESS	OTDC 1000UF_22-ESS
UL listed	Standard			UL98B	UL98B	UL98B	UL98B	UL98B
Rated ambient temperature without de-rating ¹⁾			°C	-20...+50 °C	-20...+50 °C	-20...+50 °C	-20...+50 °C	-20...+50 °C
Rated current	1000 V 1500 V	1 circuit 2P	A	250	320	400	800 ³⁾	1000 ³⁾
Short-circuit rating	1500 V	R.M.S. -value	kA	10	10	10	40	40
Required protection				Any ⁴⁾	Any ⁴⁾	Any ⁴⁾	Any ⁴⁾	Any ⁴⁾
Short-circuit rating	1500 V		kA	30	30	30	-	-
Required protection	Max. ETI fuse size gPV, L/R= 1 ms		A	400 ²⁾	400 ²⁾	400 ²⁾	-	-
Mechanical lug				OZXA 402	OZXA 402	OZXA 402	OZXA 804	OZXA 804
Wire range	MCM			2x AWG 6-300MCM	2x AWG 6-300MCM	2x AWG 6-300MCM	4x AWG 2-600MCM	4x AWG 2-600MCM
Terminal tightening torque			lb-in.	275	275	275	500	500
Technical data according to IEC 60947	See IEC table for type			OTDC 315F_-ESS	OTDC 400F_-ESS	OTDC 500F_-ESS	OTDC 800F_22-ESS	OTDC 1000F_22-ESS

¹⁾ For more detailed derating please consult us. Installation condition may have an influence on the derating. The given deratings are references based on specific test setup.

²⁾ Fuse manufacturer, size and type: ETI, 400A, Cat.no 004110 followed by 632, 637 or 642. More details from the fuse manufacturer catalog.

³⁾ 4-pole-types with 2-poles in parallel _22 models, OTDCKIT800FS11 is included in the package and installation is mandatory

⁴⁾ Any suitable PV fuse or PV circuit breaker

Ordering information, IEC

OTDC M-Series 315...1000A



OTDC315_800_F_11

Robust DC switch-disconnector for up to 1500V DC applications. The new design has a more compact size, higher efficiency and higher performance. The two-pole 1500V DC design that reduces switch power losses up to 50 %. The physical footprint is up to 80 % smaller than other solutions in the market. Handles and shafts are not included.

Voltage [Vdc]	Rated operational current [A]		Number of circuits	Circuit ¹⁾	Number of poles	Single package Type ²⁾	Order code
	DC-21B	DC-PV2					
Front operated, mechanism between the poles							
1000	315	315	1	2a, 2b	2	OTDC315F11	1SCA158172R1001
1000	400	400	1	2a, 2b	2	OTDC400F11	1SCA158196R1001
1000	500	500	1	2a, 2b	2	OTDC500F11	1SCA158220R1001
1000	630	500	1	2a, 2b	2	OTDC630F11	1SCA158244R1001
1000	800	500	1	2a, 2b	2	OTDC800F11	1SCA158853R1001
1000	630	630	1	6c, 6g	4	OTDC630F22-PV2	1SCA161682R1001
1000	800	800	1	6c, 6g	4	OTDC800F22-PV2	1SCA161684R1001
1000	800	-	1	6c, 6g	4	OTDC800F22	1SCA160619R1001
1000	1000	-	1	6c, 6g	4	OTDC1000F22	1SCA161286R1001
1000	315	315	2	4a, 4c	4	OTDC315F22	1SCA158294R1001
1000	400	400	2	4a, 4c	4	OTDC400F22	1SCA158298R1001
1000	500	500	2	4a, 4c	4	OTDC500F22	1SCA158302R1001
1000	630	500	2	4a, 4c	4	OTDC630F22	1SCA158306R1001
1000	315	-	3	7a, 7e	6	OTDC315F33	1SCA158286R1001
1000	400	-	3	7a, 7e	6	OTDC400F33	1SCA158287R1001
1000	500	-	3	7a, 7e	6	OTDC500F33	1SCA158288R1001
1500	315	315	1	2a, 2b	2	OTDC315FV11	1SCA158178R1001
1500	400	400	1	2a, 2b	2	OTDC400FV11	1SCA158202R1001
1500	500	500	1	2a, 2b	2	OTDC500FV11	1SCA158226R1001
1500	630	500	1	2a, 2b	2	OTDC630FV11	1SCA158250R1001
1500	800	500	1	2a, 2b	2	OTDC800FV11	1SCA158856R1001
1500	630	630	1	6c, 6g	4	OTDC630FV22-PV2	1SCA161683R1001
1500	800	800	1	6c, 6g	4	OTDC800FV22-PV2	1SCA161685R1001
1500	800	-	1	6c, 6g	4	OTDC800FV22	1SCA161280R1001
1500	1000	-	1	6c, 6g	4	OTDC1000FV22	1SCA161288R1001
1500	315	315	2	4a, 4c	4	OTDC315FV22	1SCA158295R1001
1500	400	400	2	4a, 4c	4	OTDC400FV22	1SCA158299R1001
1500	500	500	2	4a, 4c	4	OTDC500FV22	1SCA158303R1001
1500	630	500	2	4a, 4c	4	OTDC630FV22	1SCA158307R1001
1500	315	-	3	7a, 7e	6	OTDC315FV33	1SCA158844R1001
1500	400	-	3	7a, 7e	6	OTDC400FV33	1SCA158847R1001
1500	500	-	3	7a, 7e	6	OTDC500FV33	1SCA158850R1001
Side operated, mechanism at the end of the switch							
1000	315	315	1	2a, 2b	2	OTDC315F02S	1SCA160644R1001
1000	400	400	1	2a, 2b	2	OTDC400F02S	1SCA161230R1001
1000	500	500	1	2a, 2b	2	OTDC500F02S	1SCA161235R1001
1000	630	500	1	2a, 2b	2	OTDC630F02S	1SCA161266R1001
1500	315	315	1	2a, 2b	2	OTDC315FV02S	1SCA161226R1001
1500	400	400	1	2a, 2b	2	OTDC400FV02S	1SCA161232R1001
1500	500	500	1	2a, 2b	2	OTDC500FV02S	1SCA161237R1001
1500	630	500	1	2a, 2b	2	OTDC630FV02S	1SCA161268R1001

¹⁾ Circuit connection 6c, 6g - Connection bar kit OTDCKIT800FS11 included with the package - Installation mandatory

Please see floating circuit from page 50 and the grounded circuits in page 60-61. Single circuit 1a and double circuit 3 with connection bar kit accessories.

²⁾ Phase barriers are included to pole configurations _22/_33/_02 - Installation mandatory. You can find the accessories starting from page 51 and dimensional drawings starting from page 65

Ordering information, UL

OTDC M-Series 250...1000A



OTDC 250...600UF_11

Robust DC switch-disconnector for up to 1500V DC applications. The new design has a more compact size, higher efficiency and performance. The two-pole 1500V DC design that reduces switch power losses up to 50%. The physical footprint is up to 80% smaller than other solutions in the market. Handles and shafts are not included.

Voltage [Vdc]	Rated operational current [A]		Number of circuits	Circuit ¹⁾	Number of poles	Single package Type ²⁾	Order code
	UL98B	IEC60947-3					
Front operated, mechanism between the poles							
1000	250	315	1	2a, 2b	2	OTDC250UF11	1SCA158160R1001
1000	320	400	1	2a, 2b	2	OTDC320UF11	1SCA158184R1001
1000	400	500	1	2a, 2b	2	OTDC400UF11	1SCA158209R1001
1000	600	630	1	2a, 2b	2	OTDC600UF11	1SCA158233R1001
1000	800	800	1	6c, 6g	4	OTDC800UF22	1SCA161282R1001
1000	1000	1000	1	6c, 6g	4	OTDC1000UF22	1SCA161290R1001
1000	250	315	2	4a, 4c	4	OTDC250UF22	1SCA158292R1001
1000	320	400	2	4a, 4c	4	OTDC320UF22	1SCA158296R1001
1000	400	500	2	4a, 4c	4	OTDC400UF22	1SCA158300R1001
1000	600	630	2	4a, 4c	4	OTDC600UF22	1SCA158304R1001
1500	250	800	1	2a, 2b	2	OTDC250UFV11	1SCA158166R1001
1500	320	630	1	2a, 2b	4	OTDC320UFV11	1SCA158190R1001
1500	400	800	1	2a, 2b	4	OTDC400UFV11	1SCA158215R1001
1500	600	315	1	2a, 2b	2	OTDC600UFV11	1SCA158239R1001
1500	800	800	1	6c, 6g	4	OTDC800UFV22	1SCA161284R1001
1500	1000	1000	1	6c, 6g	4	OTDC1000UFV22	1SCA161292R1001
1500	250	315	2	4a, 4c	4	OTDC250UFV22	1SCA158293R1001
1500	320	400	2	4a, 4c	4	OTDC320UFV22	1SCA158297R1001
1500	400	500	2	4a, 4c	4	OTDC400UFV22	1SCA158301R1001
1500	600	630	2	4a, 4c	4	OTDC600UFV22	1SCA158305R1001
Side operated, mechanism at the end of the switch							
1000	250	315	1	2a, 2b	2	OTDC250UF02S	1SCA161224R1001
1000	320	400	1	2a, 2b	2	OTDC320UF02S	1SCA161228R1001
1000	400	500	1	2a, 2b	2	OTDC400UF02S	1SCA161234R1001
1000	600	630	1	2a, 2b	2	OTDC600UF02S	1SCA161258R1001
1500	250	315	1	2a, 2b	2	OTDC250UFV02S	1SCA161243R1001
1500	320	400	1	2a, 2b	2	OTDC320UFV02S	1SCA161249R1001
1500	400	500	1	2a, 2b	2	OTDC400UFV02S	1SCA161256R1001
1500	600	630	1	2a, 2b	2	OTDC600UFV02S	1SCA161264R1001

¹⁾ Circuit connection 6c, 6g - Connection bar kit OTDCKIT800FS11 included with the package - Installation mandatory
Please see floating circuit in page 50 and the grounded circuits in page 60-61. Single circuit 1a and double circuit 3 with connection bar kit accessories.

²⁾ Phase barriers are included to pole configurations _22/_02 - Installation mandatory.
You can find the accessories starting from page 51 and dimensional drawings starting from page 65.

Ordering information, IEC and UL

OTDC M-Series 250...1000A for higher short-circuit current



OTDC315_630_F_11-ESS

Robust DC switch-disconnector for up to 1500V DC applications covering 315-1000A (IEC) and 250-1000A (UL) current range. The new design offers higher short-circuit ratings for the OTDC switches up to 100kA. Handles and shafts are not included.

IEC Ordering information

Voltage [Vdc]	Rated operational current [A]		Number of circuits	Circuit ¹⁾	Number of poles	Single package Type	Order code
	DC-21B	DC-PV2					
Front operated, mechanism between the poles							
1000	315	315	1	2a, 2b	2	OTDC315F11-ESS	1SCA158173R1001
1000	400	400	1	2a, 2b	2	OTDC400F11-ESS	1SCA158197R1001
1000	500	500	1	2a, 2b	2	OTDC500F11-ESS	1SCA158221R1001
1000	630	500	1	2a, 2b	2	OTDC630F11-ESS	1SCA158245R1001
1000	800	-	1	6c, 6g	4	OTDC800F22-ESS	1SCA161279R1001
1000	1000	-	1	6c, 6g	4	OTDC1000F22-ESS	1SCA161287R1001
1500	315	315	1	2a, 2b	2	OTDC315FV11-ESS	1SCA158179R1001
1500	400	400	1	2a, 2b	2	OTDC400FV11-ESS	1SCA158203R1001
1500	500	500	1	2a, 2b	2	OTDC500FV11-ESS	1SCA158227R1001
1500	630	500	1	2a, 2b	2	OTDC630FV11-ESS	1SCA158251R1001
1500	800	-	1	6c, 6g	4	OTDC800FV22-ESS	1SCA161281R1001
1500	1000	-	1	6c, 6g	4	OTDC1000FV22-ESS	1SCA161289R1001

UL Ordering information

Voltage [Vdc]	Rated operational current [A]		Number of circuits	Circuit ¹⁾	Number of poles	Single package Type	Order code
	UL98B	IEC60947-3					
Front operated, mechanism between the poles							
1000	250	315	1	2a, 2b	2	OTDC250UF11-ESS	1SCA158161R1001
1000	320	400	1	2a, 2b	2	OTDC320UF11-ESS	1SCA158185R1001
1000	400	500	1	2a, 2b	2	OTDC400UF11-ESS	1SCA158210R1001
1000	800	800	1	6c, 6g	4	OTDC800UF22-ESS	1SCA161283R1001
1000	1000	1000	1	6c, 6g	4	OTDC1000UF22-ESS	1SCA161291R1001
1500	250	800	1	2a, 2b	2	OTDC250UFV11-ESS	1SCA158167R1001
1500	320	630	1	2a, 2b	4	OTDC320UFV11-ESS	1SCA158191R1001
1500	400	800	1	2a, 2b	4	OTDC400UFV11-ESS	1SCA158216R1001
1500	800	800	1	6c, 6g	4	OTDC800UFV22-ESS	1SCA161285R1001
1500	1000	1000	1	6c, 6g	4	OTDC1000UFV22-ESS	1SCA161293R1001

¹⁾ Circuit connection 6c, 6g - Connection bar kit OTDCKIT800FS11 included with the package - Installation mandatory

Please see floating circuit in page 50 and the grounded circuits in page 60-61. Single circuit 1a and double circuit 3 with connection bar kit accessories.

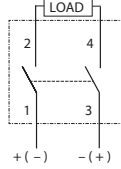
You can find the accessories starting from page 51 and dimensional drawings starting from page 65.

Ordering information, IEC and UL

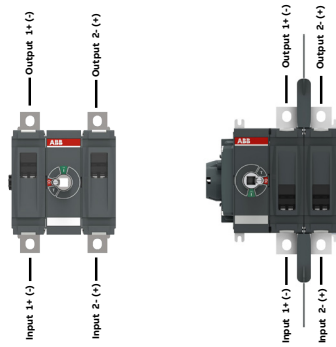
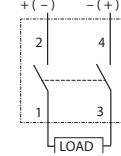
OTDC M Circuits IEC and UL

Single circuit 2a, 2b

2-pole, 4-wire, 1-circuit

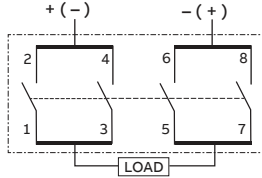


2-pole, 4-wire, 1-circuit
REVERSED SUPPLY

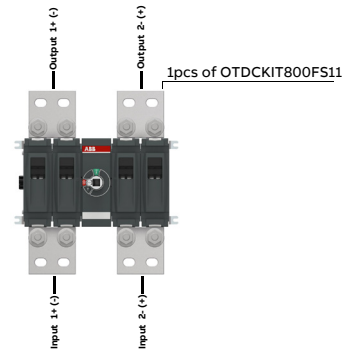
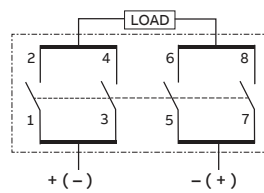


Single circuit 6c, 6g

4-pole, 4-wire
1-circuit
SUPPLY

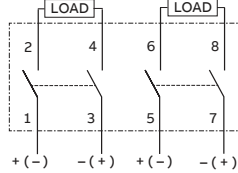


4-pole, 4-wire
1-circuit
REVERSED SUPPLY

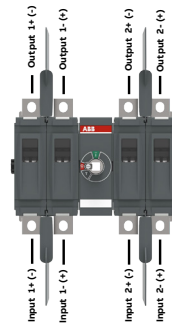
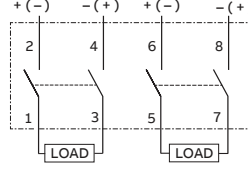


Double circuit 4a, 4c

4-pole, 4-wire, 2-circuit

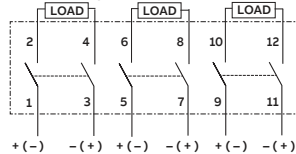


4-pole, 4-wire, 2-circuit
REVERSED SUPPLY

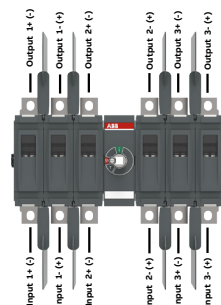
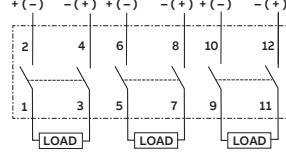


Triple circuit 7a, 7e

6-pole, 12-wire, 3-circuit



6-pole, 12-wire, 3-circuit
REVERSED SUPPLY



06

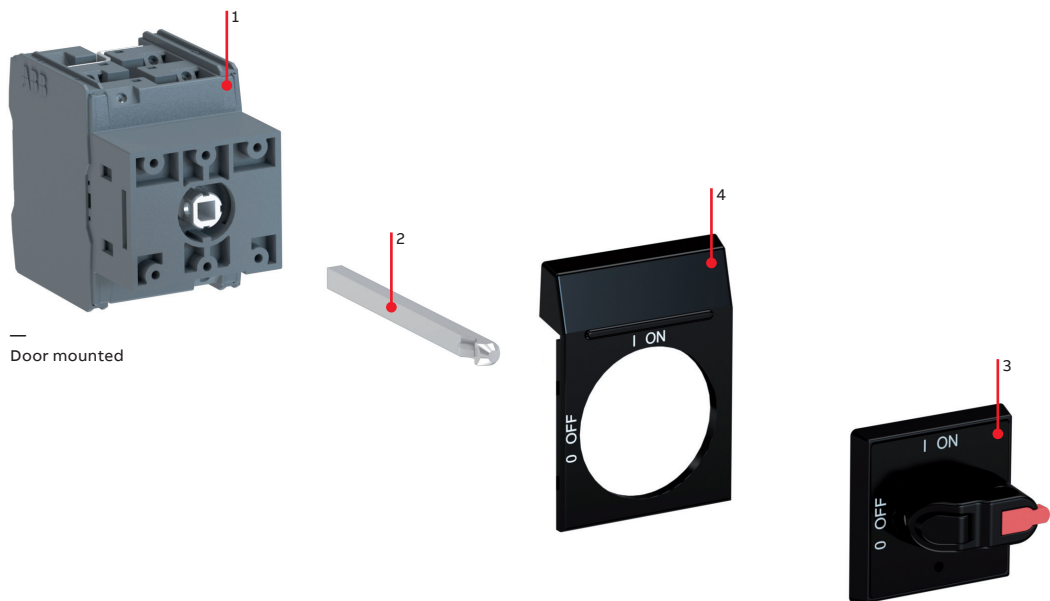
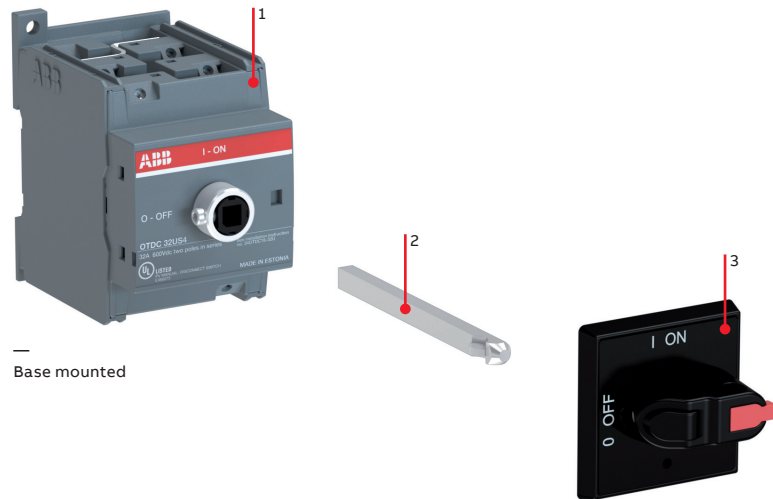
Accessories

DC switch-disconnectors accessory guide

XS-Series

1. Switch-disconnector
2. Shaft
3. Selector handle (options for direct mount or external mount with a shaft available)
4. Legend plate

Please note that not all listed accessories are automatically included in your order. See next page for recommendations.



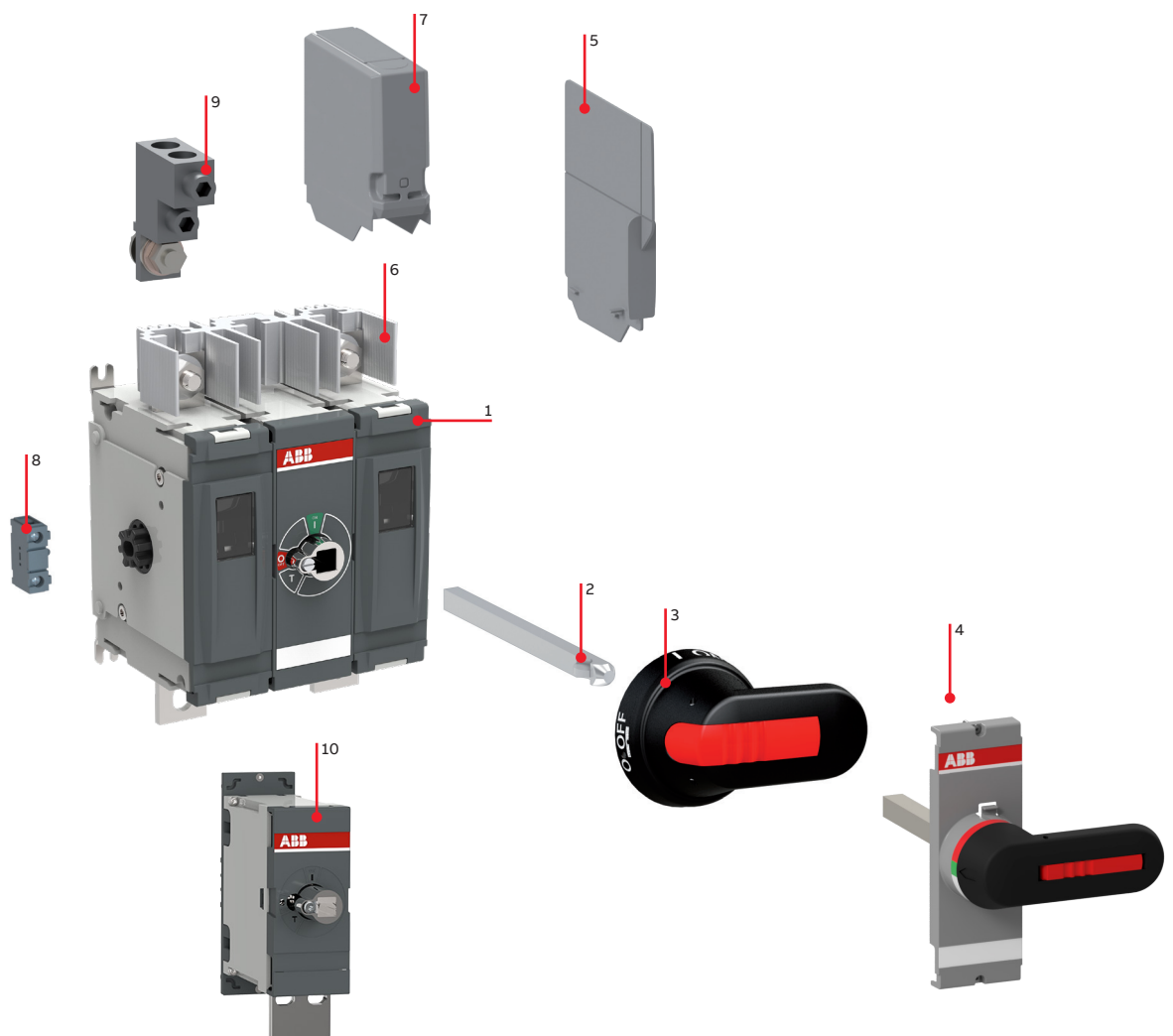
NOTE: The information in this image applies to both IEC and UL versions of the depicted product.

DC switch-disconnectors accessory guide

S and M-Series

1. Switch-disconnector
2. Shaft
3. Pistol handle
4. Direct mount handle
5. Phase barrier
6. Connection bar
7. Shroud
8. Auxiliary contact
9. Mechanical lug
10. Electrical interlock

Please note that not all listed accessories are automatically included in your order. See next page for recommendations.



Ordering information for accessories IEC and UL

Handle knobs

Handle knobs for base and DIN rail mounted switches

Mounting directly to the switch, no shaft needed, for base and DIN-rail mounted switches. Padlockable with one padlock with bail diameter 5 mm, see the table below. OTDC16...32F_ types already include knob handles in the delivery. For OTDC16...32U_ types, knob handles need to be ordered separately.



OHBS1



OHR2



OHR3

Color	Handle length [mm]	Type	Order code
Suitable for switches OTDC16...32_			
Black	31	OHBS1	1SCA109087R1001
Black	31	OHBS1/1	1SCA109088R1001
Red	31	OHR1	1SCA109095R1001
Red	31	OHR1/1	1SCA109096R1001
Black	40	OHBS2	1SCA109089R1001
Black	40	OHBS2/1	1SCA109090R1001
Red	40	OHR2	1SCA108598R1001
Red	40	OHR2/1	1SCA108599R1001
Black	39	OHBS3	1SCA108320R1001
Black	39	OHBS3/1	1SCA108319R1001
Red	39	OHR3	1SCA108667R1001
Red	39	OHR3/1	1SCA108688R1001

Special information for handle knobs

Handle type	Padlockable	Shaft through the handle	45 mm cut-out enable ^{*)}
OHBS1_, OHR1_	No	No	Yes
OHBS2_, OHR2_	Yes	No	Yes
OHBS3_, OHR3_	No	No	Yes

^{*)} In I-position, the handle shall remain within the cut-out height

Ordering information for accessories IEC and UL

Selector Handles and Shafts



OHBS3PH



OHBS2PJ



OHYS3RH



OHYS2RJ



OHBS3



OHBS2

Selector handles, for door mounted OTDC16...32_T
Indication I-O and ON-OFF. No separate shaft needed.

Color	Padlocking	Degree of protection	Type	Order code
Snap-on mounting, door drilling 22,5 mm, for OTDC16...32_T				
Black	No padlocking	IP54, NEMA 1	OHBS1PH	1SCA105211R1001
Red-Yellow	No padlocking	IP54, NEMA 1	OHYS1PH	1SCA105294R1001
Black	Yes with 1 padlock	IP54, NEMA 1	OHBS3PH	1SCA105236R1001
Red-Yellow	Yes with 1 padlock	IP54, NEMA 1	OHYS3PH	1SCA105327R1001
Black	Yes with max.3 padlocks	IP65, NEMA 1, 3R, 12	OHBS2PJ	1SCA105231R1001
Red-Yellow	Yes with max.3 padlocks	IP65, NEMA 1, 3R, 12	OHYS2PJ	1SCA105322R1001
Screw mounting, hole distance 36 mm, for OTDC16...32_T				
Black	No padlocking	IP54, NEMA 1	OHBS1RH	1SCA105212R1001
Red-Yellow	No padlocking	IP54, NEMA 1	OHYS1RH	1SCA105295R1001
Black	Yes with 1 padlock	IP54, NEMA 1	OHBS3RH	1SCA105237R1001
Red-Yellow	Yes with 1 padlock	IP54, NEMA 1	OHYS3RH	1SCA105328R1001
Black	Yes with max.3 padlocks	IP65 ^{*)} , NEMA 1, 3R, 12	OHBS2RJ	1SCA105232R1001
Red-Yellow	Yes with max.3 padlocks	IP65 ^{*)} , NEMA 1, 3R, 12	OHYS2RJ	1SCA105323R1001

^{*)}hole distance 36/48 mm

Selector handles for base and DIN-rail mounted OTDC16...32_
Indication I-O and ON-OFF, for shaft diameter 6 mm, door drilling 22.5 mm. Shafts are not included

Color	Padlocking and door interlock	Degree of Protection	Type	Order code
Black	No padlocking	IP54, NEMA 1	OHBS1AH	1SCA102680R1001
Black	No padlocking, door interlocking in ON-position	IP54, NEMA 1	OHBS1AH1	1SCA105210R1001
Black	With 1 padlock (bail diameter 5...6.3 mm)	IP54, NEMA 1	OHBS3AH	1SCA105234R1001
Black	With 1 padlock (bail diameter 5...6.3 mm), door interlocking in ON-position	IP54, NEMA 1	OHBS3AH1	1SCA105235R1001
Black	With max.3 padlocks (bail diameter 5...8mm), door interlocking in ON-position, defetable	IP65, NEMA 1, 3R, 12	OHBS2AJ	1SCA105213R1001
Black	With max.3 padlocks (bail diameter 5...8mm), door interlocking in ON-position	IP65, NEMA 1, 3R, 12	OHBS2AJ1	1SCA105215R1001
Selector handle with metal hasp				
Black	With max.3 padlocks (bail diameter 5...8mm), door interlocking in ON-position, defetable	IP65, NEMA 1, 3R, 12	OHBS2AJEH	1SCA108230R1001
Black	With max.3 padlocks (bail diameter 5...8mm), door interlocking in ON-position, non-defetable	IP65, NEMA 1, 3R, 12	OHBS2AJ1EH	1SCA105217R1001

Door interlocking in ON-position prevents the door from opening when the handle is in ON-position. This can be defeated in IP65 types to allow authorized personnel access for inspection. The padlocked handle is not defeatable.

Shafts for selector handles

Shaft length [mm]	H [mm]	Type	Order code
Suitable for switches OTDC16...32_ shaft diameter 6 mm			
85		OXS6X85	1SCA101647R1001
105		OXS6X105	1SCA108043R1001
120		OXS6X120	1SCA101654R1001
130	See dimension drawings	OXS6X130	1SCA101655R1001
160		OXS6X160	1SCA101656R1001
180		OXS6X180	1SCA101659R1001
250		OXS6X250	1SCA101660R1001



OXS6X_

Ordering information for accessories IEC and UL Handles



OTDV200GK



OTDV400FK1



OHB_

Direct Mount Handles for front operated OTDC Switch-disconnectors

Indication Test-OFF-ON/Test-O-I. Padlockable with three padlocks in OFF-position. Includes shaft and mechanism cover.

Color	Handle length [mm]	Suitable for switches	Type	Order code
Black	65	OTDC S1.0 - OTDC100...250E_	OTDV250EK	1SCA127390R1001
Red-Yellow		OTDC100...200U_	OTDVY250EK	1SCA127391R1001
Black	65	OTDC S2.0 - OTDC100...250G_	OTDV200GK	1SCA161864R1001
Black	95	OTDC M - OTDC315...1000F_	OTDV400FK1	1SCA157315R1001
Black	145	OTDC250...1000UF_ *)	OTDV400FK2	1SCA157316R1001

*) Recommend length: 95 mm for 2-pole configuration, 145 mm for 4- and 6-pole configurations.

Pistol handles OH_ handles for front operation: IP 65, NEMA 1,3R, 12

Padlockable with three padlocks in OFF-position, door interlock in ON-position. Screw fixing from the back side of the handle ensures double insulation. Shaft not included

Color	Handle length [mm]	Shaft diameter	Suitable for switches	Type	Order code
Indication in types OHB and OHY: I-0, ON-OFF, in types OHG: I-0					
Black	65	6	OTDC S1.0 - OTDC100...250E_	OHB65J6	1SCA022380R9660
			OTDC100...200U_		
Grey	65	6	OTDC S2.0 - OTDC100...250G_	OHG65J6	1SCA022380R9740
Black	80	6	OTDC S1.0 - OTDC100...250E_	OHB80J6	1SCA022381R0240
Grey	80	6	OTDC100...200U_	OHG80J6	1SCA105327R1001
Black	95	12		OHB95J12	1SCA022381R0830
Grey	95	12		OHG95J12	1SCA022381R0910
Black	125	12		OHB125J12	1SCA022381R1560
Red-Yellow	125	12	OTDC M - OTDC315...1000F_	OHY125J12	1SCA022381R1720
Grey	125	12	OTDC250...1000UF_ *)	OHG125J12	1SCA022381R1640
Black	145	12		OHB145J12	1SCA022381R2110
Indication: Test-OFF-ON/Test-O-I					
Black	65	6	OTDC S1.0 - OTDC100...250E_	OHB65J6T	1SCA022381R0320
			OTDC100...245U_		
			OTDC S2.0 - OTDC100...250G_		
Black	95	12	OTDC M2.0 - OTDC315...1000F_	OHB95J12T	1SCA022736R1750
Black	125	12	OTDC250...1000UF_	OHB125J12T	1SCA022652R2220

Door interlocking in ON-position prevents the door from opening when the handle is in ON-position. This can be defeated in IP65 types to allow authorized personnel access for inspection. NEMA 4, 4x pistol handles available on request. Handles padlockable in all positions available on request.

*) Recommend length: 95 mm for 2-pole configuration, 145 mm for 4- and 6-pole configurations.

Ordering information for accessories IEC and UL

Shafts



—
OX P6X

Shafts for pistol handles

Shaft length [mm]	H [mm]	Type	Order code
Suitable for switches OTDC S1.0 and OTDC S2.0, shaft diameter 6 mm			
130	109...174	OX P6X130	1SCA022057R0570
150	129...194	OX P6X150	1SCA022295R5600
161	140...205	OX P6X161	1SCA022067R1760
210	189...254	OX P6X210	1SCA022295R6080
Suitable for switches OTDC M - OTDC315...1000F_, OTDC250...1000UF_, shaft diameter 12 mm			
166	146...226	OX P12X166	1SCA022325R7100
185	165...245	OX P12X185	1SCA022325R6710
250	230...310	OX P12X250	1SCA022325R6980
280	260...340	OX P12X280	1SCA022137R5140
325	305...385	OX P12X325	1SCA022042R5810
395	445...525	OX P12X395	1SCA022042R5990
465	439...519	OX P12X465	1SCA022042R6020
535	515...595	OX P12X535	1SCA022042R6110

Longer shafts available on request

Recommend shafts: 210 mm shaft for OTDC S1.0 and S2.0-Series, 185mm shaft for OTDC M-Series.

Ordering information for accessories IEC and UL

Phase barriers and terminal shroud kits



OTDCB250/2



OTDCB200G/2



OTDCB400F/2



OTS250G1L



OTS250T1L



OTDCS200GG1



OTDCS400FG1

Phase barrier kit

Plastic phase separators for maintaining 1" clearance between the phases without terminal shrouds. Snap-on mounting. Phase barriers included as standard in OTDC switches with pole configuration 02/20/22/33, installation is mandatory.

Color	Suitable for switches	Type	Order code	Pieces/ Package
White	OTDC S1.0 - OTDC100...250E_ OTDC100...200U_	OTDCB250/2	1SCA148901R1001	2
Grey	OTDC S2.0 - OTDC100...250G_ OTDC100...200UG_	OTDCB200G/2	1SCA161883R1001	2
Grey	OTDC M - OTDC315...1000F_ OTDC250...1000UF_	OTDCB400F/2	1SCA157314R1001	2

Terminal shroud kit

Plastic terminal shrouds. The terminal shroud kits for OTDC S2.0 and OTDC M-Series can be used with UL mechanical lugs.

Color	Suitable for switches	Type	Order code	Pieces/ Package
Grey	OTDC S1.0 - OTDC100...250E_ OTDC100...245U_	OTS250G1L	1SCA022715R5340	1
Transparent	OTDC S1.0 - OTDC100...250E_ OTDC100...245U_	OTS250T1L	1SCA022726R0640	1
Grey	OTDC S2.0 - OTDC100...250G_ OTDC100...250UG_	OTDCS200GG1	1SCA161884R1001	1
Grey	OTDC M - OTDC315...800F_ OTDC250...600UF_	OTDCS400FG1	1SCA157308R1001	1
Transparent	OTDC M - OTDC315...800F_ OTDC250...600UF_	OTDCS400FT1	1SCA157309R1001	1

Ordering information for accessories IEC and UL

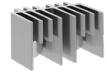
Connection bar kits and circuits



OEZXY91



OTDCKIT250S11



OTDCKIT250GS11



OTDCKIT250GS101



OTDCKIT400FS101



OTDCKIT600FS101



OTDCKIT400FS11



OTDCKIT600FS11



OTDCKIT800FS11

Connection bar kits

The kits include the necessary mounting hardware. The kits include the necessary mounting hardware. Grounded circuits 1a and 3 can be created by installing connection bar kits to OTDC switches.

Suitable for switches	Type	Order code	Pieces/ Package	
OTDC S1.0	OTDC100...200U_11	OEZXY91	1SCA125290R1001	1
	OTDC100...250E_22, OTDC100...200U_22	OTDCKIT250S11	1SCA148902R1001	1
OTDC S2.0	OTDC100...250_G_11	OTDCKIT250GS101	1SCA161881R1001	1
	OTDC100...250_G_22/02S	OTDCKIT250GS11	1SCA161882R1001	1
OTDC M	OTDC250...400-F_11	OTDCKIT400FS101	1SCA157317R1001	1
	OTDC600...630UF_11	OTDCKIT600FS101	1SCA157319R1001	1
	OTDC250...400-F_22/02S	OTDCKIT400FS11	1SCA157318R1001	2
	OTDC600...630UF_22/02S	OTDCKIT600FS11	1SCA157320R1001	2
	OTDC800...1000-F_22	OTDCKIT800FS11 ¹⁾	1SCA160635R1001	4

¹⁾ Connection bar kit OTDCKIT800FS11 included with the package - Installation mandatory
See grounded circuits 1a and 3 from pages 60-61.

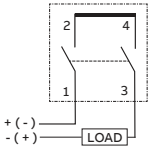
Ordering information for accessories IEC and UL

Connection bar kits and circuits








Connection bar kits to create single circuit 1a

Circuit 1a

2-pole, 2-wire, 1-circuit



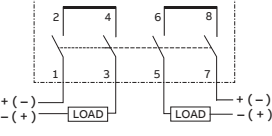
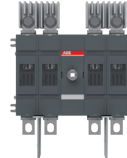



For grounded systems

	Suitable for switches			Connection bar kit	Order code	Required kit qty	Connection bars pcs/kit
	OTDC S1.0	OTDC100...250_11		OEZXY91	1SCA125290R1001	1	1
	OTDC S2.0	OTDC100...250_G_11		OTDCKIT250GS101	1SCA161881R1001	1	1
		OTDC100...250_G_02S		OTDCKIT250GS11	1SCA161882R1001	1	1
	OTDC M	OTDC250...400_F_11		OTDCKIT400FS101	1SCA157317R1001	1	1
		OTDC600...630_F_11		OTDCKIT600FS101	1SCA157319R1001	1	1
		OTDC250...400_F_02S		OTDC400FS11	1SCA157318R1001	1	2
		OTDC600...630_F_02S		OTDC600FS11	1SCA157320R1001	1	2

Ordering information for accessories IEC and UL

Connection bar kits and circuits

Connection bar kits to create Double circuit 3

	Suitable for switches	Connection bar kit	Order code	Required kit qty	Connection bars pcs/kit
Circuit 3 4-pole, 4-wire, 2-circuit  For grounded systems	OTDC S1.0 OTDC100...250E_22, OTDC100...200U_22		OTDCKIT250S11 1SCA148902R1001	2	1
	OTDC S2.0 OTDC100...250_G_22		OTDCKIT250GS11 1SCA161882R1001	2	1
	OTDC M OTDC250...400_F_22		OTDCKIT400FS11 1SCA157318R1001	1	2
	OTDC600...630_F_22		OTDCKIT600FS11 1SCA157320R1001	1	2

Circuit 3, complies with the Australian installation regulations:

1 PV circuit for Australian installations, compliant with AS/NZS 5033 : 2014.

OTDC 2.0 and OTDC M-Series have the mandatory DC-PV2 utilization category ratings, please see the technical data pages for more information.

Ordering information for accessories IEC and UL

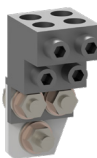
Mechanical lugs



OZXA200



OZXA402



OZXA604



OZXA100



OZXA252

Mechanical lugs

Mechanical lugs for Al and Cu cables for IEC OTDC switch-disconnectors

Suitable for switches	Cable cross section [mm ²]	Type	Order code	Pieces/Package
OTDC S1.0 OTDC100...250E_	10...70	OZXB1L/1	1SCA022194R0030	1
	25...120	OZXB2/1	1SCA022194R0200	1
	25...120	OZXB2L/1	1SCA022194R0460	1

Mechanical lugs

Mechanical lugs for Al and Cu cables for UL OTDC switch-disconnectors

Suitable for switches	Wire range AWG	Type	Order code	Kits/Circuit	Pieces/Package
OTDC S1.0 OTDC100...200U_	AWG 4 - 300MCM	OZXA200	OZXA-200/4	1	4
OTDC S2.0	OTDC100UG_ AWG 14-10 AWG 8 AWG 6-4 AWG 3-2/0	OZXA100	OZXA-100/4P	1	4
	OTDC100...200UG_	OZXA200	OZXA-200/4	1	4
	OTDC250UG_	OZXA252	OZXA-252/4	1	4
OTDC M	OTDC250...400UF_	OZXA402	OZXA-402/4	1	4
	OTDC600UF_	OZXA604	OZXA-604	2	4
	OTDC800...1000UF_	OZXA804	OZXA-804	2	4

Ordering information for accessories IEC and UL

Auxiliary contacts

Auxiliary contact blocks, IP20

Contact numbering according to EN 50013. The type and the ordering numbers are for one piece.



OA1G10, OA3G01

Auxiliary contacts

Mounting under the mechanism cover.

OTDC S1.0 - OTDC100...250E, OTDC100...200U_: Max. 4 test contacts or 2 test contacts + 2 test indication contacts.

OTDC S2.0 - OTDC100...250G, OTDC100...250UG_: Max. 1 test contact + 1 test indication contact.

OTDC M - OTDC315...1000F_, OTDC250...1000UF_: Max. 4 test contacts + 4 test indication contacts.

Suitable for switches	Function	Type	Order code	Pieces/Package
	1NO	OA1G10	1SCA022353R4970	10
OTDC100...1000_	1NC	OA3G01	1SCA022456R7410	10

Module for auxiliary contacts

Screw mounting to the left side of the switch. Max. 8 auxiliary contact blocks with the OEA28 module.

Suitable for switches	Type	Order code	Pieces/Package
OTDC S1.0 - OTDC100...250E, OTDC100...200U_	OEA28	1SCA022714R8810	1

Performance data according to IEC 60947-5-1

For OA1G, OA3G

U _e /[VAC]	AC15		DC12		DC13	
	I _e /[A]	U _e /[VDC]	I _e /[A]	P/[W]	I _e /[A]	P/[W]
230	6	24	10	240	2	50
400	4	72	4	290	0.8	60
415	4	125	2	250	0.55	70
690	2	250	0.55	140	0.27	70
-	-	440	0.1	44	-	-

Ordering information for accessories IEC and UL Interlocks



OSZT1L

Mechanical/electrical interlock kit

OTDC switch-disconnectors can be interlocked in the ON and OFF-position using padlocks or a mechanical/electrical interlock kit mounted on the mechanism. The diameter of the lock bail can be max 8 mm. Kit includes the mounting hardware. Coil for the electrical interlock needs to be ordered separately.

Suitable for switches	Type	Order code
OTDC S1.0	OTDC100...250E_, OTDC100...200U_	OSZT1L
OTDC M	OTDC250...1000_F_*)	OTDCZTML

*) Limitations to use of auxiliary contacts , Max. 2 test contacts + 2 test indication contacts.



OTDCZTML

Coils for electrical interlocks

The switch can be interlocked electrically in the OFF- and ON-positions by installing a coil inside the housing of the interlock kit. The electrical interlock works using the "closed circuit principle", meaning that when the control voltage is not connected to the coil.



PDAL2

Suitable for switches	Type	Order code	Weight/ unit kg
AC coils			
110 V AC, 50 Hz	PDAL2/110AC50Hz	1SCA106543R1001	0.15
110 V AC, 60 Hz	PDAL2/110AC60Hz	1SCA107100R1001	0.15
120 V AC, 60 Hz	PDAL2/120AC60Hz	1SCA111353R1001	0.15
208 V AC, 60 Hz	PDAL2/208AC60Hz	1SCA107101R1001	0.15
230 V AC, 50 Hz	PDAL2/230AC50Hz	1SCA107102R1001	0.15
240 V AC, 60 Hz	PDAL2/240AC60Hz	1SCA111356R1001	0.15
DC coils			
24 V DC	PDAL2/24DC	1SCA106542R1001	0.15
48 V DC	PDAL2/48DC	1SCA107103R1001	0.15
110 V DC	PDAL2/110DC	1SCA107105R1001	0.15
125 V DC	PDAL2/125DC	1SCA111338R1001	0.15
220 V DC	PDAL2/220DC	1SCA112503R1001	0.15
Technical data for the coil			
Operating voltage	U = 0.8...1.1 x U _n		
Operating ambient temperature	-40 °C...+65 °C		
Power consumption	with AC 6.5 W with DC 9 VA		

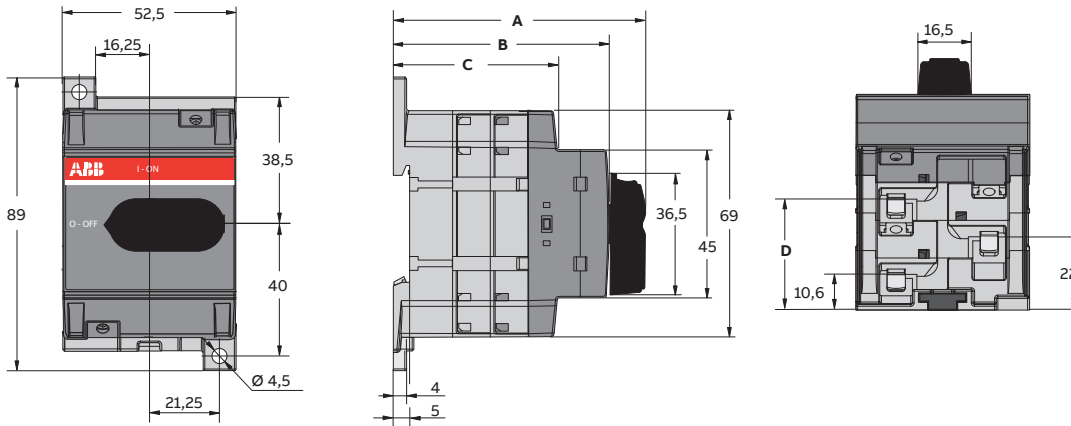
07

Dimensional drawings

Dimensional drawings

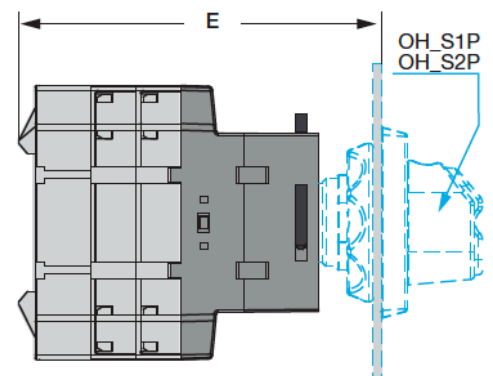
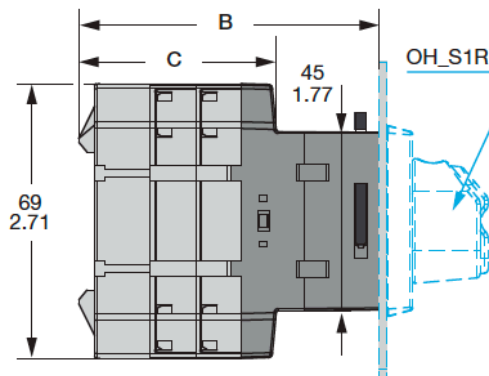
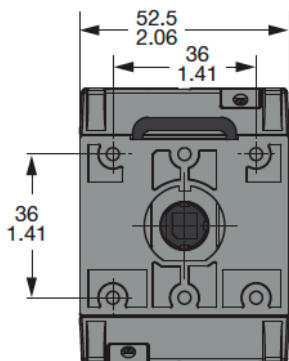
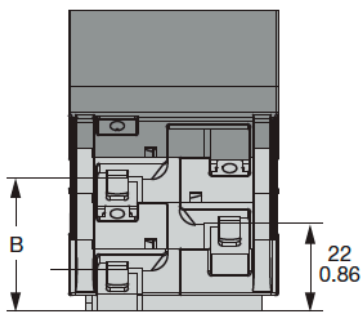
OTDC XS-Series 16...32 Amperes (IEC)

OTDC16, 25, 32F_



Number of poles	A	B	C	D
2	66,2	54,1	38,3	22
3	77,6	65,5	49,7	33,4
4	89	76,9	61,1	44,8

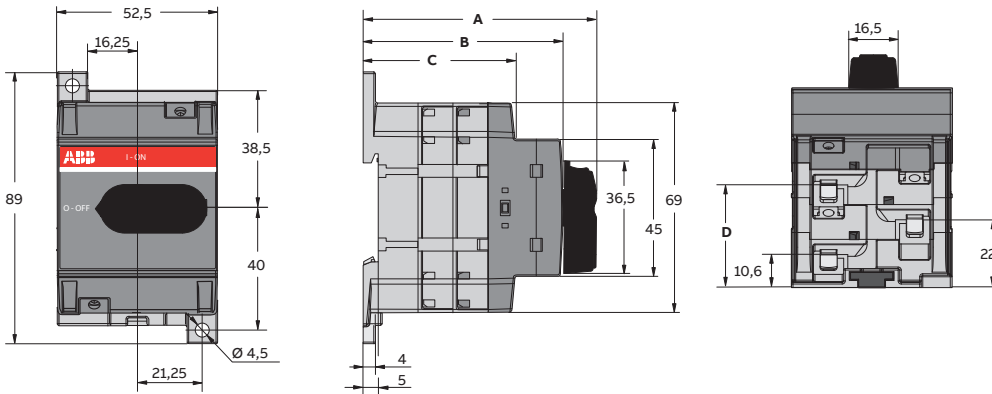
OTDC16, 25, 32FT_



Dimensional drawings

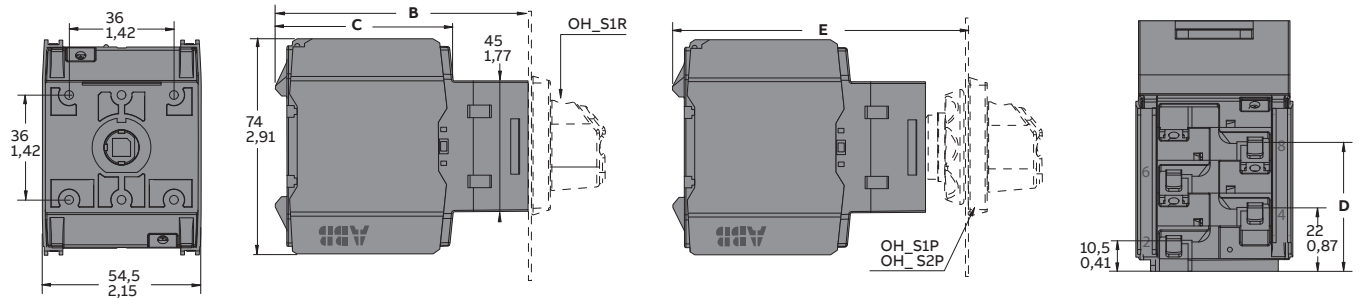
OTDC XS-Series 16...32 Amperes (IEC and UL)

OTDC 16, 25, 32U_



[mm/in]	02	04	06
A	64/2,52	87/3,43	109,5/4,31
B	54/2,13	77/3,03	100/3,94
C	38,5/1,52	61/2,40	84/3,31
D	22/0,87	45/1,77	67,5/2,66

OTDC 16, 25, 32U_T_

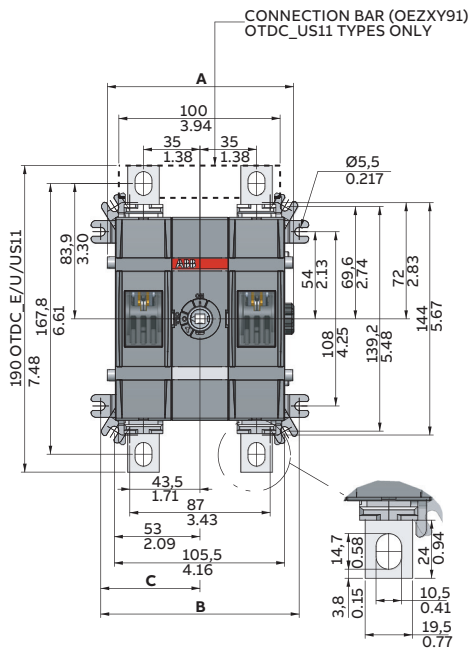


[mm/in]	02	04	06
B	64/2,52	87/3,43	110/4,33
C	38/1,50	61/2,40	84/3,31
D	22/0,87	45/1,77	68/2,68
E	79/3,11	102/4,02	124,5/4,9

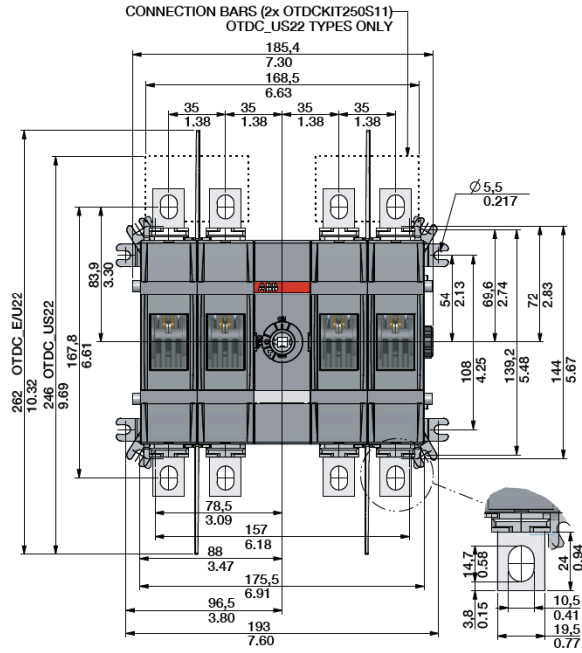
Dimensional drawings

OTDC S1.0 - 100...250 Amperes (IEC and UL)

OTDC100, 160, 200, 250E11/_22, OTDC100, 200U11/_22



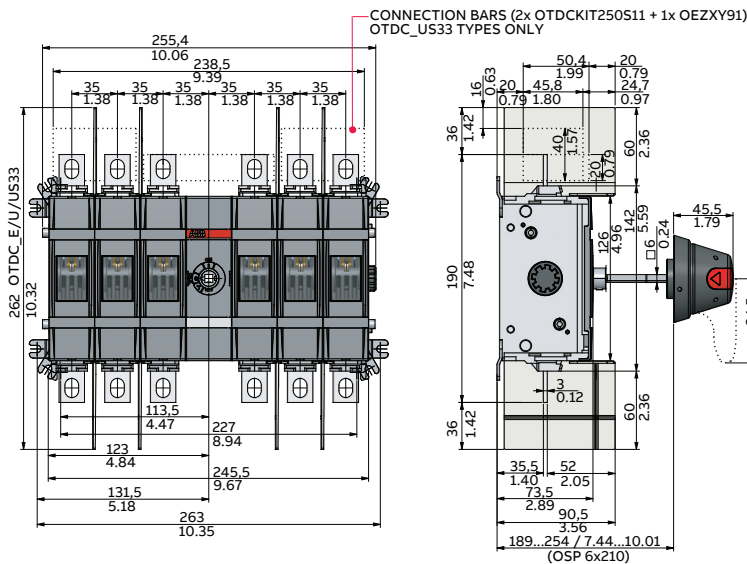
OTDC100..250E11, OTDC100..200U11



OTDC100..250E22, OTDC100..200U22

[mm/in]	11	22
A	115,4/4.54	185,4/7.30
B	123/4.84	193/7.60
C	61,5/2.42	96,5/3.80

OTDC100...250E33, OTDC100...200U33



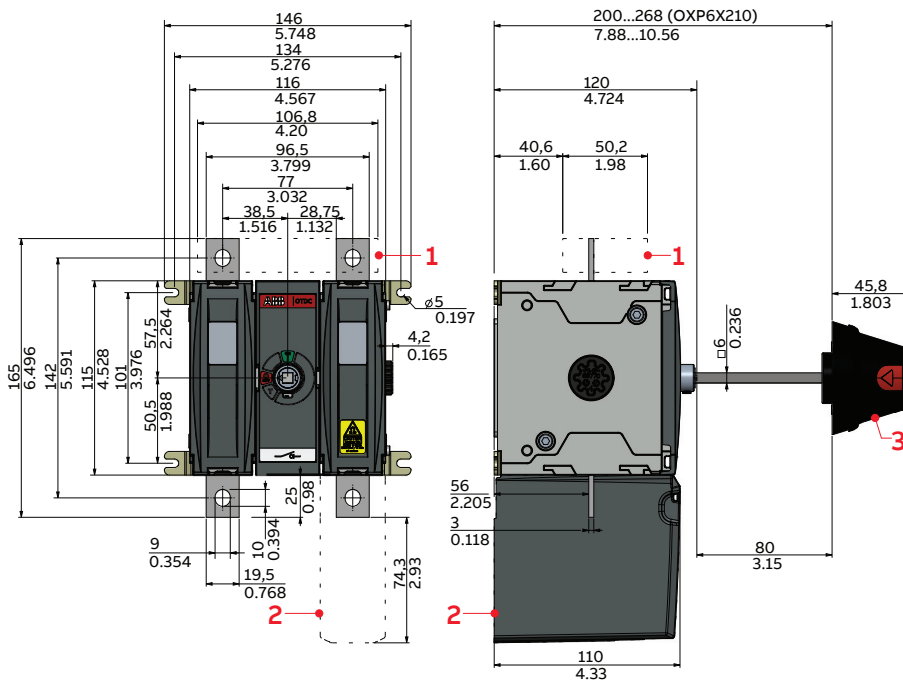
OTDC100...250E33, OTDC100...200U33

Dimensional drawings

OTDC S2.0 - 100...250 Amperes (IEC and UL)

OTDC100, 160, 200, 250G_11, OTDC100, 200, 250UG_11

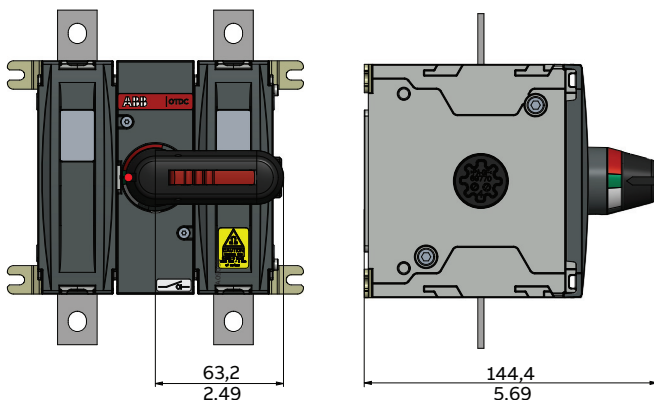
OTDC100, 160, 200, 250G_11-ESS, OTDC100, 200, 250UG_11-ESS



Pos.	Accessory	Description
1	Connection bar kit	OTDCKIT250GS101
2	Terminal shroud	OTDCS200GG1
3	Handle	OH_65

OTDC100...250GV_K

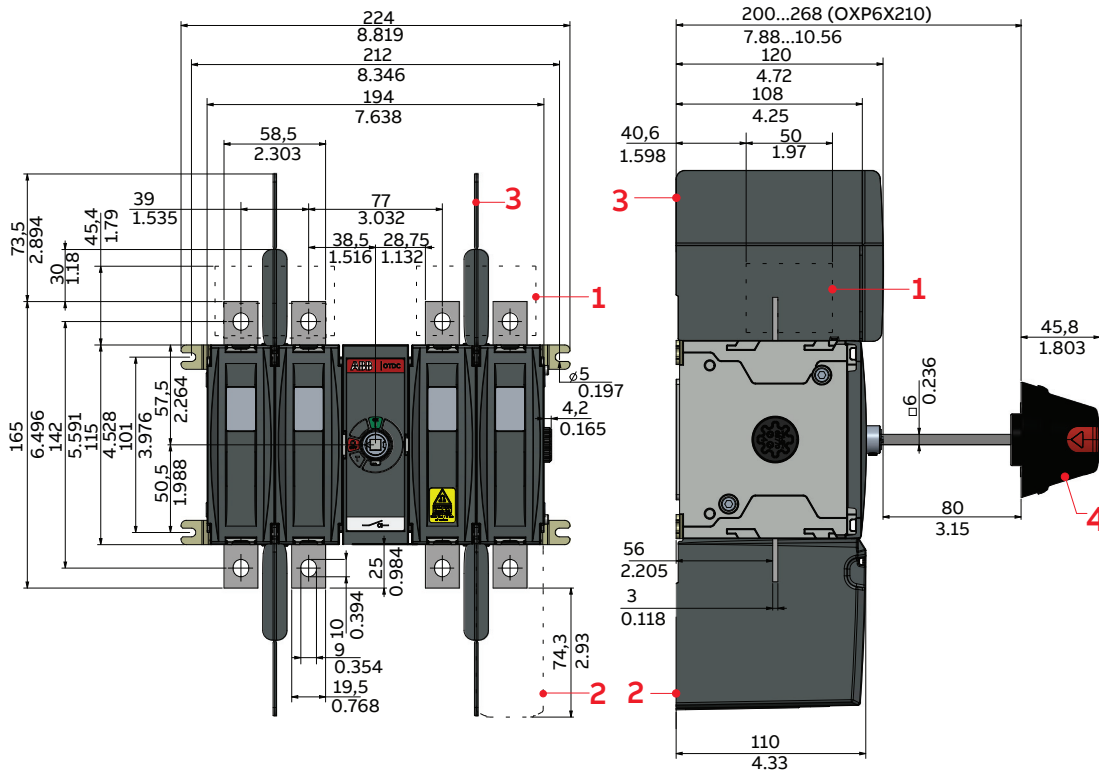
OTDC100...250UGV_K



Dimensional drawings

OTDC S2.0 - 100...250 Amperes (IEC and UL)

OTDC100, 160, 200, 250G_22
 OTDC100, 200, 250UG_22



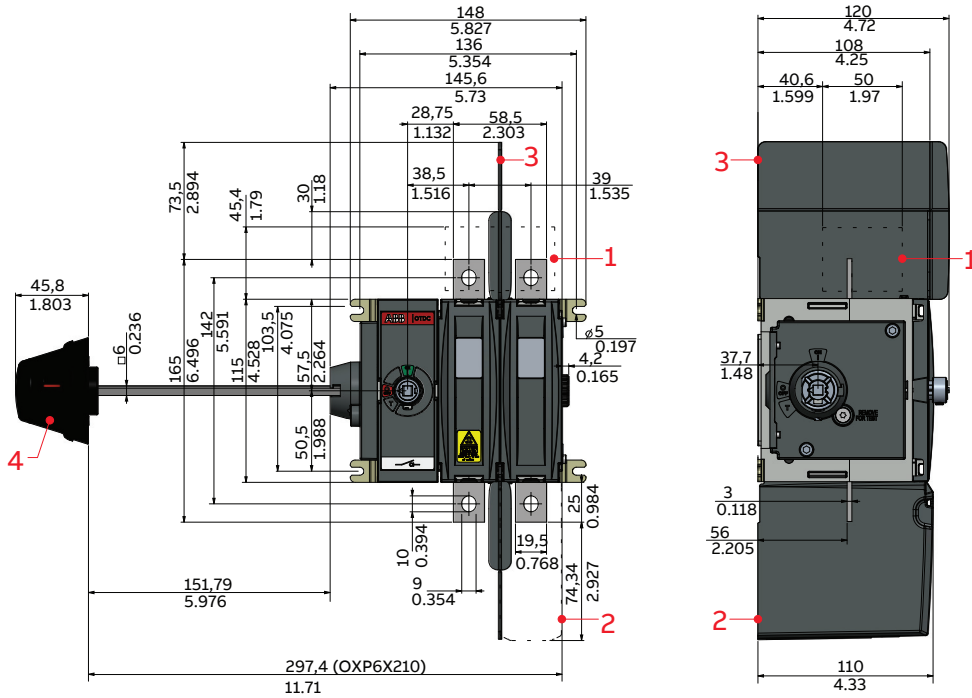
Pos.	Accessory	Description
1	Connection bar kit	OTDCKIT250GS11
2	Terminal shroud	OTDCS200GG1
3	Phase barrier	OTDCB200/2
4	Handle	OH_65

Dimensional drawings

OTDC S2.0 - 100...250 Amperes (IEC and UL)

OTDC100, 160, 200, 250G_02S

OTDC100, 200, 250UG_02S

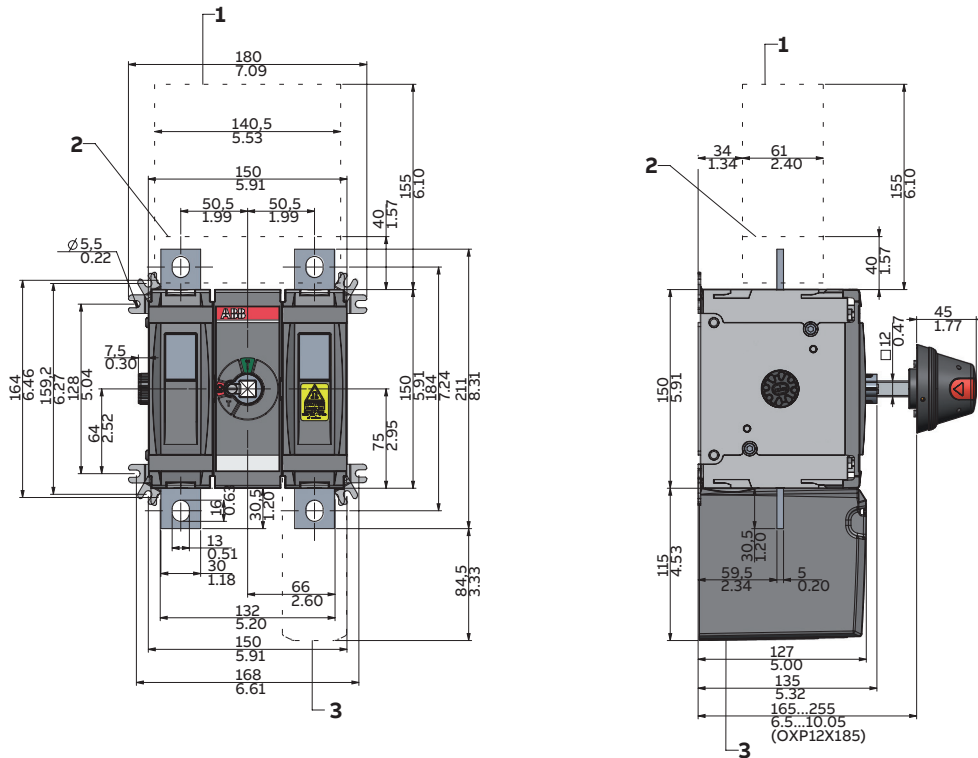


Pos.	Accessory	Description
1	Connection bar kit	OTDCKIT250GS11
2	Terminal shroud	OTDCS200GG1
3	Phase barrier	OTDCB200/2
4	Handle	OH_65

Dimensional drawings

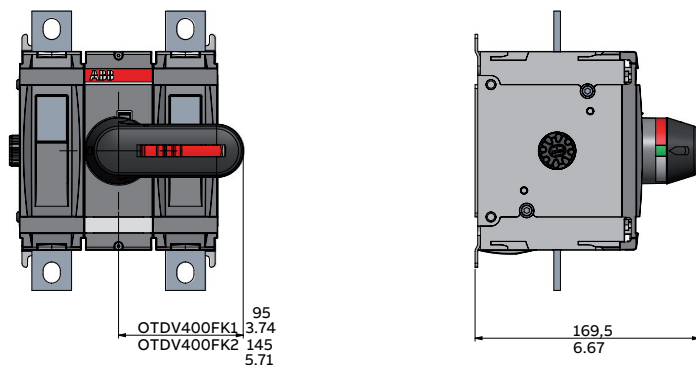
OTDC M - 250...1000 Amperes (IEC and UL)

OTDC315, 400, 500, 630, 800F_11, OTDC250, 320, 400, 600UF_11
 OTDC315, 400, 500, 630F_11-ESS, OTDC250, 320, 400UF_11-ESS



Pos.	Accessory	Description
1	Connection bar	OTDCKIT600FS101, OTDC600UF_11 only
2	Connection bar	OTDCKIT400FS101, OTDC250...400UF_11 only
3	Terminal shroud	OTDCS400FG1, OTDCS400FT1
4	Handle	In OTDC315...800F_P and OTDC250...600UF_P types

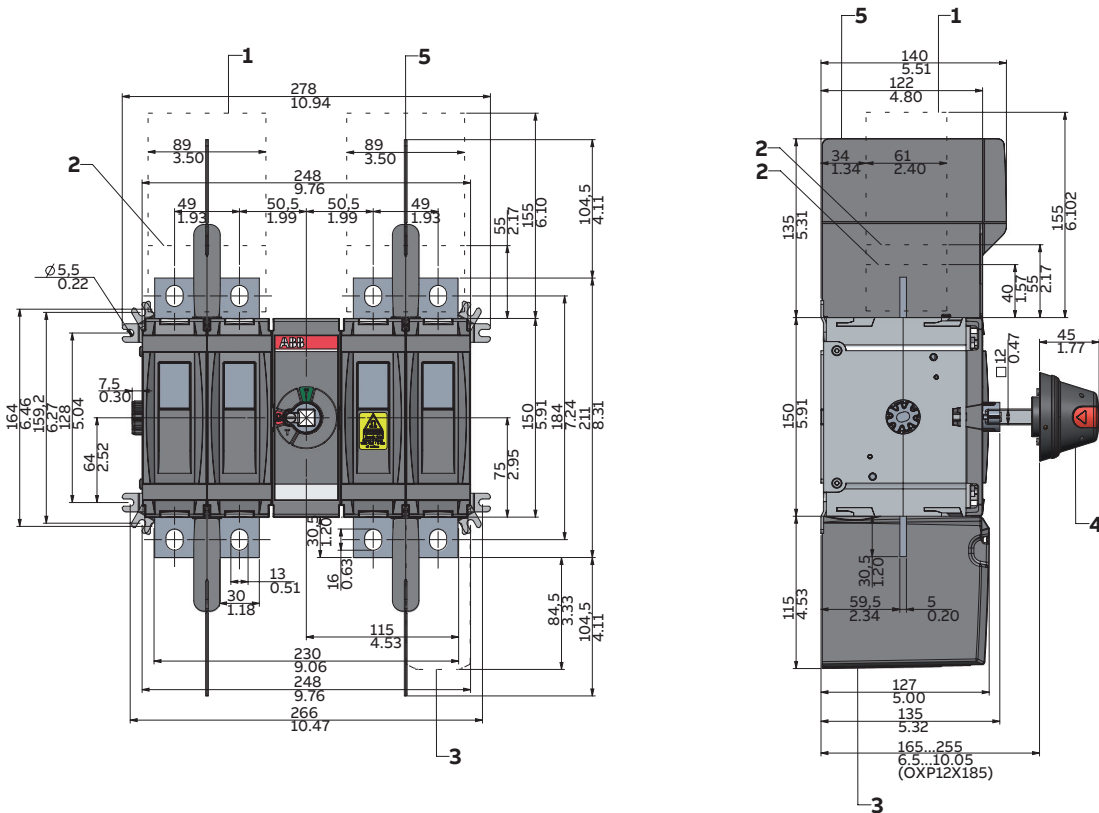
OTDC315...800F_K_, OTDC250...600UF_K_



Dimensional drawings

OTDC M - 250...1000 Amperes (IEC and UL)

OTDC315, 400, 500, 630F_22
 OTDC250, 320, 400, 600UF_22

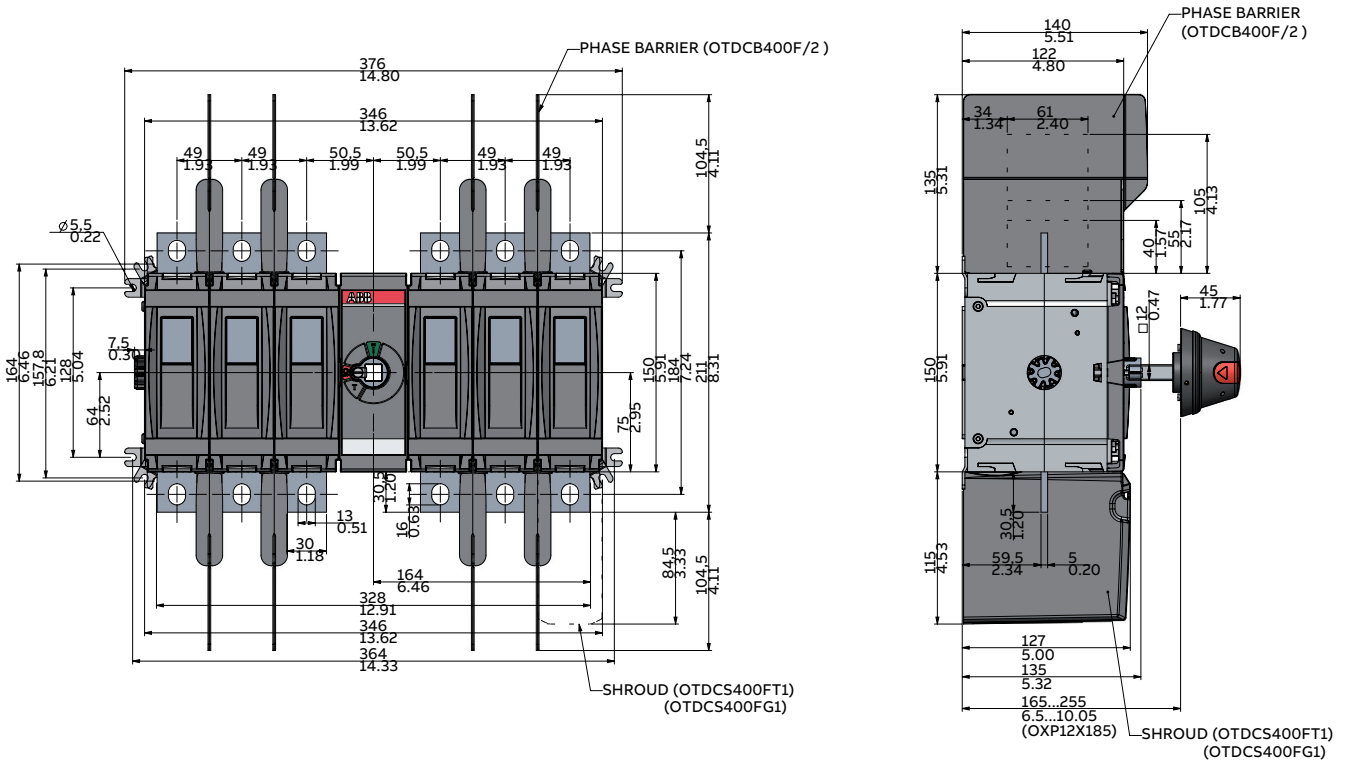


Pos.	Accessory	Description
1	Connection bar	OTDCKIT600FS11, OTDC600UF_22 only
2	Connection bar	OTDCKIT400FS11, OTDC250...400UF_22 only
3	Terminal shroud	OTDCS400FG1, OTDCS400FT1
4	Handle	In OTDC315...630F_P and OTDC250...600UF_P types
5	Phase barrier	OTDCB400F/2

Dimensional drawings

OTDC M - 250...1000 Amperes (IEC)

OTDC315, 400, 500F_33

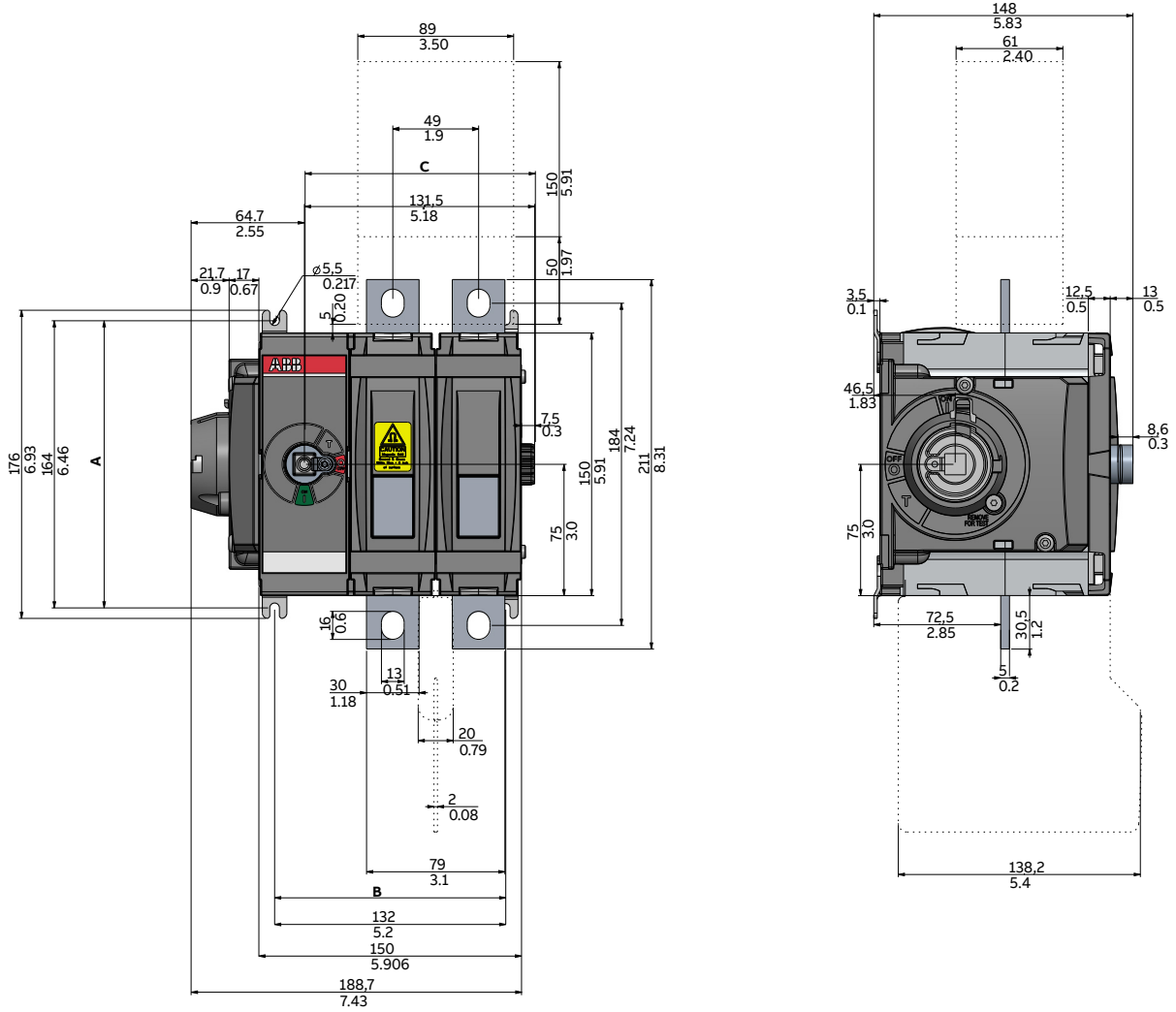


Pos.	Accessory	Description
3	Terminal shroud	OTDCS400FG1, OTDCS400FT1
4	Handle	In OTDC315...500F_P and OTDC250...600UF_P types
5	Phase barrier	OTDCB400F/2

Dimensional drawings

OTDC M - 250...1000 Amperes (IEC and UL)

OTDC315, 400, 500, 630FV02S
 OTDC250, 320, 400, 600UFV02S



[mm/in]	02
A	164/6.46
B	132/5.2
C	131,5/5.18

Dimensional drawings

OTDC M - 250...1000 Amperes (IEC and UL)

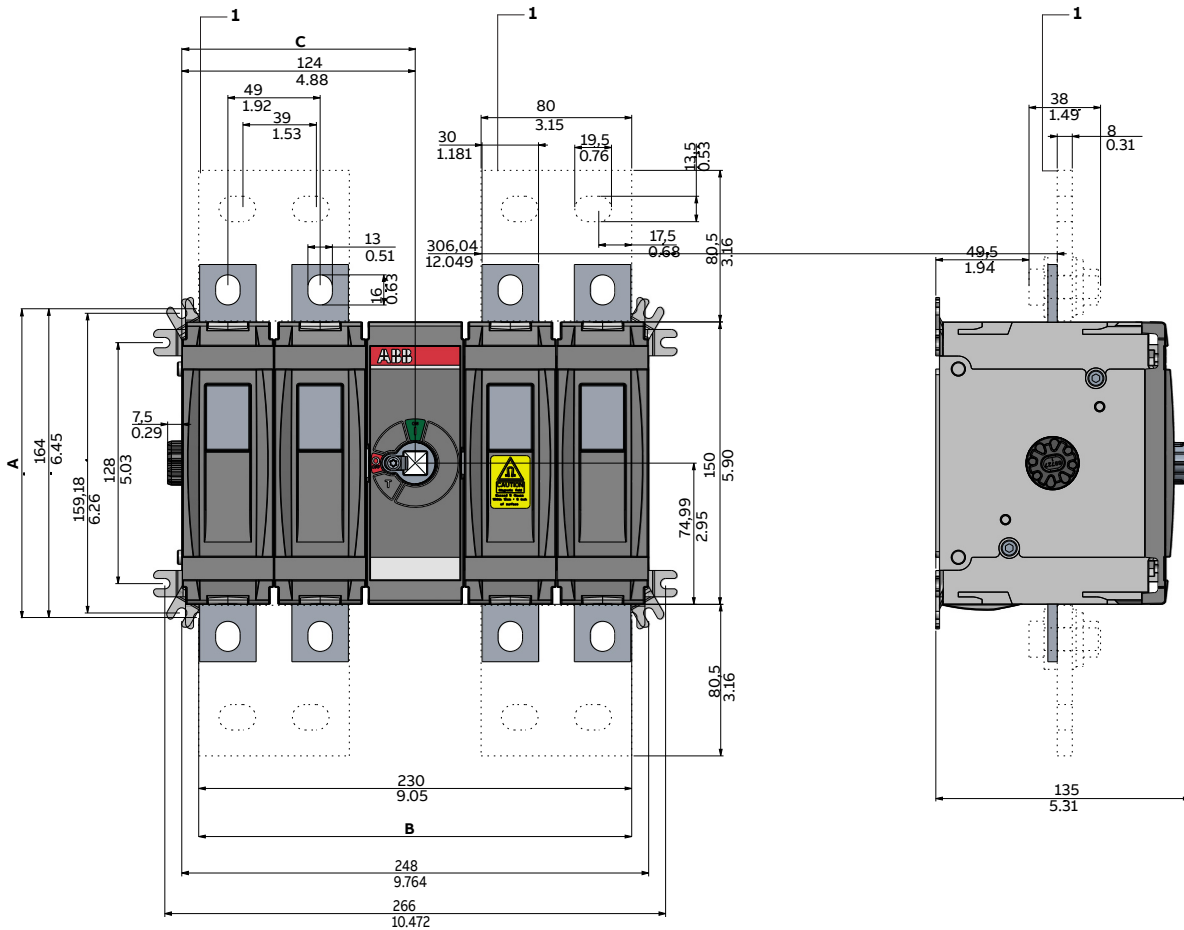
OTDC630, 800F_22-PV2

OTDC800, 1000F_22

OTDC800, 1000UF_22

OTDC800, 1000F_22-ESS

OTDC800, 1000UF_22-ESS



[mm/in]	22
A	164/6.46
B	230/9.055
C	124/4.882

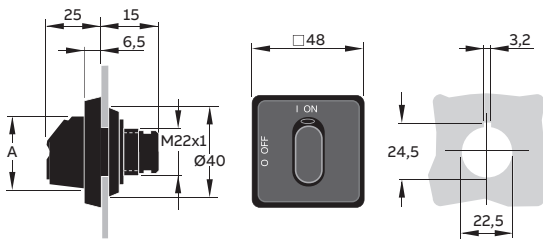
Pos.	Accessory	Description
1	Connection bar	OTDCKIT800FS11

Connection bar included with OTDC800...1000_F_22 types - installation mandatory.

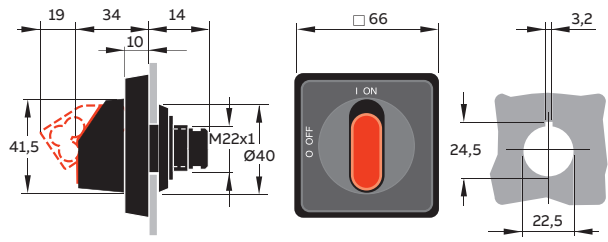
Dimensional drawings

Handles

Handles for base and DIN-rail mounted OTDC 16...32_



OH_S1A_/_OH_S3A_



OH_S2A_

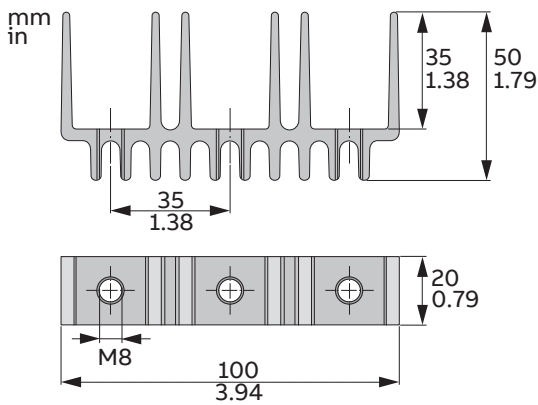
[mm]	OH_S1A_	OH_S3A_
A	31,5	37,5

Dimensional drawings

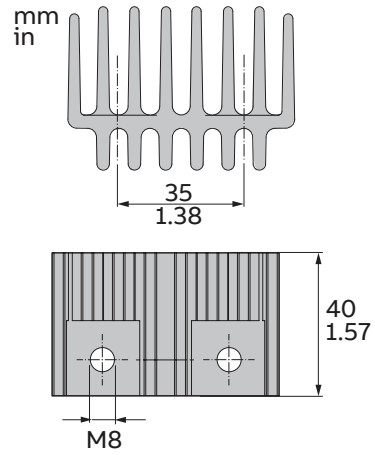
Connection Bar Kits

OTDC S1.0 - 100...250 Amperes (IEC and UL)

OEZXY91 (IEC and UL)

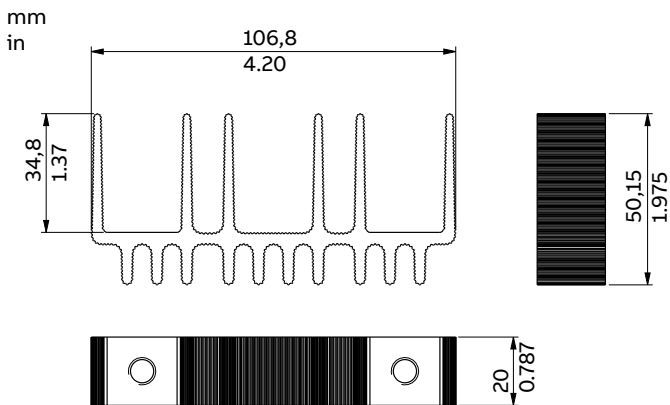


OTDCKIT250S11 (IEC and UL)

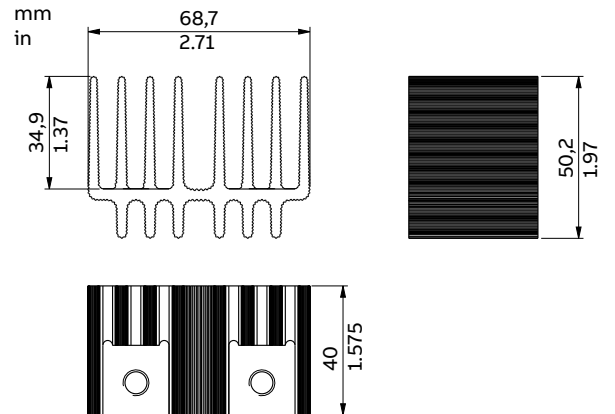


OTDC S2.0 - 100...250 Amperes (IEC and UL)

OTDCKIT250GS101



OTDCKIT250GS11

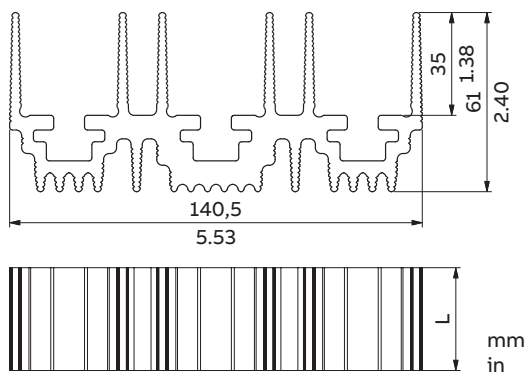


Dimensional drawings

Connection Bar Kits

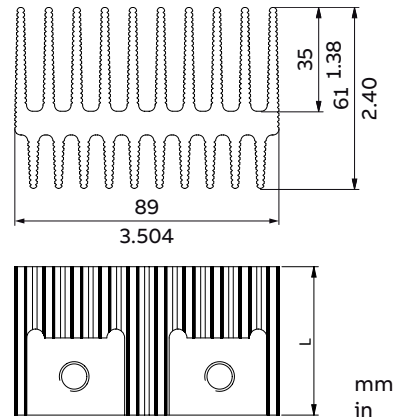
OTDC M - 250...1000 Amperes (IEC and UL)

OTDCKIT400FS101 and OTDCKIT600FS101 (IEC and UL)



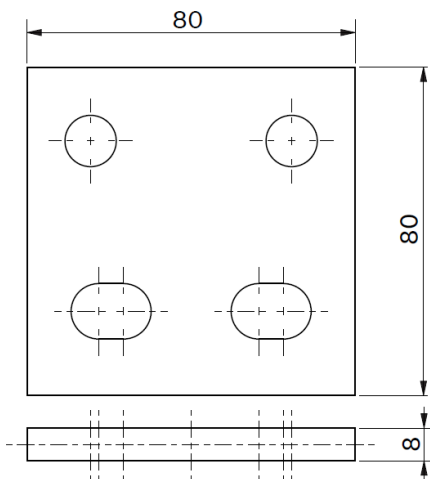
	L [mm/in]
OTDC250..400UFS(V)22	35/1.38
OTDC600UFS(V)22	150/5.91

OTDCKIT400FS11 and OTDCKIT600FS11 (IEC and UL)



	L [mm/in]
OTDC250..400UFS(V)22	50/1.97
OTDC600UFS(V)22	150/5.91

OTDCKIT800FS11 (IEC and UL)

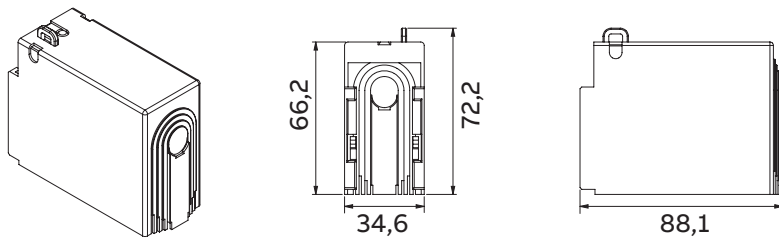


Dimensional drawings

Terminal Shrouds

OTDC S1.0 - 100...250 Amperes (IEC and UL)

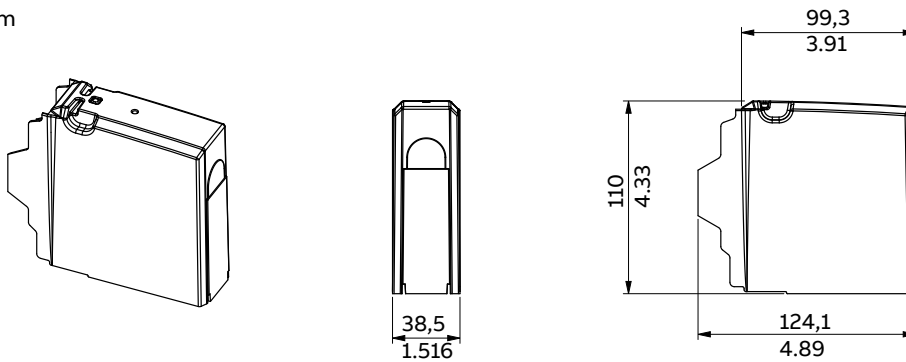
OTS250_1L/4



OTDC S2.0 - 100...250 Amperes (IEC and UL)

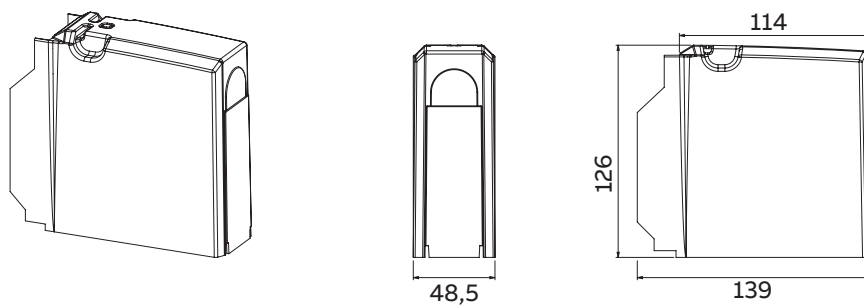
OTDCS200GG1

mm
in



OTDC M - 250...800 Amperes (IEC and UL)

OTDCS400FG1 / OTDCS400FT1

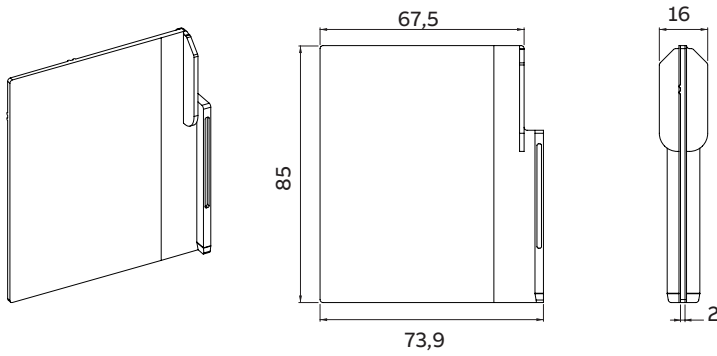


Dimensional drawings

Phase barriers

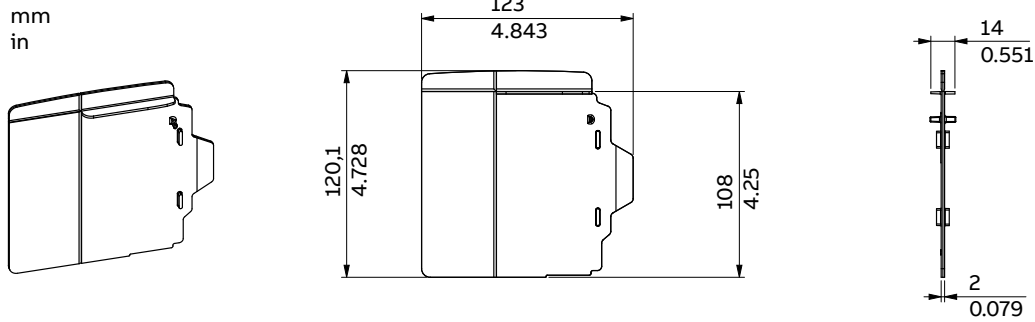
OTDC S1.0 - 100...250 Amperes (IEC and UL)

OTDCB250/2



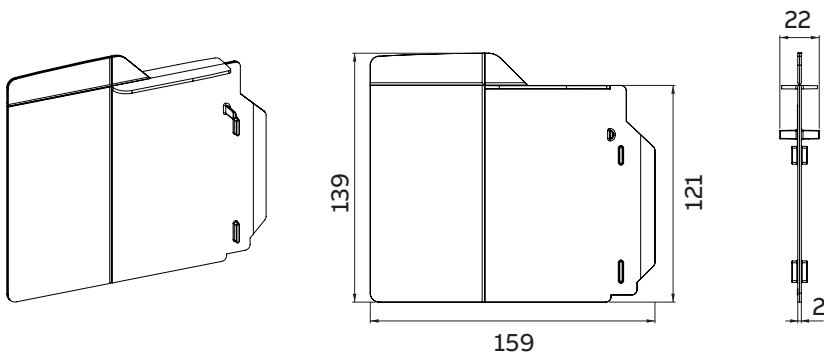
OTDC S2.0 - 100...250 Amperes (IEC and UL)

OTDCB200G/2



OTDC M - 250...630 Amperes (IEC and UL)

OTDCB400F/2

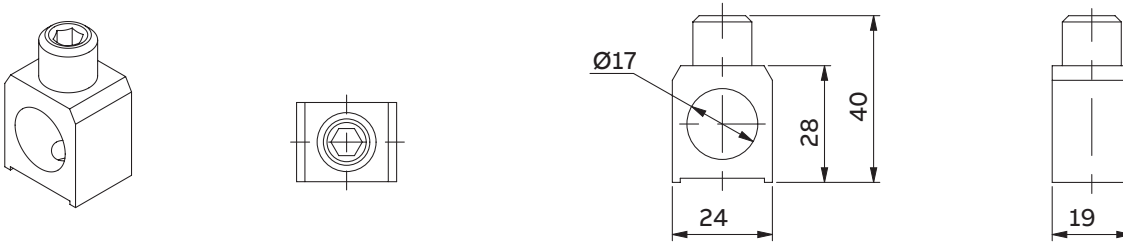


Dimensional drawings

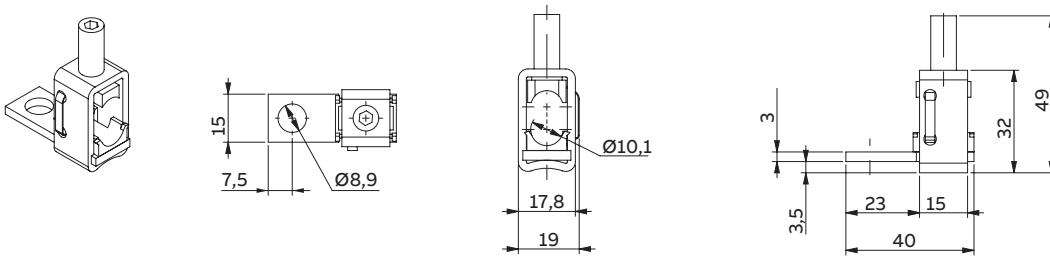
Mechanical lugs

OTDC S1.0 - 100...250 Amperes (IEC and UL)

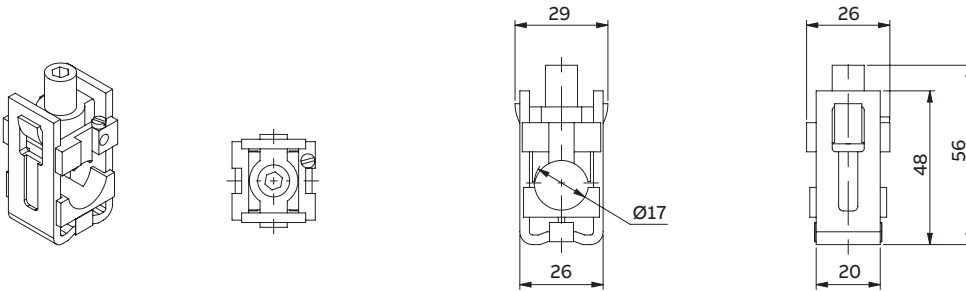
OZXA200



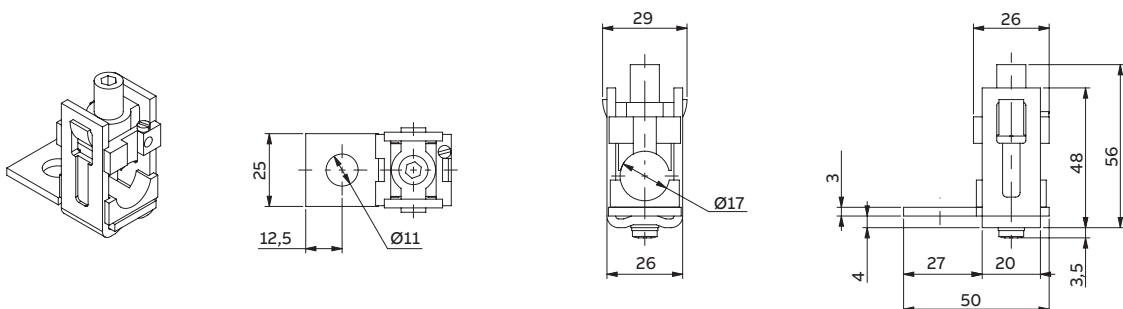
OZXB1L



OZXB2



OZXB2L



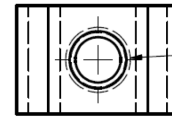
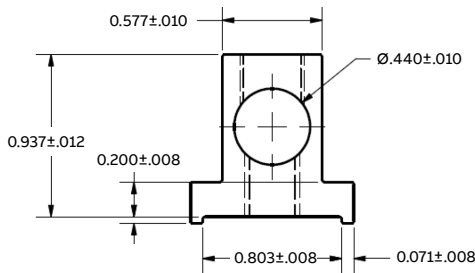
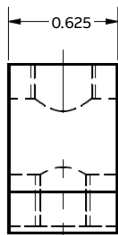
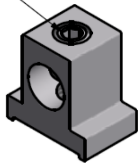
Dimensional drawings

Mechanical lugs

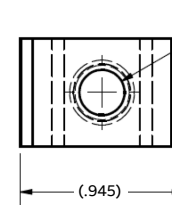
OTDC S2.0 - 100...250 Amperes (IEC and UL)

OZXA100

E1496
ASS'M FLUSH
TO TOP

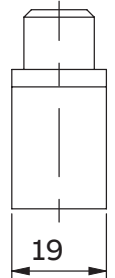
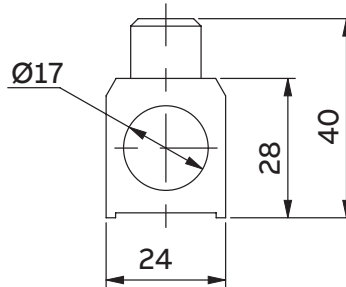
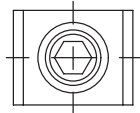
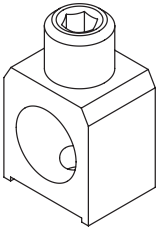


3/8-24 UNF -2B
MUST HOLD Ø.134 PIN
WITH NO LEAD GAGE

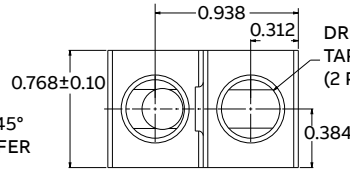
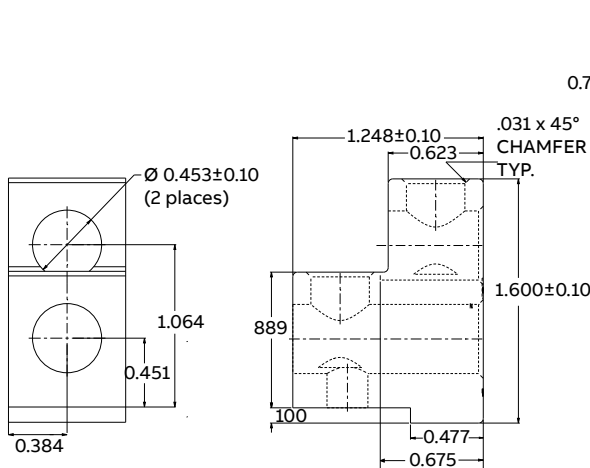
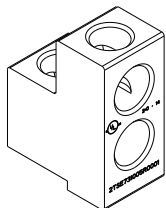


M8X1.25 - 6H

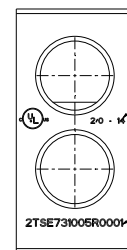
OZXA200



OZXA252



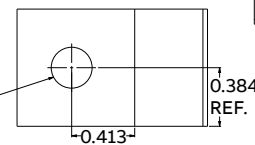
DRILL 0.383 DIA. X .625 DEEP
TAP 7 / 16 -20 UNF 2B
(2 PLACES)



MARK
APPROXIMATELY
AS SHOWN

PART NO.

M8 x 1.25 ISO - H TAP
THRU 6.8 DRILL (0.268)
THRU - (I) HOLE



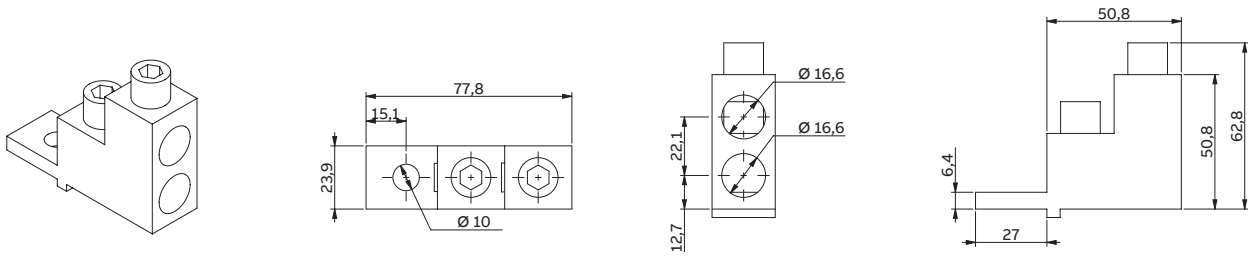
NOTE:
I. NO BURRS OR SHARP
EDGES PERMISSIBLE

Dimensional drawings

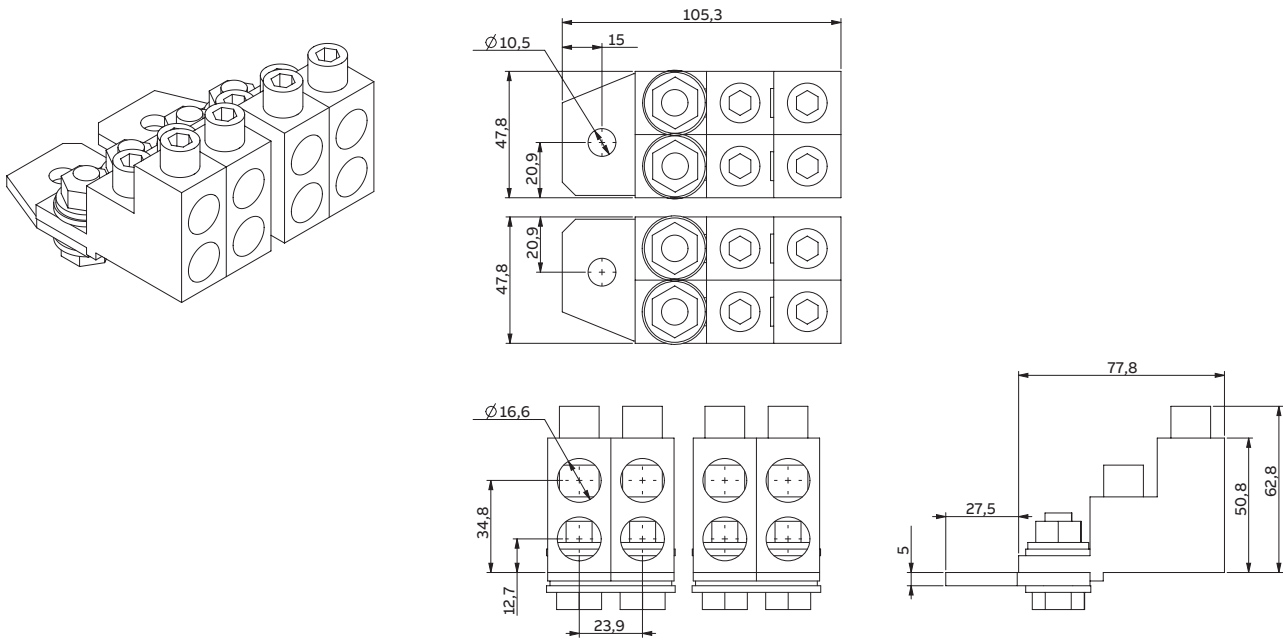
Mechanical lugs

OTDC M - 315...1000 Amperes (IEC and UL)

OZXA402



OZXA604



OZXA804



Additional resources

OTDC switch-disconnectors



– **Do you need additional information? Visit our websites to find out more**

OTDC Switch-disconnectors Website



Low Voltage Solutions for Solar Power Website



OT Disconnectors 1600...4000 A, DC-20



Low Voltage Solutions for Energy Storage Systems (ESS) Website



– **Installation instructions**

Installation instructions for OTDC XS-Series
OTDC16...32U_



Installation instructions for OTDC S2.0-Series
(OTDC100...250_G_)



Installation instructions for OTDC XS-Series
OTDC16...32F_



Installation instructions for OTDC M-Series
(OTDC315...800F_/OTDC250...600UF_)



Installation instructions for OTDC S1.0-Series
(OTDC100...250E_/OTDC100...200U)



Installation instructions for OTDC M-Series
(OTDC800...1000F_/OTDC800...1000UF_)



Additional information

We reserve the right to make technical changes or modify the contents of this document without prior notice. With regard to purchase orders, the agreed particulars shall prevail. ABB does not accept any responsibility whatsoever for potential errors or possible lack of information in this document.

We reserve all rights in this document and in the subject matter and illustrations contained therein. Any reproduction, disclosure to third parties or utilization of its contents – in whole or in parts – is forbidden without prior written consent of ABB.



—

**ABB Electrification,
Smart Power**

www.abb.com

Find the address of your local sales
organization on the ABB homepage:

www.abb.com/contacts

> Low Voltage Products and Systems