

1SET152006R0000 ✓ ACTIVE

ENTRELEC

TE Internal #: 1SET152006R0000

Crimp Wire Pins, Tabs & Ferrules, Tab, Tab Width 4.06 mm [.16 in],
Tab Thickness 1.02 mm [.04 in], 12 – 10 AWG Wire Size, 2.62 – 6.64
mm² Wire Size

[View on TE.com >](#)



Terminals & Splices > Crimp Wire Pins, Tabs & Ferrules



Crimp Wire Pin, Tab & Ferrule Terminal Type: **Tab**

Tab Width: **4.06 mm [.16 in]**

Tab Thickness: **1.02 mm [.04 in]**

Accepts Wire Insulation Diameter Range: **3.8 – 6.4 mm, 6.4 mm [.149 – .251 in, .25 in]**

Wire Size: **12 – 10 AWG**

Features

Product Type Features

Shape Description	WIRE PIN-004
Sealable	No
Wire Insulation Support Retention Type	Insulation Support

Configuration Features

Compatible With Wire & Cable Type	Discrete Wire
-----------------------------------	---------------

Body Features

Plating Thickness	3.81 µm[150 µin]
Sleeve Material	Copper
Sleeve Plating Material	Tin
Insulation Sleeve Material	Nylon
Double Wire	No
Insulation Color	Yellow
Insulation Material	Nylon

Contact Features

Terminal Length	12.4 mm[.487 in]
Crimp Wire Pin, Tab & Ferrule Terminal Type	Tab
Tab Thickness	1.02 mm[.04 in]
Barrel Type	Closed
Terminal Plating Material	Tin
Terminal Orientation	Straight

Termination Features

Bullet Terminal	Without
-----------------	---------

Mechanical Attachment

Wire Insulation Support	With
-------------------------	------

Dimensions

DIN Wire Size	2.5 – 6 mm ²
Tab Width	4.06 mm[.16 in]
Accepts Wire Insulation Diameter Range	3.8 – 6.4 mm, 6.4 mm[.149 – .251 in][.25 in]
Wire Size	5180 – 13100 CMA
Barrel Inside Diameter	6.4 mm[.253 in]
Terminal Material Thickness	1 mm[.039 in]
Overall Product Length	29.21 mm[1.15 in]

Usage Conditions

Insulation Option	Partially Insulated
Operating Temperature Range	105 °C[221 °F]

Operation/Application

Heavy Duty	No
------------	----

Packaging Features

Packaging Quantity	500
Packaging Method	Loose Piece

Other

Barrel Color	Yellow
--------------	--------

Product Compliance






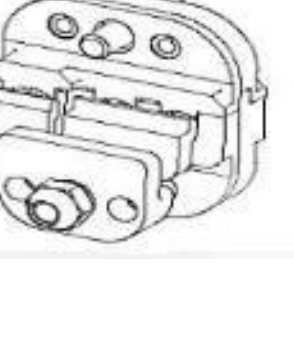

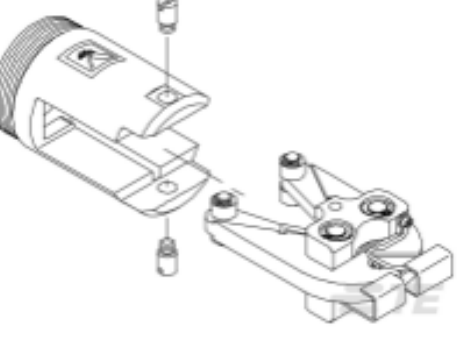
[For compliance documentation, visit the product page on TE.com>](#)

EU RoHS Directive 2011/65/EU	Compliant
EU ELV Directive 2000/53/EC	Compliant
China RoHS 2 Directive MIIT Order No 32, 2016	No Restricted Materials Above Threshold
EU REACH Regulation (EC) No. 1907/2006	Current ECHA Candidate List: JUNE 2022 (224) Candidate List Declared Against: JUNE 2022 (224) Does not contain REACH SVHC
Halogen Content	Low Halogen - Br, Cl, F, I < 900 ppm per homogenous material. Also BFR/CFR/PVC Free
Solder Process Capability	Not applicable for solder process capability

Product Compliance Disclaimer

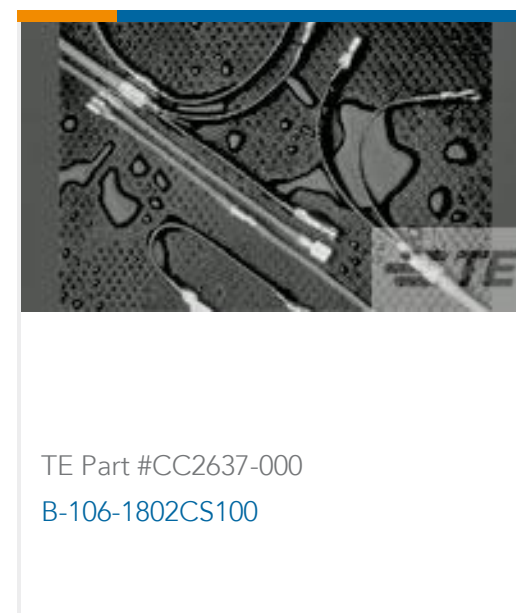
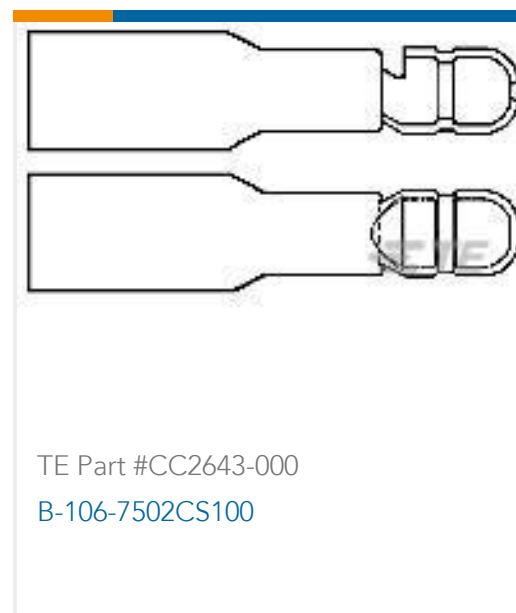
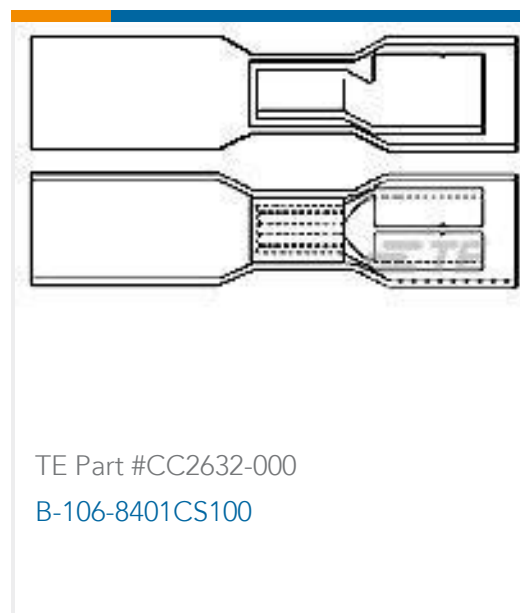
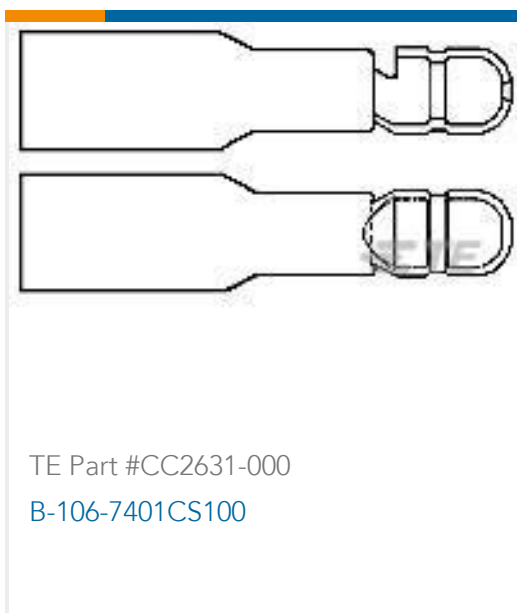
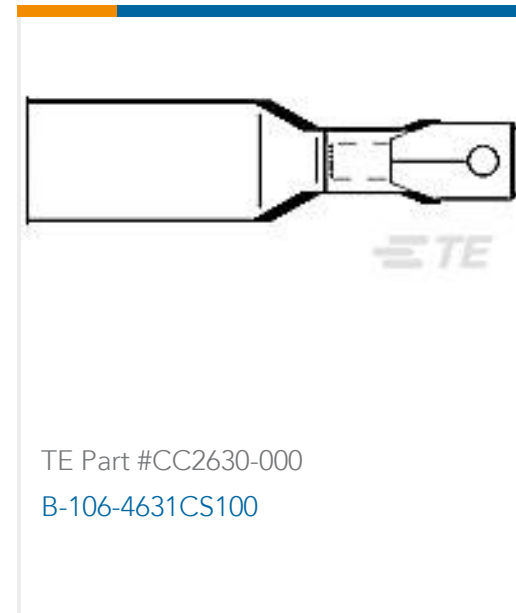
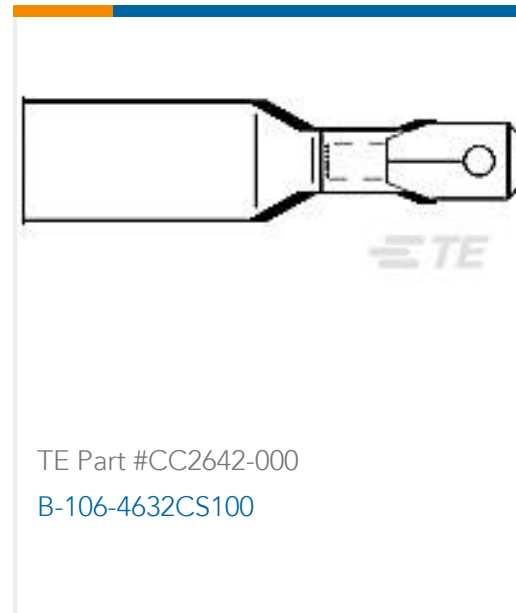
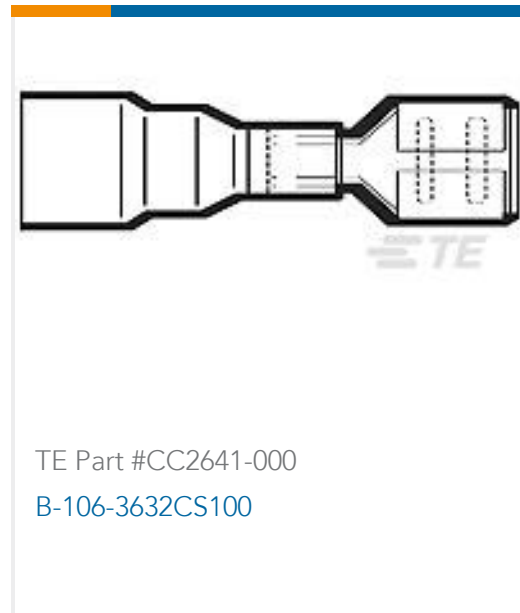
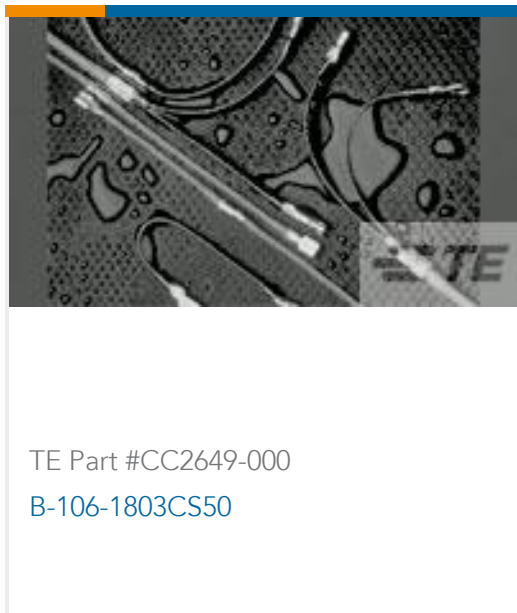
This information is provided based on reasonable inquiry of our suppliers and represents our current actual knowledge based on the information they provided. This information is subject to change. The part numbers that TE has identified as EU RoHS compliant have a maximum concentration of 0.1% by weight in homogenous materials for lead, hexavalent chromium, mercury, PBB, PBDE, DBP, BBP, DEHP, DIBP, and 0.01% for cadmium, or qualify for an exemption to these limits as defined in the Annexes of Directive 2011/65/EU (RoHS2). Finished electrical and electronic equipment products will be CE marked as required by Directive 2011/65/EU. Components may not be CE marked. Additionally, the part numbers that TE has identified as EU ELV compliant have a maximum concentration of 0.1% by weight in homogenous materials for lead, hexavalent chromium, and mercury, and 0.01% for cadmium, or qualify for an exemption to these limits as defined in the Annexes of Directive 2000/53/EC (ELV). Regarding the REACH Regulation, the information TE provides on SVHC in articles for this part number is based on the latest European Chemicals Agency (ECHA) 'Guidance on requirements for substances in articles' posted at this URL: <https://echa.europa.eu/guidance-documents/guidance-on-reach>

Compatible Parts

 <p>TE Part # 59824-1 TETRA-CRIMP PIDG PG FASTON 22-10 ASSY</p>	 <p>TE Part # 58433-3 PRO CR ASSY, RBY IS9252</p>	 <p>TE Part # 59239-4 HHHT PIDG PG 12-10 ASSY</p>	 <p>TE Part # 58423-1 DIE, RBY IS9252</p>
 <p>TE Part # 539691-2 ERGO DIE R.B.Y</p>	 <p>TE Part # 2063030-1 SDE DIESET, RBY, UL</p>	 <p>TE Part # 47808-6 DIES PIDG 12-10 DIE SET</p>	 <p>TE Part # 679300-1 1210 PIDG CRIMP HEAD</p>



Customers Also Bought



Documents

Product Drawings

WPF060-N

English

CAD Files

3D PDF

3D

Customer View Model

ENG_CVM_CVM_1SET152006R0000_A.2d_dxf.zip



English

Customer View Model

[ENG_CVM_CVM_1SET152006R0000_A.3d_igs.zip](#)

English

Customer View Model

[ENG_CVM_CVM_1SET152006R0000_A.3d_stp.zip](#)

English

By downloading the CAD file I accept and agree to the [Terms and Conditions](#) of use.

Datasheets & Catalog Pages

[Infographic - entrelec ews-linecard](#)

English

[PIDG TERMINALS & SPLICES Quick Reference Guide](#)

English

[Essential Entrelec Terminal Blocks](#)

French

[Essential Entrelec Terminal Blocks](#)

English

Product Specifications

[Application Specification](#)

English