


| | | |
|---------------------------|--------------------------------|---|
| 24420058 | DATA SHEET |  |
| Valid from: 18.09.2020 | EPIC® POWER LS1 A3 5+PE | |

Description

- Circular connectors for servomotors and power supply
- High power at smallest installation space
- Optimal solution for electric motors
- EMC-optimised design
- Safety use in field environment by high protection class



General Characteristics

| | |
|-------------------------------|--|
| Series | POWER LS 1 |
| Version | Angled, rotatable for male contacts |
| Pin configuration | 5+PE |
| Rated voltage (V) | 630 V |
| Rated impulse voltage | 6 kV |
| Rated current (A) | 25 A |
| Contact resistance | < 4 mOhm |
| Contacts included | Yes |
| Contacts | Gold plated brass |
| Number of contacts | 5+PE |
| Termination methods | Crimp termination: 0.5 - 2.5 mm ² |
| Cable clamping range | Ø 2,7 mm (4x) |
| Protection | IP 65 |
| Cycle of mechanical operation | 500 |
| Temperature range | -25°C to +125°C |
| Degree of soiling | 3 |

Product Variation

| | |
|----------|--|
| 24420059 | PU =20 pieces: the contacts must be ordered separately |
|----------|--|

Materials and Surfaces

| | |
|---------|--|
| Housing | Blue chromated (CrVI free), zinc die-casting |
| Insert | PA |
| Seal | FPM |

Approvals


| | |
|----------------|---------|
| UL-File-Number | E249137 |
|----------------|---------|

Standard

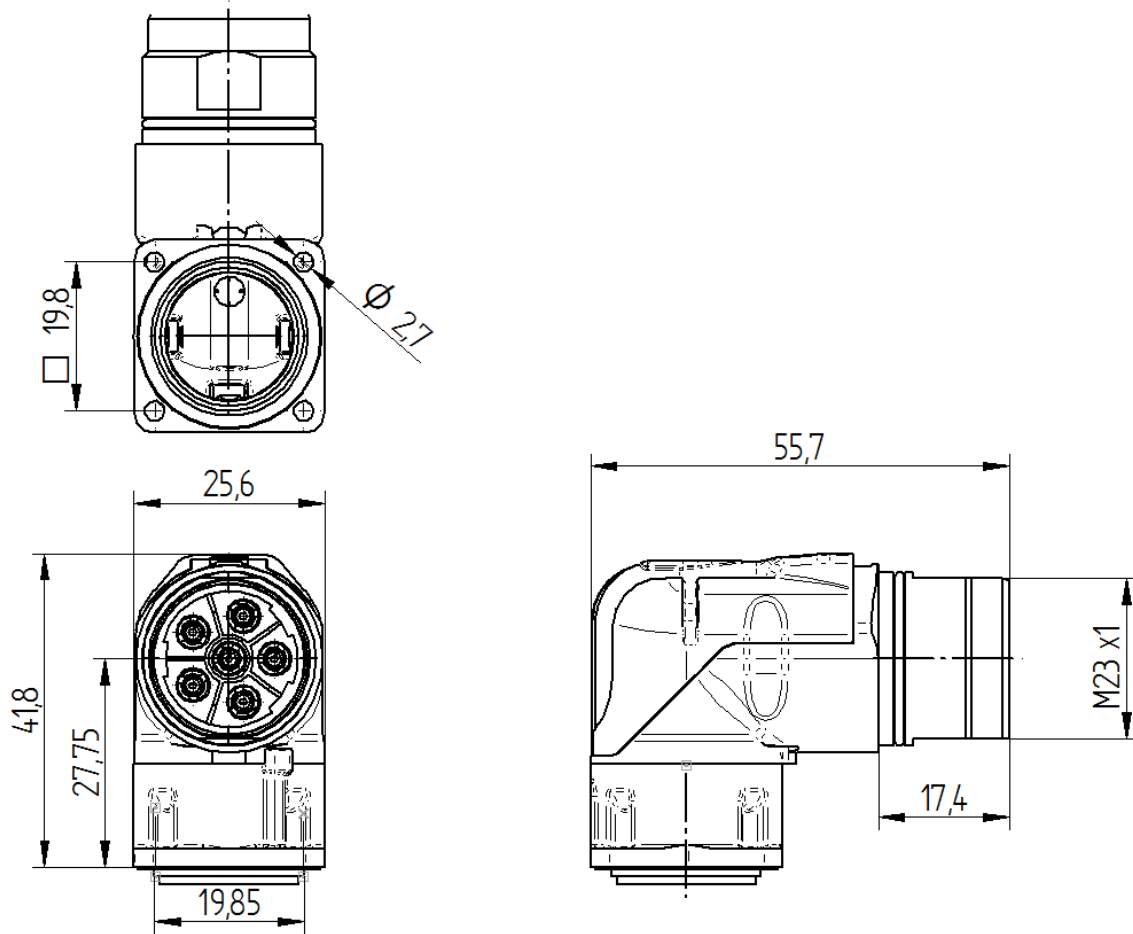
| | |
|-----------------|------------------------------------|
| Safety Standard | IEC 61984; UL 2238; CSA 22.2 182.3 |
|-----------------|------------------------------------|



| | | |
|---|---------------------------------------|-------------|
| Creator: STKU3/PDP Released: IVSE1/PDP | Document: DB24420058EN Version: 04 | Page 1 of 3 |
|---|---------------------------------------|-------------|

| | | |
|---------------------------|-------------------------|---|
| 24420058 | DATA SHEET |  |
| Valid from: 18.09.2020 | EPIC® POWER LS1 A3 5+PE | |

Technical Drawings



Good chemical resistance



Corrosion-resistant



Industrial machinery and plant engineering




Maximum vibration protection



Mechanical resistance

| | | |
|---|---------------------------------------|-------------|
| Creator: STKU3/PDP Released: IVSE1/PDP | Document: DB24420058EN Version: 04 | Page 2 of 3 |
|---|---------------------------------------|-------------|

| | | |
|---------------------------|--------------------------------|---|
| 24420058 | DATA SHEET |  |
| Valid from: 18.09.2020 | EPIC® POWER LS1 A3 5+PE | |



Assembly time



Space requirement



Robust



Waterproof



Wind Energy



Variety of approval certifications

Info

Rotateable with clearly defined adjustment positions

Application range

Plant engineering

Servo drives and servo assemblies

Remark

Photographs are not to scale and do not represent detailed images of the respective products.

| | | |
|---|---------------------------------------|-------------|
| Creator: STKU3/PDP Released: IVSE1/PDP | Document: DB24420058EN Version: 04 | Page 3 of 3 |
|---|---------------------------------------|-------------|